



YOSHIMURA

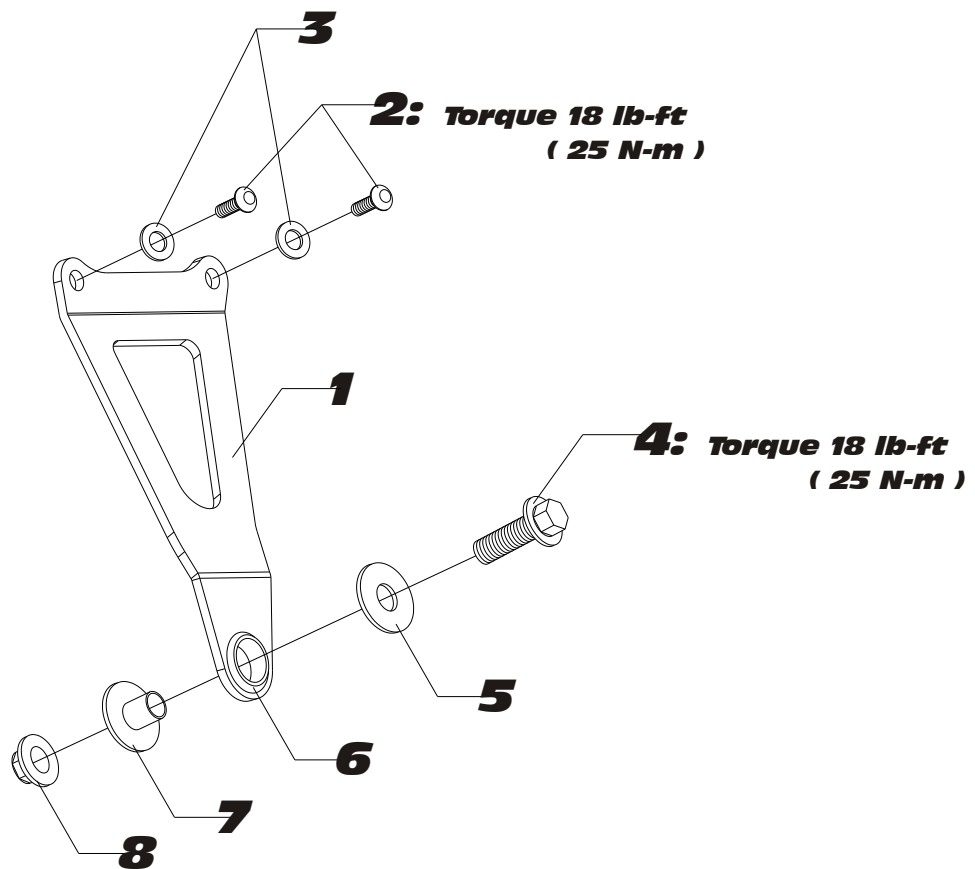
RESEARCH&DEVELOPMENT OF AMERICA, INC.

Aluminum Muffler Bracket Kit

Kawasaki
2008-2012
Ninja 250R

1407AB

YOSHIMURA MUFFLER BRACKET KIT



Part List:

NO.	DESCRIPTION	QTY	PART #
1	Muffler Hanger Bracket	1	1407AB-B-00
2	8mm x 20mm Button Head Screw	2	M8X20BHS
3	8mm Flat Washer	2	8MMWASHER-SS
4	10mm x 30mm Flange Bolt	1	M10X30H
5	10mm x 30mm Flat Washer	1	10X30WSH
6	Rubber Grommet	1	Z1022
7	Aluminum Insert	1	ALS-018
8	10mm Flange Nut	1	10MMFNUT
**	Yoshimura Sticker	1	17029