

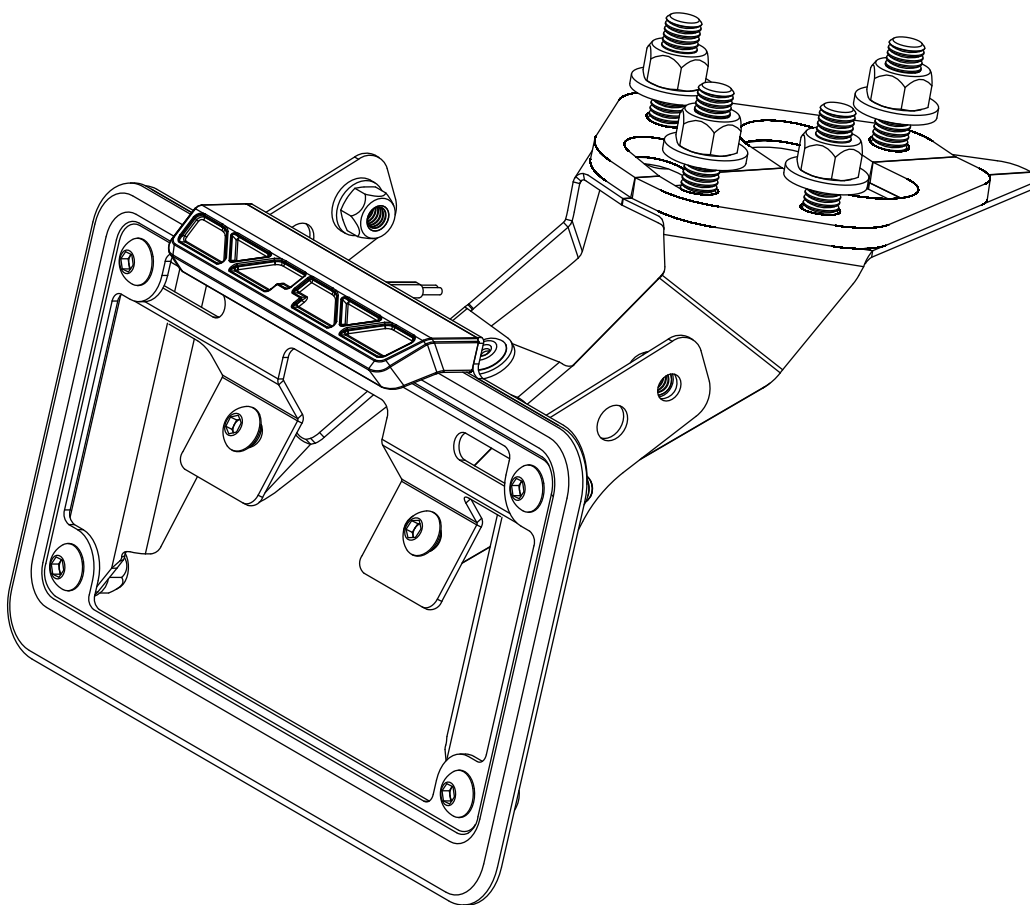


# YOSHIMURA

## **FENDER ELIMINATOR KIT**

**070BG196751**

**Triumph Daytona 675/R  
Street Triple**

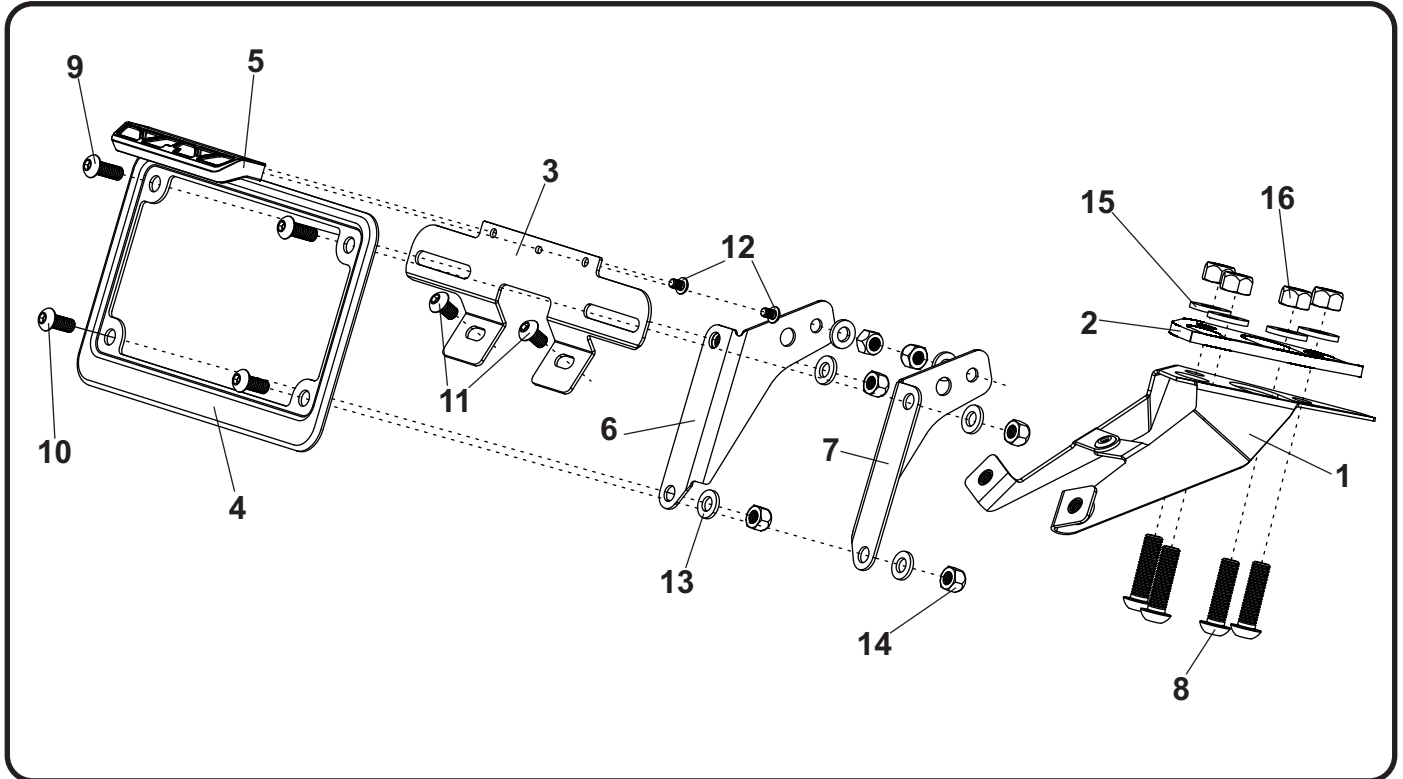


**THIS PRODUCT IS NOT DOT APPROVED.**

Yoshimura R&D of America, Inc. is not liable or responsible for any resulting event caused by the installation of this product. Check with local laws and regulations for compliance prior to installation and use. This product is not intended for use on public highways.



## Assembly Diagram

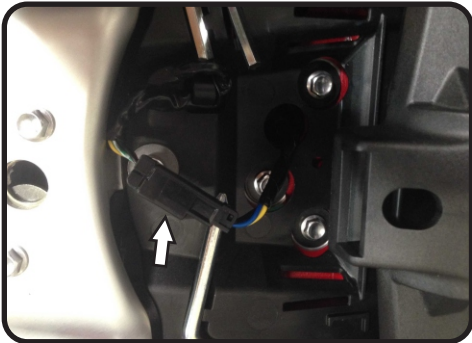


No.	Item	Description	Qty.
1	19675-FEBKT2	Fender Eliminator Bracket	1
2	19675-FEBKT3	Fender Eliminator Bracket Spacer	1
3	12200-FEBKT	License Plate Bracket	1
4	070BG-LPF	License Plate Frame	1
5	070BG-LH-K1	LED Light	1
6	19675-TSB-L	Left Turn Signal Bracket	1
7	19675-TSB-R	Right Turn Signal Bracket	1
8	M8X30BHS	8mm x 30mm Button Head Screw	4
9	M6X16BHS	6mm x 16mm Button Head Screw	2
10	M6X14BHS	6mm x 14mm Button Head Screw	2
11	M6X10BHS	6mm x 10mm Button Head Screw	2
12	M4X6BHS	4mm x 6mm Button Head Screw	2
13	6MMWASHER	6mm Washer	6
14	6MMLN	6mm Nylon Lock Nut	6
15	8MMWASHER	8mm Washer	4
16	8MMLN	8mm Nylon Lock Nut	4
**	17029	Yoshimura Sticker Kit	1
**	BN-SSS-22-18	Butt Connectors	2

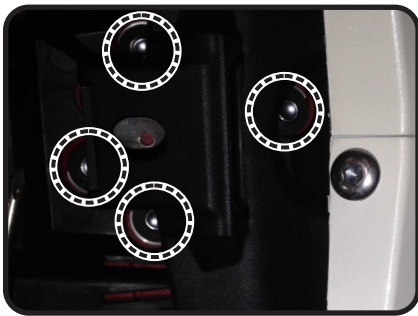
\*\*\* The Yoshimura Universal Turn Signal Bracket Kit is to be used with aftermarket stud-mounted turn signals and is sold separately.

## Removal

1. Remove passenger seat.
2. Locate and disconnect fender sub-harness connector.



3. While securely supporting the stock fender assembly, remove the four bolts securing the fender assembly to the frame. Carefully remove the stock fender assembly making sure not to damage the connectors in the process.



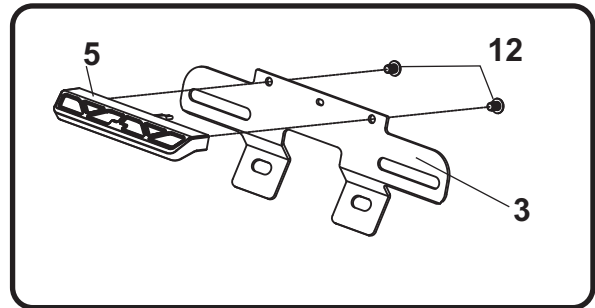
4. Remove the four fender mounting collars from subframe as they will not be used with the Yoshimura fender eliminator kit.



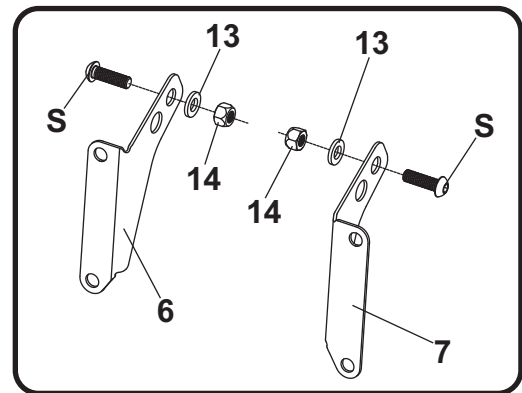
5. Disassemble the stock fender assembly and remove the left and right turn signals.
6. Cut the stock license plate light connector from the stock fender assembly. Cut wires 2-3" from the license plate light bulb.

## Installation

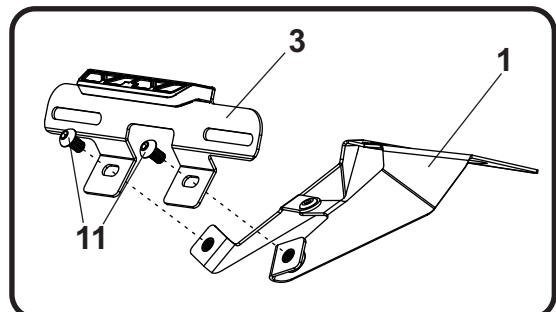
1. Install (No. 5) *070BG-LH-K1*, Yoshimura license plate light onto (No. 3) *12200-FEBKT*, Yoshimura fender eliminator bracket using (No. 12) *M4X6BHS*, 4mm button head screws provided in the kit.



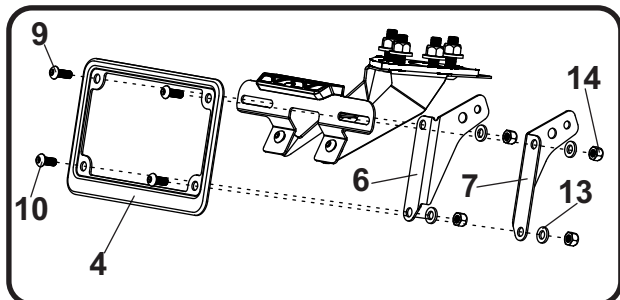
2. Install left and right turn signals onto (No. 6,7) *19675-TSB-L/R*, turn signal brackets. Secure using (S) stock bolts, (No. 13) *6MMWASHER*, 6mm washer, and (No. 14) *6MMLN*, 6mm nylon lock nut as shown.



3. Install (No. 3) *12200-FEBKT*, license plate bracket onto (No. 1) *19675-FEBKT*, fender eliminator bracket using (No. 11) *M6X10BHS*, 6mm button head screw.



4. Assemble and install (No. 4) *070BG-LPF*, license plate frame and (No. 6,7) *19675-TSB-L/R*, left and right turn signal brackets to (No. 3) *12200-FEBKT*, license plate bracket using (No. 9,10) 6mm button head screws, (No. 13) *6MMWASHER*, 6mm washers, and (No. 14) *6MMLN*, 6mm nylon lock nuts as shown below.



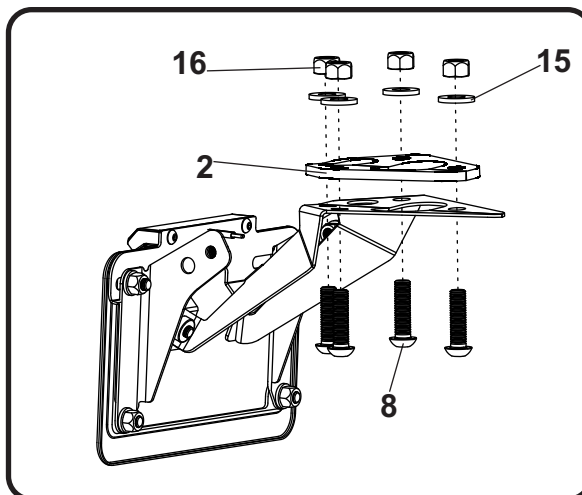
5. Connect the Yoshimura license plate light wires to the stock license plate light wires as follows:

Red -to- Yellow  
Black -to- Black

- Strip the stock fender light wire ends 1/4" - 1/2" and insert into *BN-SSS-22-18*, butt connectors provided in the kit.
- Center the spliced wire ends in the middle and using a heatgun or lighter, apply heat evenly on the outer edges of the butt connector to shrink and hold wires in place.
- Making sure that the stripped ends are centered, heat the center of the butt connector evenly until the solder begins to liquify.
- Allow to cool completely and tug both ends of the wires to verify that connection is secured.

6. Route fender sub-harness through stock location and install assembled fender eliminator bracket to subframe using (No. 8) *M8X30BHS*, 8mm button head screws, (No. 2) *19675-FEBKT3*, aluminum spacer, (No. 15) *8MMWASHER*, 8mm washer, and (No. 16) *8MMLN*, 8mm nylon lock nut as shown.

Note: The washers, nuts, and spacer are installed from above where the stock fender mounting collars were removed.



- Re-connect fender sub-harness connector and re-install passenger seat.
- Check for proper function of license plate light, turn signals, brake light, and that all brackets and components are secure prior to riding.

Shop for quality Yoshimura products on our website.

Shop for other frame & body on our website.