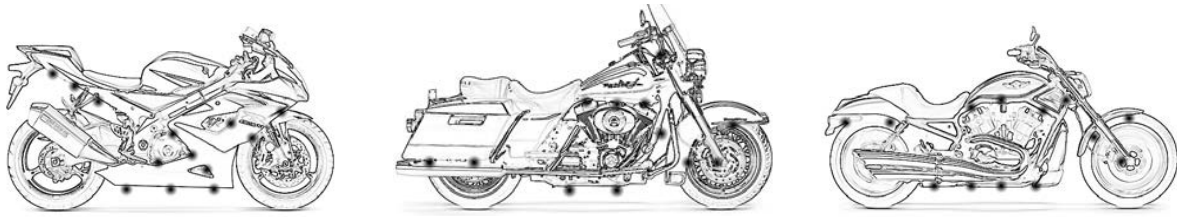
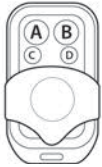


Recommended Mounting Locations



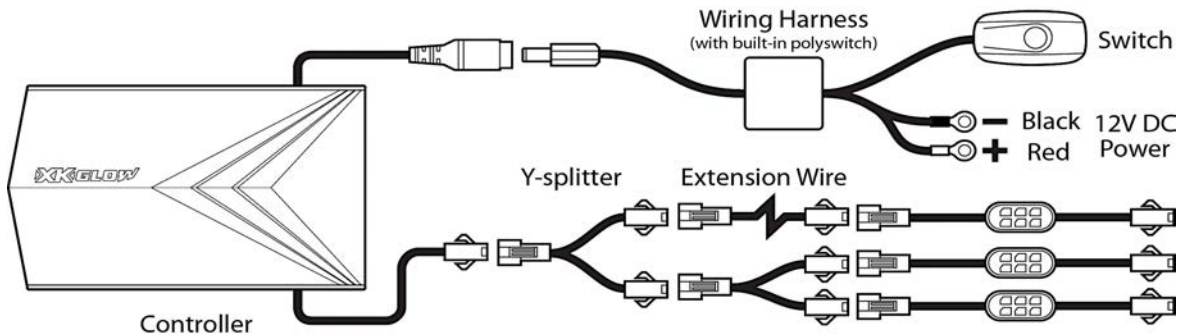
Mounting Instructions



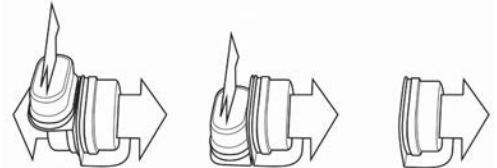
Remote Functions

- Button **A**: Solid on mode + Three level dimmable brightness adjustment
- Button **B**: Strobe mode
- Button **C**: Breath mode
- Button **D**: Turn off the entire light kit.

1. **Test all components before mounting:** As shown below, plug all light units together and connect them to the controller and the switch wiring harness. Connect the RED battery terminal to the POSITIVE pole of 12V DC battery. Connect the BLACK battery terminal to the NEGATIVE pole. Turn on the switch and push the remote buttons to exam all lights. If the light has any defective issue, please contact us and we will be happy to replace them for you.



2. **Plan mounting locations:** Disconnect the tested lights from the vehicle's battery and remove any bodywork that will have the LED lights located behind them. Clean the mounting surface. LOOSELY mount the LED PODs using double sided tape (not included) on the desired locations. Use included 90-degree brackets if you want to change the light direction (DO NOT firmly attach the lights in this step.)
3. **Mount the lights and wires:** Clean the mounting surface again. Peel off the 3M tape on the back of the light, and attach the lights to the planned locations. Firmly push the lights to make sure they are securely attached. Connect all Y-splitters, extension wires and the switch wiring harness. **(See image to the right for using multiple brackets and pods in tight locations).**



4. **Secure all wires and connectors:** Use provided zip ties and wire clips to neatly mount and hide any loose wires. Make sure they are not near any hot parts. Locate the ON/OFF switch in a dry and convenient location.
5. **Apply waterproof tape:** Pull the included waterproof tape and firmly wrap around all connectors. Once the tape shrinks, it will tightly wrap around the connectors to protect them against water and moisture.
6. **Connect to 12V DC power:** Firmly connect the wire terminals to the positive and negative poles of the battery. Slightly adjust the bracket angle for best lighting effect if necessary.





Input Voltage	Max Load	Brightness Per Pod	Controller Size	Pod Size
12V DC	80 pods	40-45lm	3.62 x 2.24 x 0.7in (92 x 57 x 18mm)	1.22 x 0.63x 0.31in (31 x 16 x 8mm)

Warranty and Disclaimer

Within One year after the purchase date, the original buyer may return any XKGLOW products that has one or more LEDs that fail to illuminate, due to a defect in materials or workmanship.

Installation of this product must be performed by a licensed professional. Should the failure of the product be the result of damage occurring as a result of improper installation, alteration of the product or an act or omission on the part of the consumer, this warranty is void. XKGLOW Lighting shall not be responsible for any consequential damages which arise from the use and/or installation of the product. If the kit is installed in any manner other than specified, XKGLOW Lighting reserves the right to deny any warranty claims at the discretion of the technical support department. Any product return must include the original packaging, invoice number and a statement of the alleged defect. Upon receipt of the returned product, the company will test the product for defect. If the results of the testing do not support the warranty claim, do not reveal any defect or indicate consumer negligence in the installation and handling of the product, then the product will be returned to you and you will be charged a reshipping fee. If the product is returned from an address within the continental United States, within the first after purchase, and is found to be defective, XKGLOW Lighting will exchange or refund the original purchase expense. This offer does not extend to the cost for shipping charges on any international packages.

Additional Disclaimer Terms

Please check your local and state laws for the proper use of this product.

- Improper installation of electrical products such as lighting may cause damage to any vehicle or device to which the improperly handled or installed lighting is attached.
- Improperly installed product may cause electrical injury to persons.
- It is recommended that the kit should be installed by a licensed professional.
- XKGLOW assumes no liability for the installation of the product.
- Warranty or liability will not exceed the product purchase price, which shall be buyer's sole and exclusive remedy.