



# INSTRUCTIONS

## DRIVING LIGHT ASSY

AUTOMOTIVE PRODUCTS, INC.

### LIGHT KIT

- 09-0105
- 09-0205
- 09-0305
- 09-0405
- 09-0500
- 09-0505



**09-0500**



**09-0505**



**09-0305**



**09-0105**



**09-0205**



**09-0405**

QTY	CONTENTS
2	LAMP ASSY
2	LAMP COVER (09-0405, 09-0205 ONLY)
1	RELAY
1	ON / OFF SWITCH ASSY
1	SWITCH ASSY CONNECTOR (WHITE, YELLOW, BLACK)
1	LAMP CONNECTION (BLACK)
1	LAMP CONNECTION ASSY (RED, BLACK, WHITE)

**NOTE: DO NOT TOUCH** bulbs with bare hands. Oils from fingers will generate hot spots which will shorten the life span of the bulb. Always use a clean soft cloth to clean or handle Halogen bulbs.

**WARNING: INSTALLING LIGHT HARNESS REQUIRES SPLICING INTO VEHICLES ELECTRICAL SYSTEM. WESTIN RECOMMENDS USING A PROFESSIONAL FOR THIS INSTALLATION. NOTE: AVOID AREAS OF EXCESSIVE HEAT, VIBRATION, PINCH OR ROTATION WHEN SECURING HARNESS TO VEHICLE.**

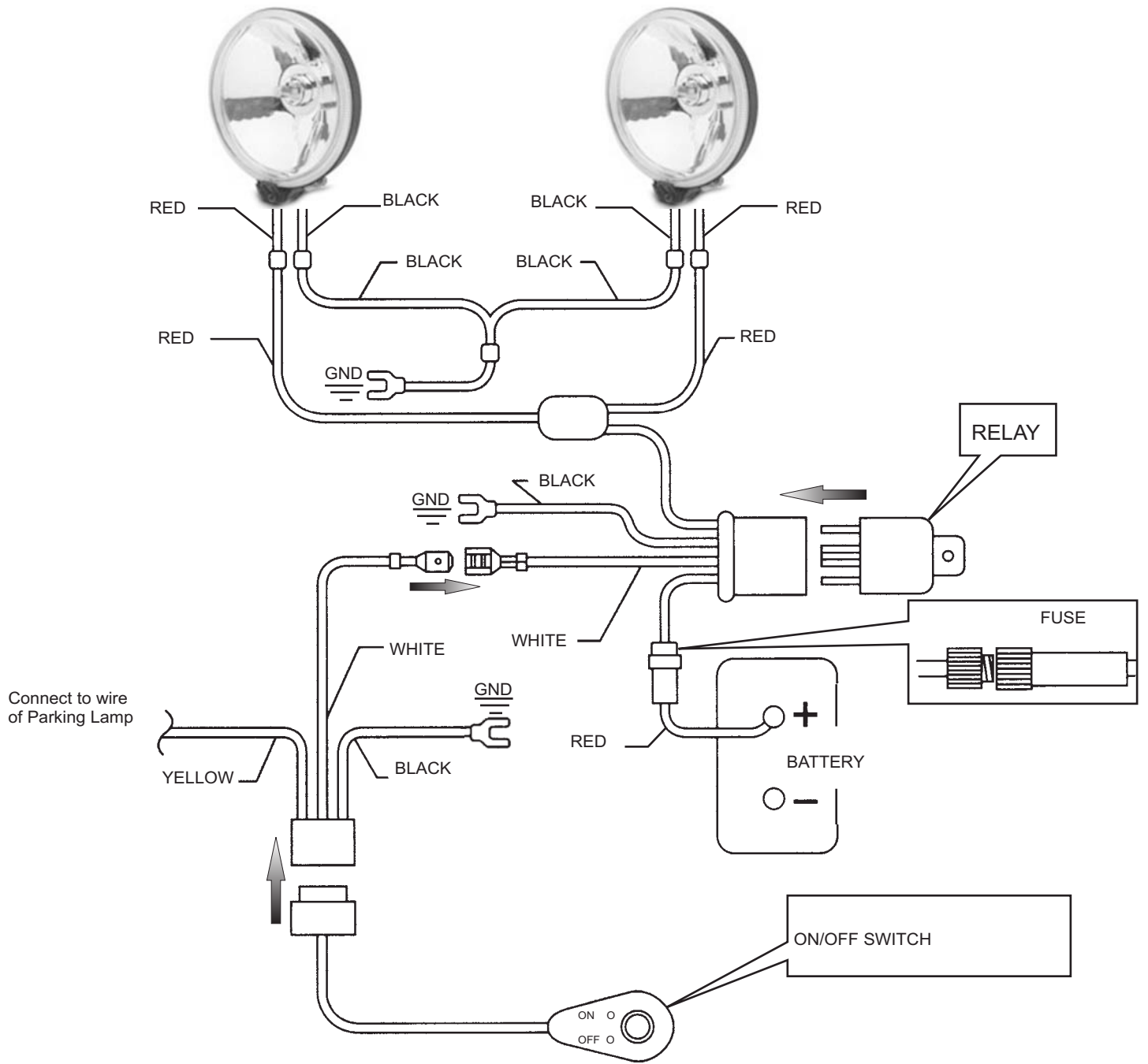
**CAUTION: ALWAYS USE A FUSED(+) POSITIVE SUPPLY SOURCE.**

### INSTALLATION INSTRUCTIONS (WESTIN ACCESSORIES):

1. Remove contents from box and check for damage. Verify all parts are present.  
Read and understand instructions before beginning.
2. Attach lights to mount tabs located on front end accessory. Carefully align and tighten.
3. Attach wiring per diagram (See Figure 1).

### INSTALLATION INSTRUCTIONS (VEHICLE ATTACHMENT):

1. Select a suitable location which will not obstruct headlamps or turn indicators.
2. Use lamp mounting bracket as template to mark hole locations.
3. Verify lamp locations prior to drilling. Drill holes for each lamp location.
4. Attach lamps. Carefully align and tighten.
5. Attach wiring per diagram (See Figure 1).



**FIGURE 1**