

V3 FRAME SLIDERS KIT 2.0

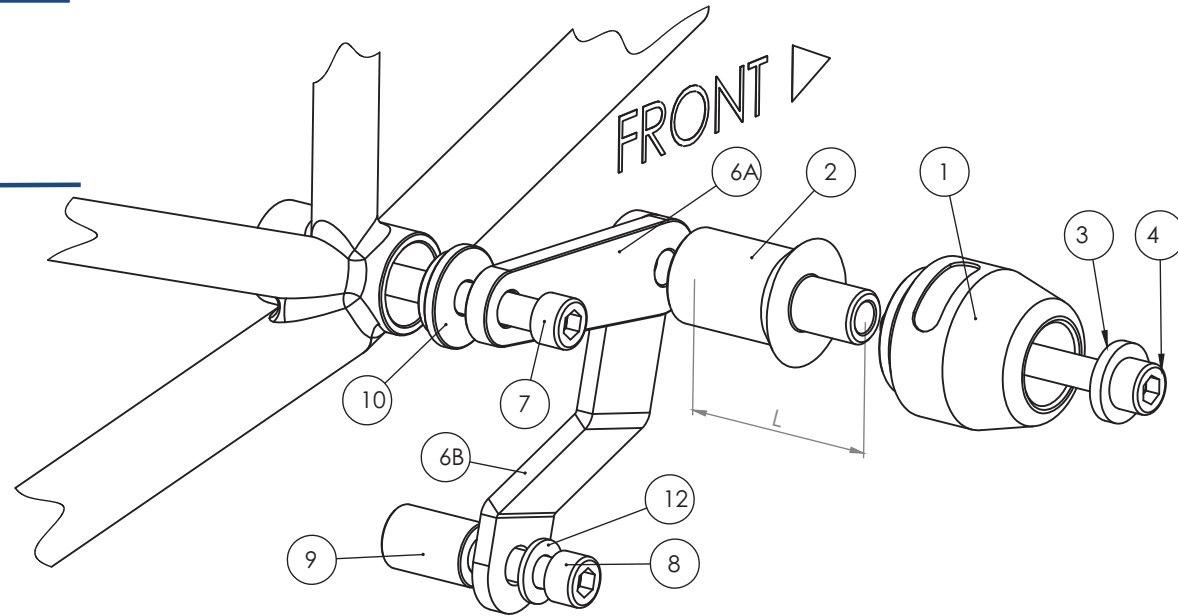
KTM 1290 SUPER DUKE R

year of production: ALL

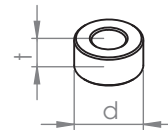
product code: SR218



Assembly positions.
Left and right sides



Dimensions
of the spacers



Assembly scheme (both sides)

Assembly instructions

1. Remove the original bolts indicated with the arrow on the assembly position scheme above.
 2. Replace the original bolt by the new mounting bolt (parts #7), the spacers (parts #9 and #10) and adapters (part #6A and #6B) according to the scheme on the right page. Put the steel adapters (parts #6A and #6B) in the right position according to the drawing on the right page.
 3. Assemble the slider, round cylindrical body, the bolt and the steel sleeve (parts #1, #2, #3 and #4) according to the drawing on the right page. Put them into the threaded hole in curved steel adapter (part #6B).
 4. Same operation is required in another side of the motorbike.
- We suggest to use the threadlocker (eg. Loctite) to make sure that the vibrations of the engine do not loosen the bolts.

Legal note. This product is a professional accessory to be used on the race track. Neither manufacturer, nor Seller take responsibility for any damages occurred despite of using protective accessories.

Vortex puts everything within reach.

Part #	Part name	Left side (as You sit on the motorbike)	Right side
1	Slider	1 pcs.	1 pcs.
2	Round cylindrical body	L = 60 mm	L = 60 mm
3	Steel sleeve	1 pcs.	1 pcs.
4	Allen bolt (8,8 class)	M10x90 mm	M10x90 mm
5	Spacer	-	-
6	Adapter (6A + 6B)	Steel flat bracket (6A) + Steel cambered bracket (6B)	Steel flat bracket (6A) + Steel cambered bracket (6B)
7	Mounting bolt 1	M10x70	M10x90
8	Mounting bolt 2	M10x60	M10x70
9	Spacer 1	t = 20 mm, d = 30 mm	t = 20 mm, d = 30 mm
10	Spacer 2	t = 32 mm, d = 8,5 mm	t = 32 mm, d = 8,5 mm
11	Nut	-	-
12	Washer	2 pcs. of M10 washer to be put under the M10 mounting bolts' heads	2 pcs. of M10 washer to be put under the M10 mounting bolts' heads

Our website offers you a wide variety of motorcycle frame & body at affordable prices.