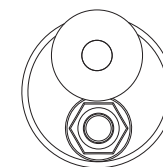
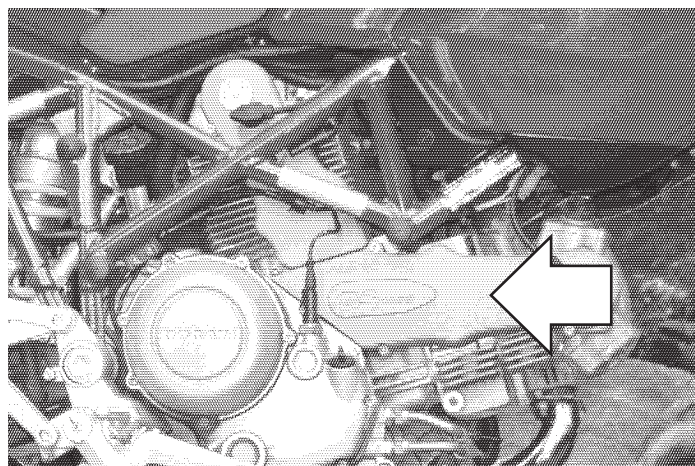


V3 FRAME SLIDERS KIT 2.0

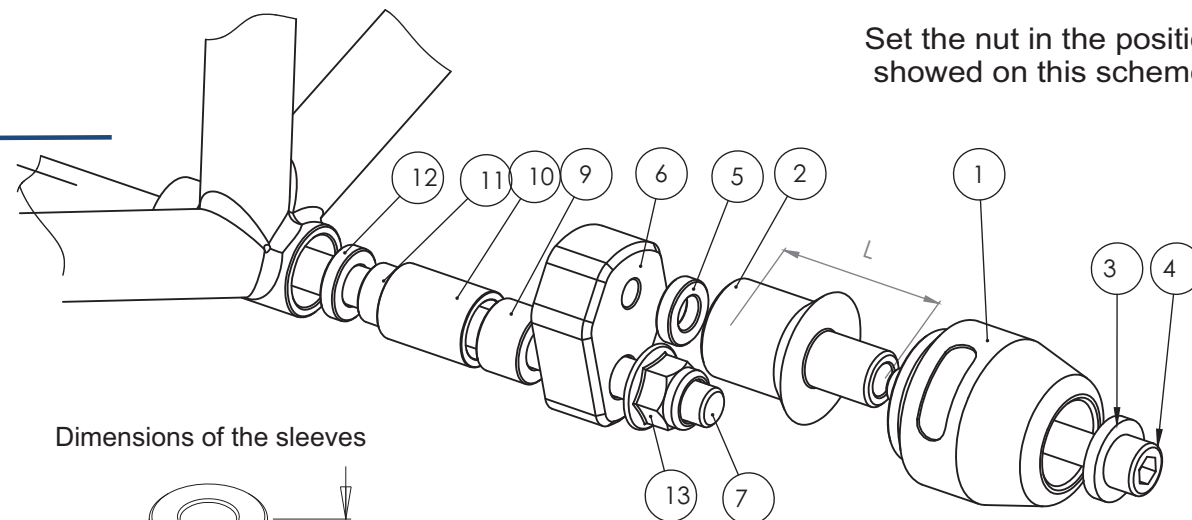
DUCATI HYPERSTRADA

year of production: **ALL**

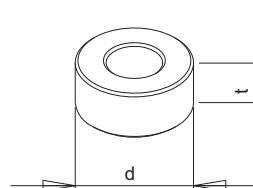
product code: SR204



Set the nut in the position showed on this scheme.



Dimensions of the sleeves



Assembly scheme (both sides)

Assembly positions.
Left and right sides

Assembly instructions

1. Remove the original bolts indicated with the arrows on the assembly position scheme above.
2. Replace the original bolt by the new threaded rod (part #7), the spacers (parts #9 - #12) and adapters (part #6) according to the scheme on the right page. Put the adapters (part #6) in the right position according to the drawing on the right page.
3. There is a set of 4 spacers for each side. 2 of them (plastics and aluminium, both 30 mm long) should be assembled together, plastic on the outside. This prevents the edge of the frame of damage in case the construction of the frame sliders bends.
4. Assemble the slider, round cylindrical body, the bolt and the steel sleeve (parts #1, #2, #3, #4 and #5) according to the drawing on the right page. Put them into the threaded hole in adapter (part #6).
5. Same operation is required in another side of the motorbike.

We suggest to use the threadlocker (eg. Loctite®) to make sure that the vibrations of the engine do not loosen the bolts.

Legal note. This product is a professional accessory to be used on the race track. Neither manufacturer, nor Seller take responsibility for any damages occurred despite of using protective accessories.

Vortex puts everything within reach.

| Part # | Part name | Left side (as You sit on the motorbike) | Right side |
|--------|------------------------|---|-------------------------------------|
| 1 | Slider | 1 pcs. | 1 pcs. |
| 2 | Round cylindrical body | L = 50 mm | L = 50 mm |
| 3 | Steel sleeve | 1 pcs. | 1 pcs. |
| 4 | Allen bolt (8,8 class) | M10x70 mm | M10x70 mm |
| 5 | Spacer | t = 20 mm, d = 5 mm | t = 20 mm, d = 5 mm |
| 6 | Adapter | Aluminium | Aluminium |
| 7 | Mounting bolt 1 | M12x395 | |
| 8 | Mounting bolt 2 | - | - |
| 9 | Spacer 1 | t = 20 mm, d = 15 mm (aluminium) | t = 20 mm, d = 15 mm (aluminium) |
| 10 | Spacer 2 | t = 23 mm, d = 30 mm (plastics) | t = 23 mm, d = 30 mm (plastics) |
| 11 | Spacer 3 | t = 18 mm, d = 30 mm (aluminium) | t = 18 mm, d = 30 mm (aluminium) |
| 12 | Spacer 4 | t = 20 mm, d = 5 mm (aluminium) | t = 20 mm, d = 5 mm (aluminium) |
| 13 | Nut | M12, 1 pcs. | M12, 1 pcs. |

Our website offers you a wide variety of motorcycle frame & body at affordable prices.