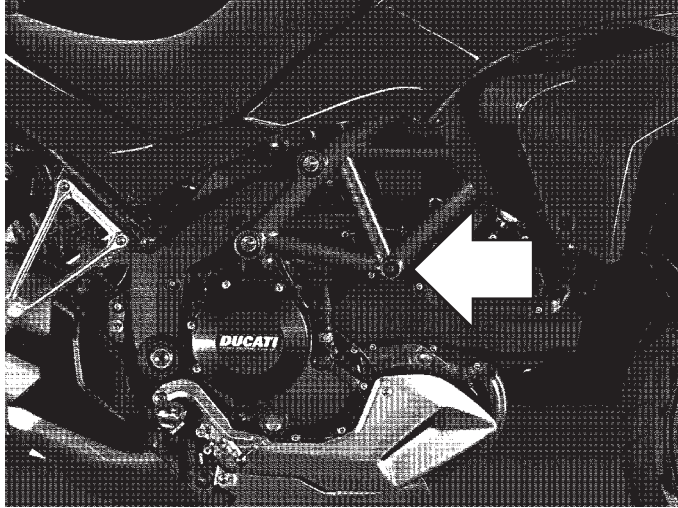


V3 FRAME SLIDERS KIT 2.0

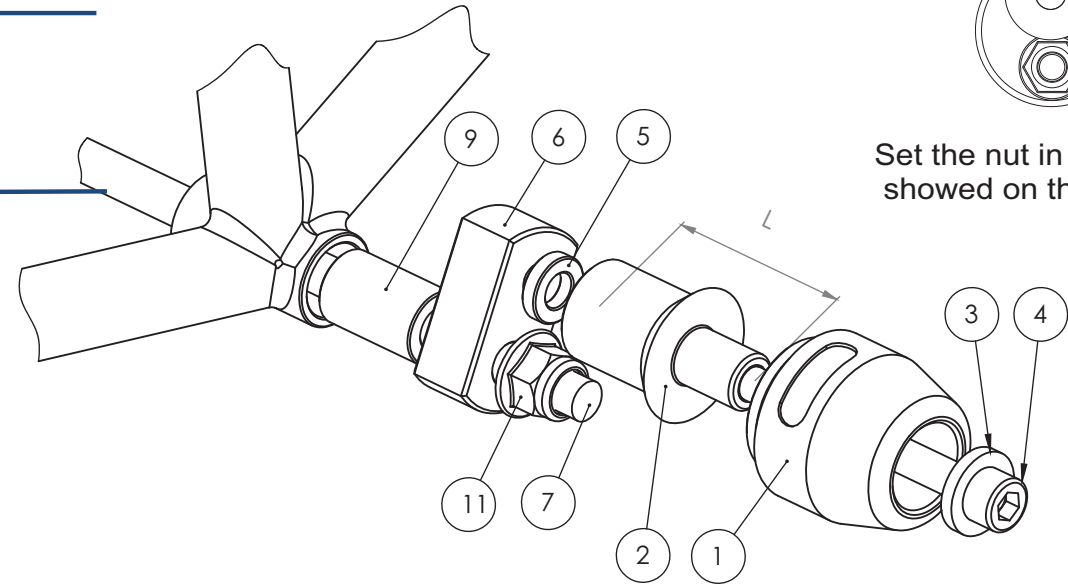
DUCATI MULTISTRADA 1200

year of production: **ALL**

product code: SR202

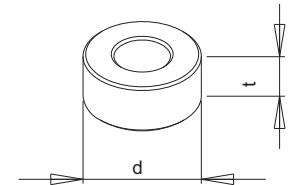


Assembly positions.
Left and right sides



Set the nut in the position
showed on this scheme.

Dimensions of the sleeves



Assembly scheme (both sides)

Assembly instructions

1. Remove the original bolts indicated with the arrows on the assembly position scheme above.
 2. Replace the original bolt by the new mounting bolt (parts #7), the spacer 1 (parts #9) and adapter (part #6) according to the scheme on the right page. Put the adapter (part #6) in the right position according to the drawing on the right page.
 3. Assemble the slider, round cylindrical body, the bolt, the steel sleeve and aluminum spacer (parts #1, #2, #3, #4 and #5) according to the drawing on the right page. Put them into the threaded hole in adapter (part #6).
 4. Same operation is required in another side of the motorbike.
- We suggest to use the threadlocker (eg. Loctite®) to make sure that the vibrations of the engine do not loosen the bolts.

Part #	Part name	Left side (as You sit on the motorbike)	Right side
1	Slider	1 pcs.	1 pcs.
2	Round cylindrical body	L = 60 mm	L = 60 mm
3	Steel sleeve	1 pcs.	1 pcs.
4	Allen bolt (8,8 class)	M10x80 mm	M10x80 mm
5	Spacer	t = 20 mm, d = 5 mm	t = 20 mm, d = 5 mm
6	Adapter	Aluminium	Aluminium
7	Mounting bolt 1	M12x385	
8	Mounting bolt 2	-	-
9	Spacer 1	t = 20 mm, d = 42 mm	t = 20 mm, d = 42 mm
10	Spacer 2	-	-
11	Nut	M12, 1 pcs.	M12, 1 pcs.
12	Washer	-	-

Legal note. This product is a professional accessory to be used on the race track. Neither manufacturer, nor Seller take responsibility for any damages occurred despite of using protective accessories.

Vortex puts everything within reach.

Our website offers you a wide variety of motorcycle frame & body at affordable prices.