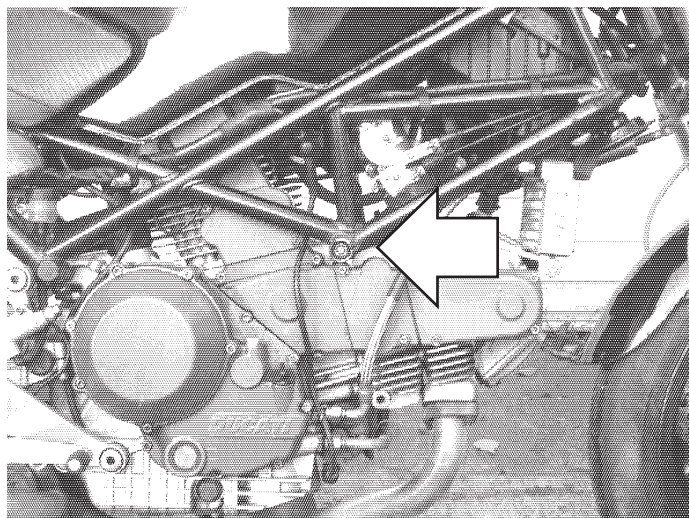


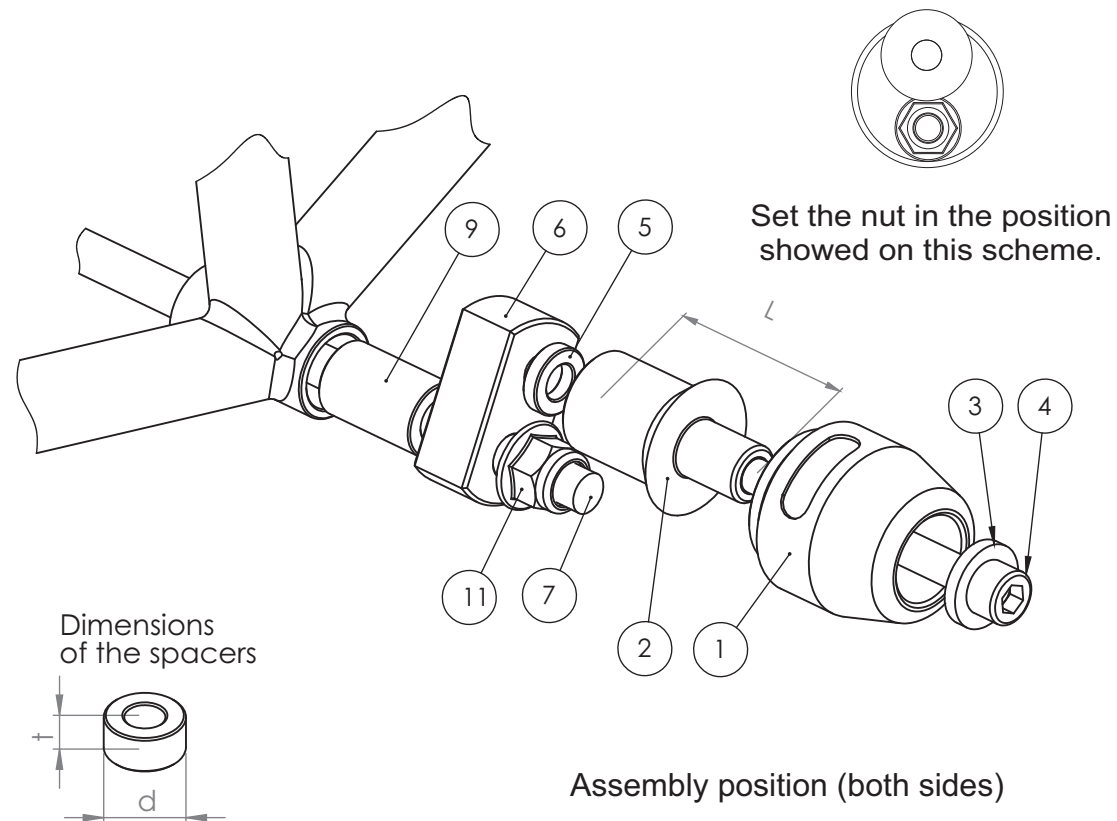
## V3 FRAME SLIDERS KIT 2.0

# DUCATI MONSTER 600 – 695, 750, 796,1000, S2R, S4/R/RS

year of production: '01-  
product code: SR197



Assembly position  
(both sides)



### Assembly instructions

1. Remove the original bolts indicated with the arrows on the assembly position scheme above.

2. Replace the original bolt by the new mounting bolt (parts #7), the spacer 1 (parts #9) and adapter (part #6) according to the scheme on the right page. Put the adapter (part #6) in the right position according to the drawing on the right page.

3. Assemble the slider, round cylindrical body, the bolt, the steel sleeve and aluminium spacer (parts #1, #2, #3, #4 and #5) according to the drawing on the right page. Put them into the threaded hole in adapter (part #6).

4. Same operation is required in another side of the motorbike.

We suggest to use the threadlocker (eg. Loctite®) to make sure that the vibrations of the engine do not loosen the bolts.

Legal note. This product is a professional accessory to be used on the race track. Neither manufacturer, nor Seller take responsibility for any damages occurred despite of using protective accessories.

Vortex puts everything within reach.

| Part # | Part name              | Left side (as You sit on the motorbike) | Right side           |
|--------|------------------------|---|----------------------|
| 1      | Slider                 | 1 pcs.                                  | 1 pcs.               |
| 2      | Round cylindrical body | L = 60 mm                               | L = 60 mm            |
| 3      | Steel sleeve           | 1 pcs.                                  | 1 pcs.               |
| 4      | Allen bolt (8,8 class) | M10x80 mm                               | M10x80 mm            |
| 5      | Spacer                 | t = 20 mm, d = 5 mm                     | t = 20 mm, d = 5 mm  |
| 6      | Adapter                | Aluminium                               | Aluminium            |
| 7      | Mounting bolt 1        | M12x385                                 |                      |
| 8      | Mounting bolt 2        | -                                       | -                    |
| 9      | Spacer 1               | t = 20 mm, d = 30 mm                    | t = 20 mm, d = 30 mm |
| 10     | Spacer 2               | -                                       | -                    |
| 11     | Nut                    | M12, 1 pcs.                             | M12, 1 pcs.          |
| 12     | Washer                 | -                                       | -                    |

Our website offers you a wide variety of motorcycle frame & body at affordable prices.