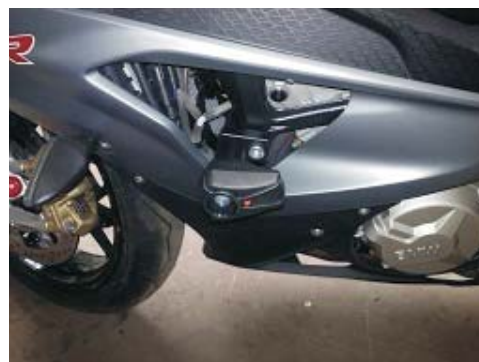


## V3 FRAME SLIDERS KIT 2.0

# BMW S 1000 RR

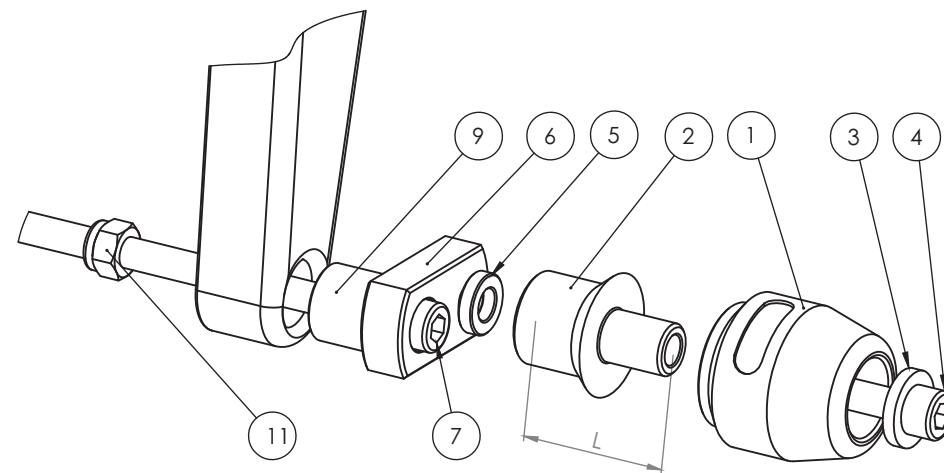
year of production: '12-'14

product code: SR194

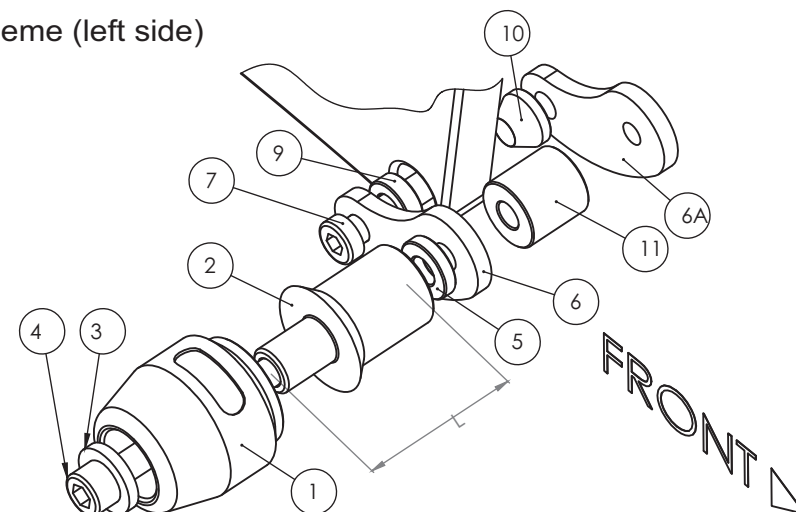


Assembly position (right side)

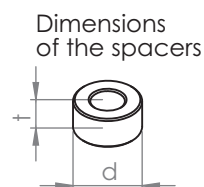
Assembly position (left side)



Assembly scheme (left side)



Assembly scheme (right side)



Part #	Part name	Left side (as You sit on the motorbike)	Right side
1	Slider	1 pcs.	1 pcs.
2	Round cylindrical body	L = 60 mm	L = 60 mm
3	Steel sleeve	1 pcs.	1 pcs.
4	Allen bolt (8,8 class)	M10x80 mm	M10x110 mm
5	Spacer	t = 20 mm, d = 5 mm	t = 20 mm, d = 5 mm
6	Adapter	Aluminium	Steel (2 pcs.)
7	Mounting bolt 1	M10x65 (Allen)	M10x60 (short head)
8	Mounting bolt 2	-	-
9	Spacer 1	t = 20 mm, d = 10 mm	t = 20 mm, d = 6,7 mm
10	Spacer 2	-	Cone shaped
11	Spacer 3	-	t = 20 mm, d = 25 mm
12	Washer	-	-

Our website offers you a wide variety of motorcycle frame & body at affordable prices.

### Assembly instructions

1. Remove the original bolts indicated with the arrows on the assembly position scheme above.
2. Replace the original bolt by the new mounting bolt (parts #7), the spacer 1 (parts #9) and adapter (part #6 on the left side and parts #6 and #6A on the right side) according to the scheme on the right page. Note! On the right side adapter (part #6A) and spacer 2 (part #10) replace the original coned spacer. Put the adapter (parts #6 on the left side and parts #6 + #6A on the right side) in the right position according to the drawing on the right page.
3. Assemble the slider, round cylindrical body, the bolt, steel sleeve and the aluminium spacer (parts #1, #2, #3 and #4) according to the drawing on the right page. Put them into the threaded hole in adapter (part #6 on the left side and parts #6A on the right side).
4. Same operation is required in another side of the motorbike.

We suggest to use the threadlocker (eg. Loctite®) to make sure that the vibrations of the engine do not loosen the bolts.

Legal note. This product is a professional accessory to be used on the race track. Neither manufacturer, nor Seller take responsibility for any damages occurred despite of using protective accessories.

Vortex puts everything within reach.