

V3 FRAME SLIDERS KIT 2.0

**YAMAHA XSR 900**

year of production: ALL

product code: SR189

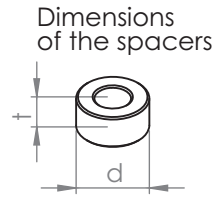
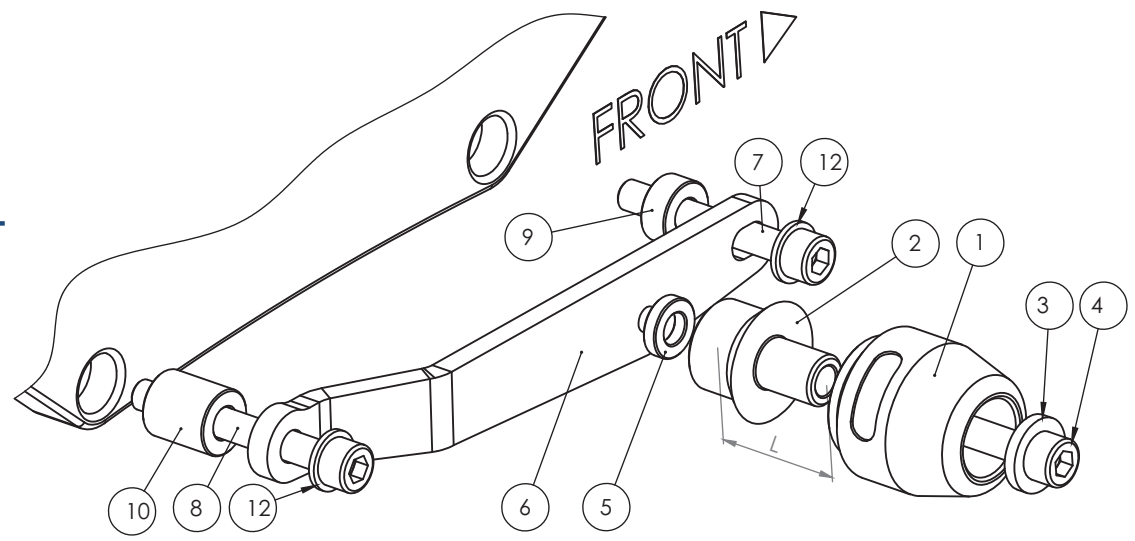


Assembly positions (both sides)

Assembly instructions

1. Please check the assembly positions on the image above. Remove the original bolts indicated with the arrow on the image above.
3. Replace the original bolts with the new mounting bolts (parts #7,#8), spacers (parts #9,#10) and metal adapters (parts #6) and put these parts in the right order shown on the assembly scheme on the right page. Put the adapters (parts #6) in the right positions according to the assembly scheme.
4. Assemble the sliders, round cylindrical body, the bolts, steel sleeve and the spacers (parts #1, #2, #3, #4 and #5) according to the drawing on the right page. Put them into the threaded holes in the adapter (part #6).

We suggest to use the threadlocker (eg. Loctite®) to make sure that the vibrations of the engine do not loosen the bolts.



Assembly scheme (both sides)

Part #	Part name	Left side (as You sit on the motorbike)	Right side
1	Slider	1 pcs.	1 pcs.
2	Round cylindrical body	L = 50 mm	L = 50 mm
3	Steel sleeve	1 pcs.	1 pcs.
4	Allen bolt (8,8 class)	M10x70 mm	M10x70 mm
5	Spacer	t = 20 mm, d = 5 mm	t = 20 mm, d = 5 mm
6	Adapter	Steel (shorter)	Steel (longer)
7	Mounting bolt 1	M10x1,25x70	M10x1,25x70
8	Mounting bolt 2	M10x1,25x80	M10x1,25x80
9	Spacer 1	t = 20 mm, d = 15 mm	t = 20 mm, d = 10 mm
10	Spacer 2	t = 20 mm, d = 20 mm	t = 20 mm, d = 25 mm
11	Nut	-	-
12	Washer	2 pcs. to be put under the mounting bolts' heads	2 pcs. to be put under the mounting bolts' heads

Legal note. This product is a professional accessory to be used on the race track. Neither manufacturer, nor Seller take responsibility for any damages occurred despite of using protective accessories.

Our website offers you a wide variety of motorcycle frame & body at affordable prices.