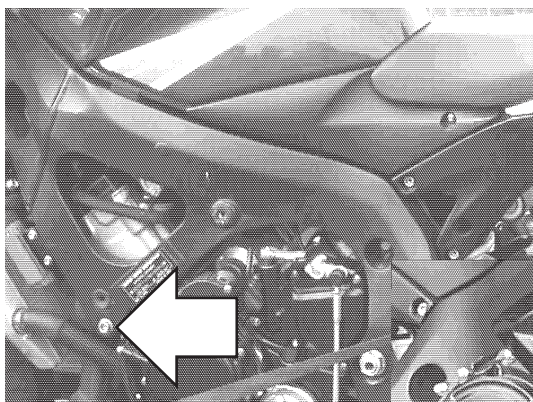


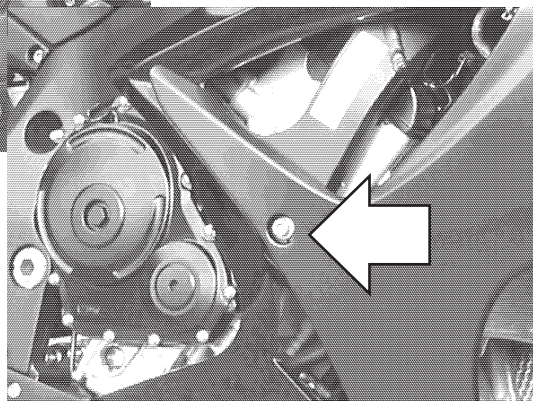
# SUZUKI GSX-R 600/750

year of production: '11-

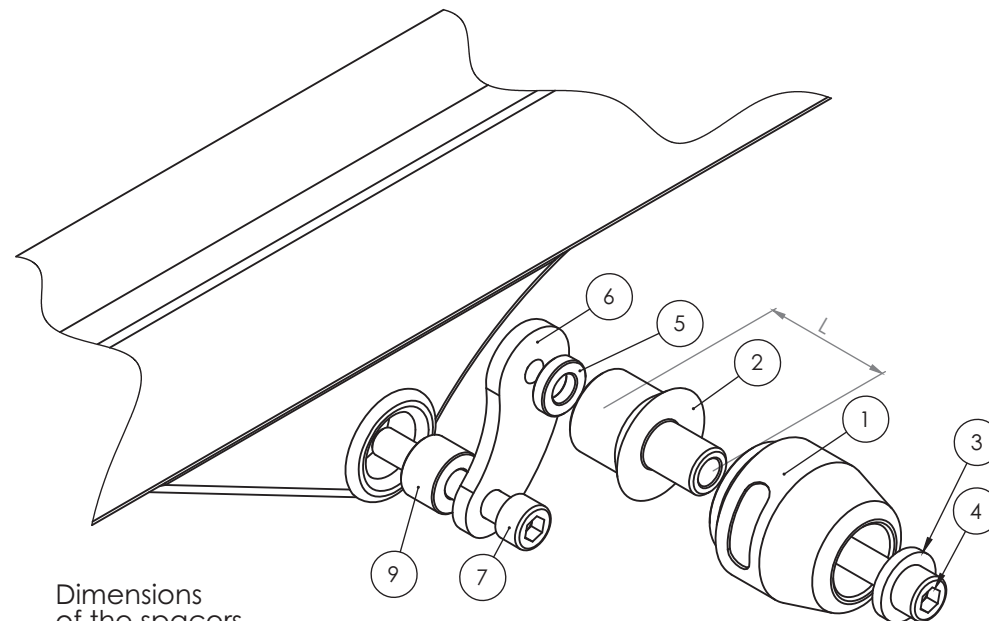
product code: SR164



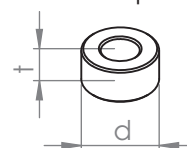
Assembly position.  
(Left side)



Assembly position  
(Right side)



Dimensions  
of the spacers



Assembly scheme.  
(Both sides)

## Assembly instructions

1. Remove the original bolts indicated with the arrows on the assembly position scheme above.
2. Replace the original bolt by the new mounting bolt (parts #7), the spacer 1 (parts #9) and adapter (part #6) according to the scheme on the right page. Put the adapter (part #6) in the right position according to the drawing on the right page.
3. Assemble the slider, round cylindrical body, the bolt and the steel sleeve (parts #1, #2, #3 and #4) according to the drawing on the right page. Put them into the threaded hole in adapter (part #6).
4. Same operation is required in another side of the motorbike.

We suggest to use the threadlocker (eg. Loctite®) to make sure that the vibrations of the engine do not loosen the bolts.

Part #	Part name	Left side (as You sit on the motorbike)	Right side
1	Slider	1 pcs.	1 pcs.
2	Round cylindrical body	L = 60 mm	L = 35 mm
3	Steel sleeve	1 pcs.	1 pcs.
4	Allen bolt (8,8 class)	M10x80 mm	M10x55 mm
5	Spacer	t = 20 mm, d = 5 mm	t = 20 mm, d = 5 mm
6	Adapter	Steel (longer)	Steel (shorter)
7	Mounting bolt 1	M10x1,25x55 mm	M10x1,25x60
8	Mounting bolt 2	-	-
9	Spacer 1	t = 20 mm, d = 5 mm + M10 washer	t = 20 mm, d = 5 mm + M10 washer
10	Spacer 2	-	-
11	Nut	-	-
12	Washer	1 pcs. M10 washer to be put under the M10x1,25x55 bolt's head	1 pcs. M10 washer to be put under the M10x1,25x60 bolt's head

Legal note. This product is a professional accessory to be used on the race track. Neither manufacturer, nor Seller take responsibility for any damages occurred despite of using protective accessories.

Our website offers you a wide variety of motorcycle frame & body at affordable prices.