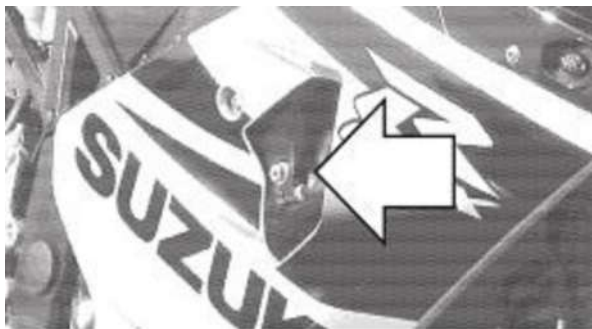


V3 Frame Slider Kit 2.0

Suzuki GSX-R 600/750

PART NUMBER: SR155



RIGHT SIDE



LEFT SIDE

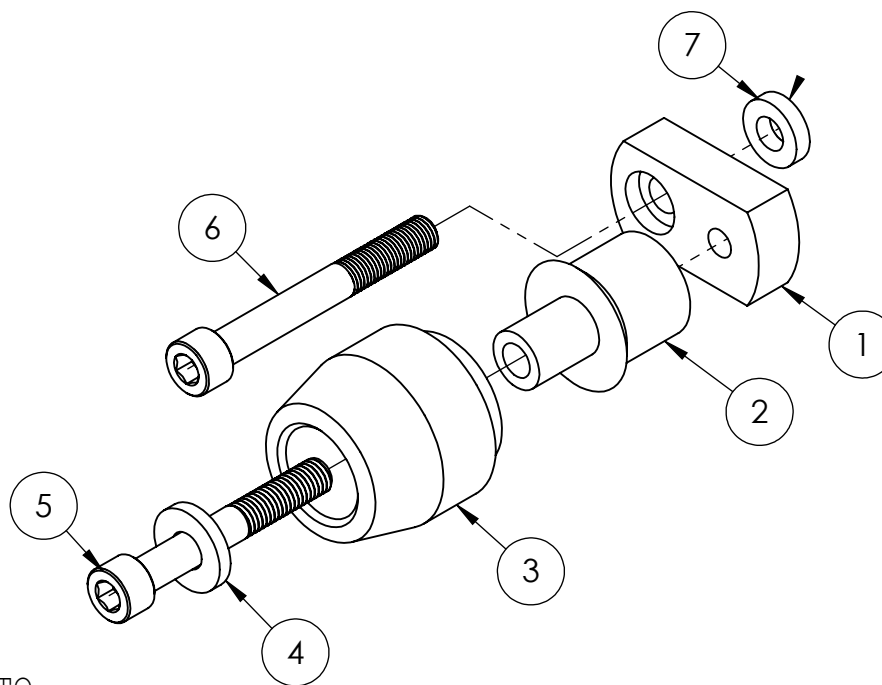
1. Remove OEM frame bolts indicated by arrows in the image above.
2. Assemble adapter brackets, bolts, and spacers as shown in the assembly to the right. Right and left side are identical.
3. Use thread lock when assembling frame sliders so engine vibrations do not loosen bolts

THIS PRODUCT IS A PROFESSIONAL ACCESSORY TO BE USED ON THE RACE TRACK. MANUFACTURER AND SELLER TAKE NO RESPONSIBILITY FOR ANY DAMAGES THAT MIGHT OCCURE WHEN USING THIS PRODUCT.

THIS PRODUCT IS TO BE INSTALLED BY A CERTIFIED MECHANIC ONLY

ITEM NO.	PART NUMBER	DESCRIPTION	QTY.
1	SRB001	M10 Adapter With Pocket	1
2	SRA50	Slider Base (50mm)	1
3	H-SR101	Slider	1
4	H-SRPW	M10 x 4mm Thick	1
5	F-167SH	M10 x 1.5 x 70mm	2
6	F-156SH	M10 x 1.25 x 80mm	2
7	SRS004	M10 x 5mm Long Spacer	1
8	SRS006	M10 x 15mm Long Spacer	1

RIGHT SIDE ASSEMBLY



LEFT SIDE USES
15mm SPACER
(SRS006)

[View other motorcycle guards and protection made by Vortex on our website.](#)