

V3 FRAME SLIDERS KIT 2.0

KAWASAKI NINJA 300

year of production: ALL

product code: SR141



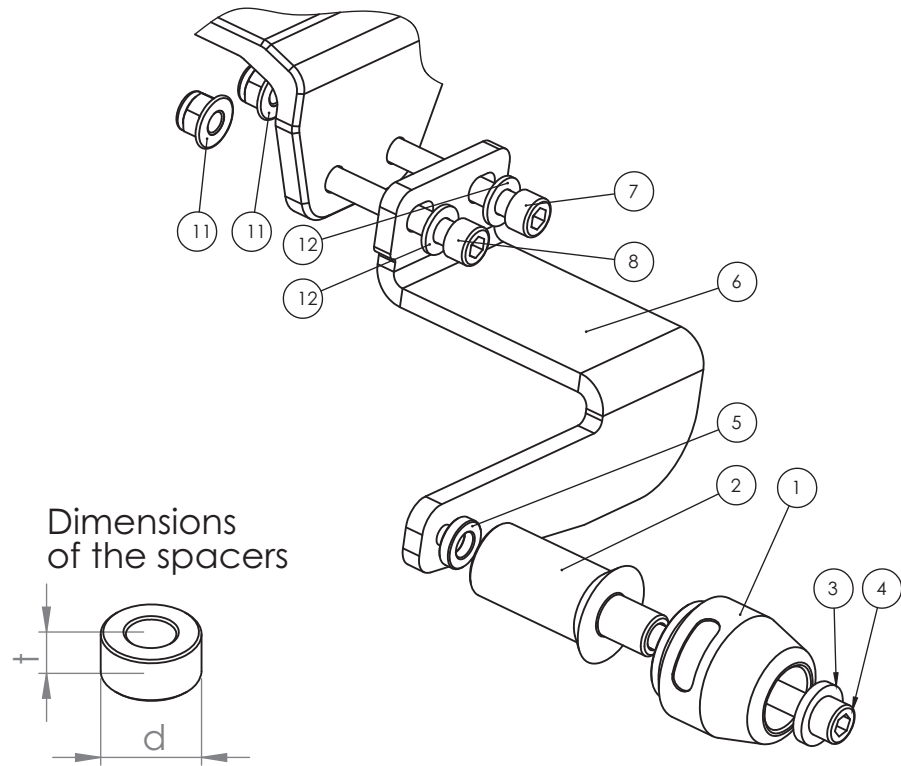
Assembly position (both sides)

Assembly instructions

1. Remove the fairings on both sides.
2. Please check the assembly positions on the image above. Remove the original bolts indicated with the arrow on the image above.
3. Replace the original bolts with the new mounting bolts (parts #7,#8), nuts (parts #11), washers (parts #12) and metal adapters (parts #6) and put these parts in the right order shown on the assembly scheme on the right page. Put the adapters (parts #6) in the right positions according to the assembly scheme.
4. Please assemble the fairings.
7. Assemble the sliders, round cylindrical body, the bolts, steel sleeve and the spacers (parts #1, #2, #3, #4 and #5) according to the drawing on the right page. Put them into the threaded holes in the adapter (part #6).

We suggest to use the threadlocker (eg. Loctite) to make sure that the vibrations of the engine do not loosen the bolts.

Vortex puts everything within reach.



Assembly scheme (both sides)

Part #	Part name	Left side (as You sit on the motorbike)	Right side
1	Slider	1 pcs.	1 pcs.
2	Round cylindrical body	L = 80 mm	L = 80 mm
3	Steel sleeve	1 pcs.	1 pcs.
4	Allen bolt (8,8 class)	M10x100 mm	M10x100 mm
5	Spacer	t=20 mm, d=5 mm	t=20 mm, d=5 mm
6	Adapter	Steel	Steel
7	Mounting bolt 1	M10X65	M10X65
8	Mounting bolt 2	M10X65	M10X65
9	Spacer 1	-	-
10	Spacer 2	-	-
11	Nut	2 pcs. M10 to be mounted on M10X65 bolts	2 pcs. M10 to be mounted on M10X65 bolts
12	Washer	2 pcs. M10 to be put under the heads of M10X65 bolts	2 pcs. M10 to be put under the heads of M10X65 bolts

Legal note. This product is a professional accessory to be used on the race track. Neither manufacturer, nor Seller take responsibility for any damages occurred despite of using protective accessories.

Our website offers you a wide variety of motorcycle frame & body at affordable prices.