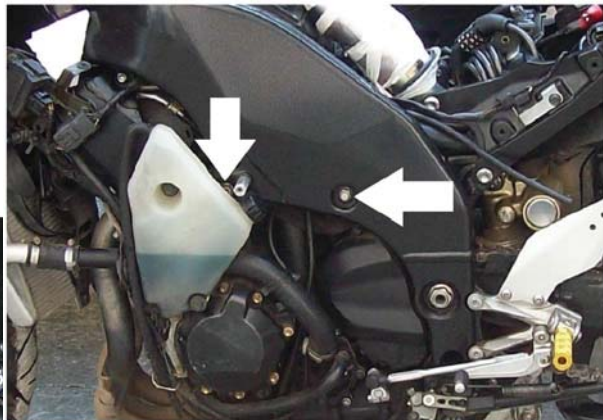


PROTECTIVE SLIDERS

KAWASAKI ZX 10R

year of production: '06-'07
product code: SR131

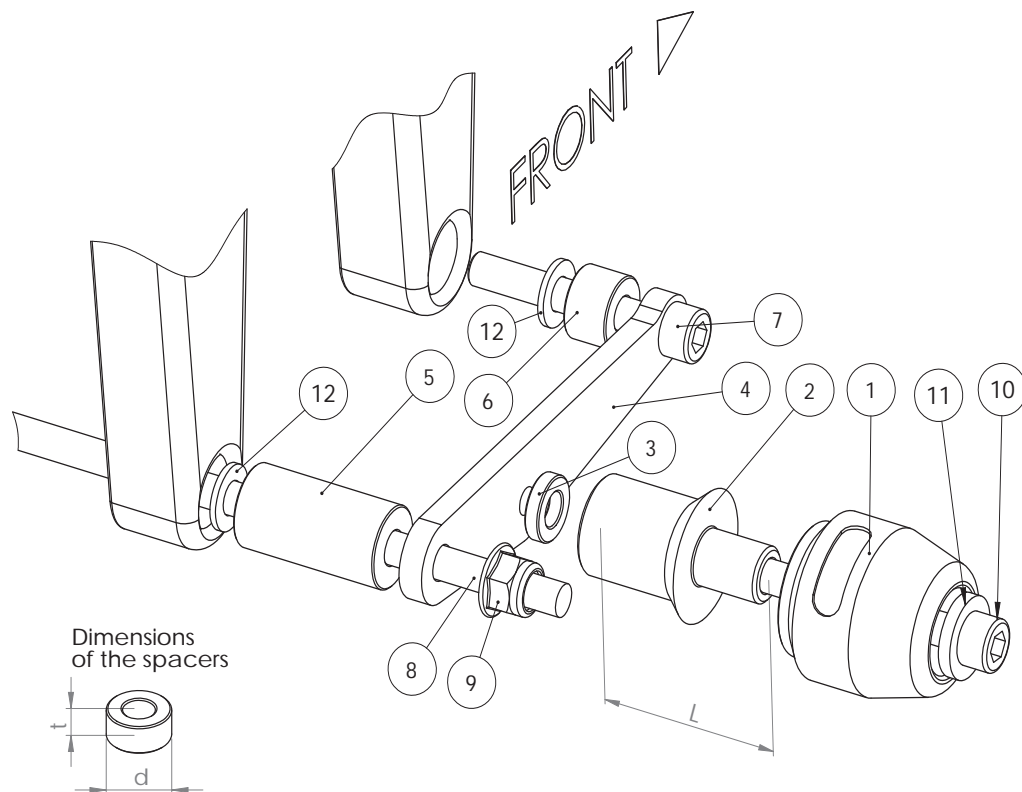
Assembly position
Left side



Assembly position
Right side

Assembly instructions

1. Remove the motorcycle's side fairings.
 2. Remove the screws indicated with the arrows.
 3. Using screws #7, stud bolt #8, spacers #5 and #6 mount middle bars #4 as shown in the drawing. Use certain number of adjusting washers #12 to set a proper distance between middle bars' inner face and the motorcycle frame positioning bars perpendicular to motorcycle's drive direction.
 4. Assemble sliders, adapters and other elements putting them on the screw #10 as shown in the drawing.
 5. Assemble the screws #10 together with the sliders to the bars #4.
- We suggest to use the threadlocker to make sure that the screws do not get loose.
6. Remount the side fairings of the motorcycle.



No	PART	LEFT SIDE	RIGHT SIDE
1	Slider		
2	Adapter	L = 50 mm	L = 60 mm
3	Spacer	d=20 mm, t=5 mm	d=20 mm, t=5 mm
4	Middle bar		
5	Spacer	d=20 mm, t=30 mm	d=20 mm, t=50 mm
6	Spacer	d=20 mm, t=15 mm	none
7	Mounting bolt	M10, L = 70 mm	M10, L = 70 mm
8	Mounting bolt	none	M10 stud bolt
9	Nut	M10	M10
10	Screw	M10, L = 70 mm	M10, L = 80 mm
11	Washer	10	10
12	Adjusting washers	10	10

Our website offers you a wide variety of motorcycle frame & body at affordable prices.

Vortex puts everything within reach.