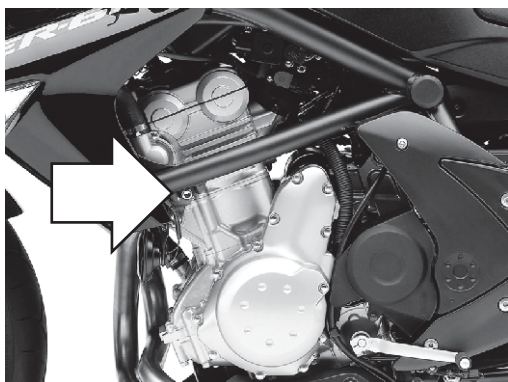


V3 FRAME SLIDERS KIT 2.0

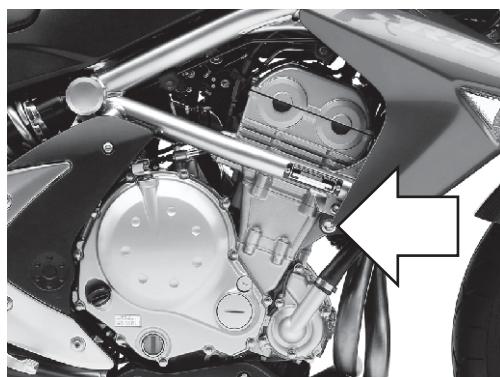
KAWASAKI ER6 N

year of production: '09-'11

product code: SR130



Assembly position
(left side)



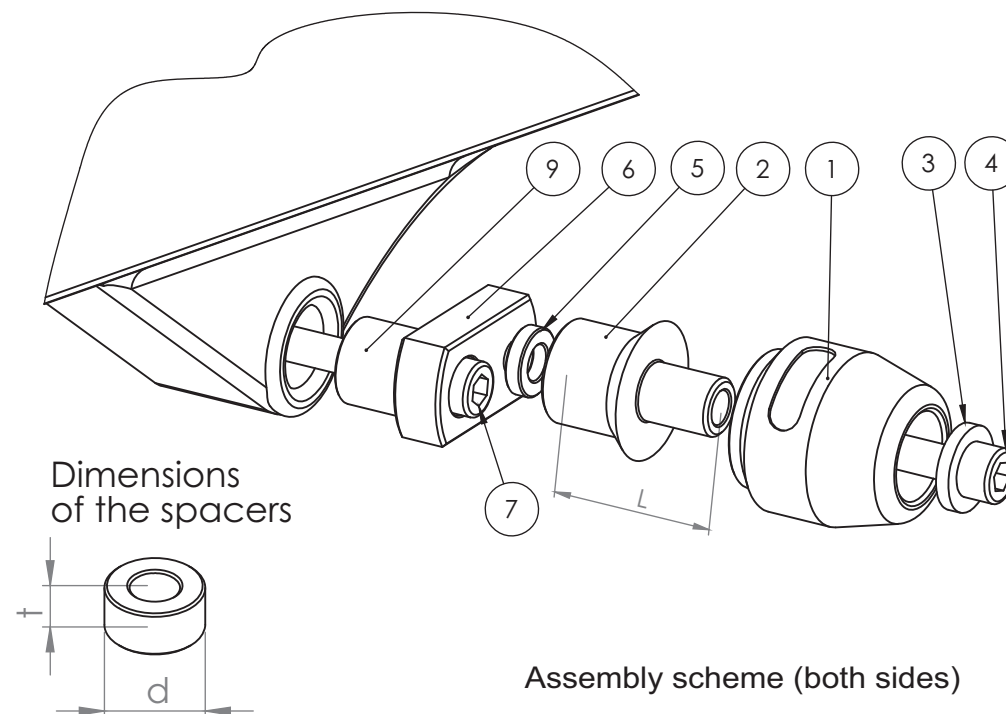
Assembly position
(right side)



Assembly instructions

1. Remove the original bolts indicated with the arrows on the assembly position scheme above.
 2. Replace the original bolt by the new mounting bolt (parts #7), the spacer 1 (parts #9) and adapter (part #6) according to the scheme on the right page. Put the adapter (part #6) in the right position according to the drawing on the right page.
 3. Assemble the slider, round cylindrical body, the bolt and the steel sleeve (parts #1, #2, #3, #4 and #5) according to the drawing on the right page. Put them into the threaded hole in adapter (part #6).
 4. Same operation is required in another side of the motorbike.
- We suggest to use the threadlocker (eg. Loctite®) to make sure that the vibrations of the engine do not loosen the bolts.

Vortex puts everything within reach.



Part name	Left side (as You sit on the motorbike)	Right side
Slider	1 pcs.	1 pcs.
Round cylindrical body	L = 80 mm	L = 60 mm
Steel sleeve	1 pcs.	1 pcs.
Allen bolt (8,8 class)	M10x110 mm	M10x90 mm
Spacer	t=20mm, d=5 mm	t=20mm, d=5 mm
Adapter	Aluminium	Aluminium
Mounting bolt 1	M10x80	M10x130
Mounting bolt 2	-	-
Spacer 1	t=20mm, d=15 mm	t=20mm, d=5 mm
Spacer 2	-	-
Nut	1 pcs.	1 pcs.
Washer	-	-

Legal note. This product is a professional accessory to be used on the race track. Neither manufacturer, nor Seller take responsibility for any damages occurred despite of using protective accessories.

Our website offers you a wide variety of motorcycle frame & body at affordable prices.