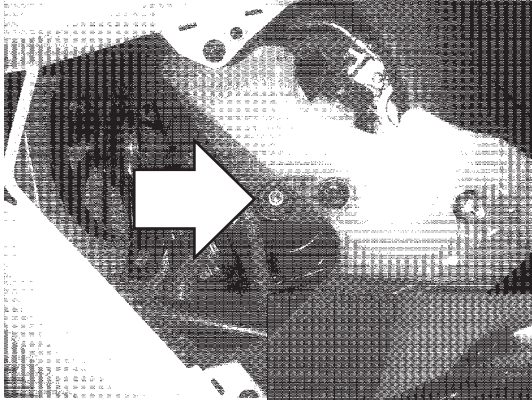


V3 FRAME SLIDERS KIT 2.0

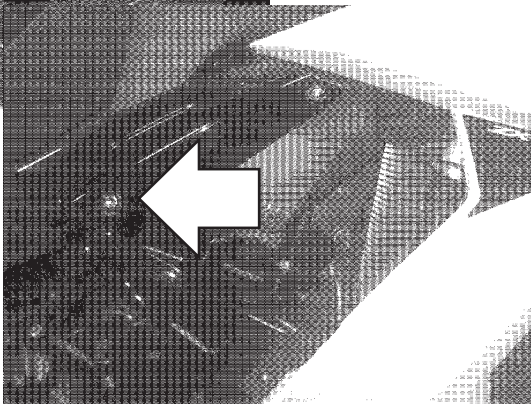
**KAWASAKI ZX 10 R**

year of production: '08-'10

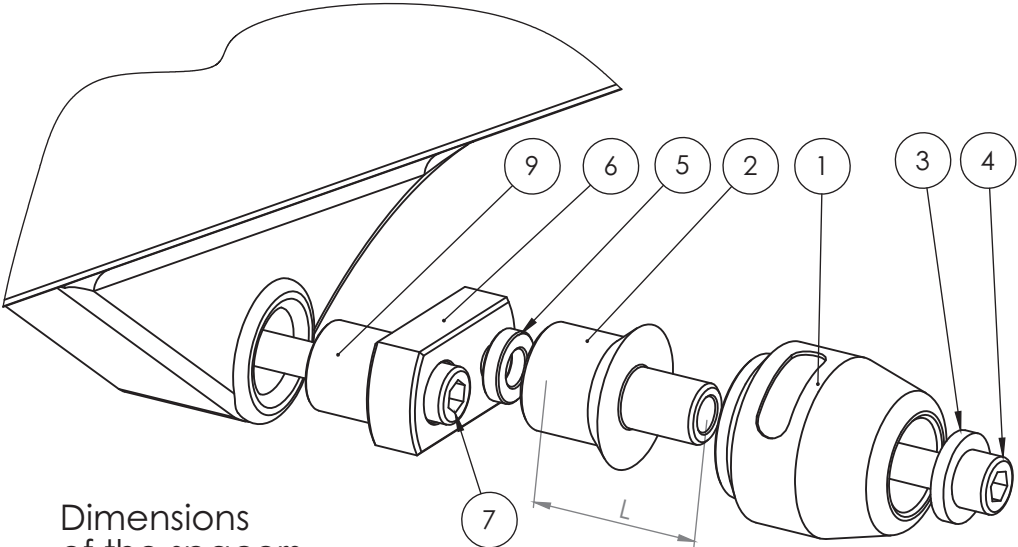
product code: SR127



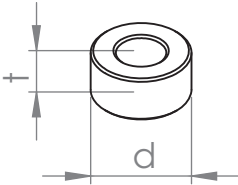
Assembly position (left side)



Assembly position (right side)



Dimensions of the spacers



Assembly scheme (both sides)

Assembly instructions

1. Remove the original bolts indicated with the arrows on the assembly position scheme above.
  2. Replace the original bolt by the new mounting bolt (parts #7), the spacer 1 (parts #9) and adapter (part #6) according to the scheme on the right page. Put the adapter (part #6) in the right position according to the drawing on the right page.
  3. Assemble the slider, round cylindrical body, the bolt and the steel sleeve on the left side (parts #1, #2, #3, #4 and #5) according to the drawing on the right page. Put them into the threaded hole in adapter (part #6).
  4. Same operation is required in another side of the motorbike.
- We suggest to use the threadlocker (eg. Loctite®) to make sure that the vibrations of the engine do not loosen the bolts.

Part #	Part name	Left side (as You sit on the motorbike)	Right side
1	Slider	1 pcs.	1 pcs.
2	Round cylindrical body	L = 50 mm	L = 30 mm
3	Steel sleeve	1 pcs.	1 pcs.
4	Allen bolt (8,8 class)	M10x80 mm	M10x50 mm
5	Spacer	t=20mm, d=10 mm	-
6	Adapter	Aluminium longer	Aluminium shorter
7	Mounting bolt 1	M10x1,25x55	M10x1,25x55
8	Mounting bolt 2	-	-
9	Spacer 1	t=20mm, d=10 mm	t=20mm, d=5 mm
10	Spacer 2	-	-
11	Nut	-	-
12	Washer	-	-

Legal note. This product is a professional accessory to be used on the race track. Neither manufacturer, nor Seller take responsibility for any damages occurred despite of using protective accessories.