

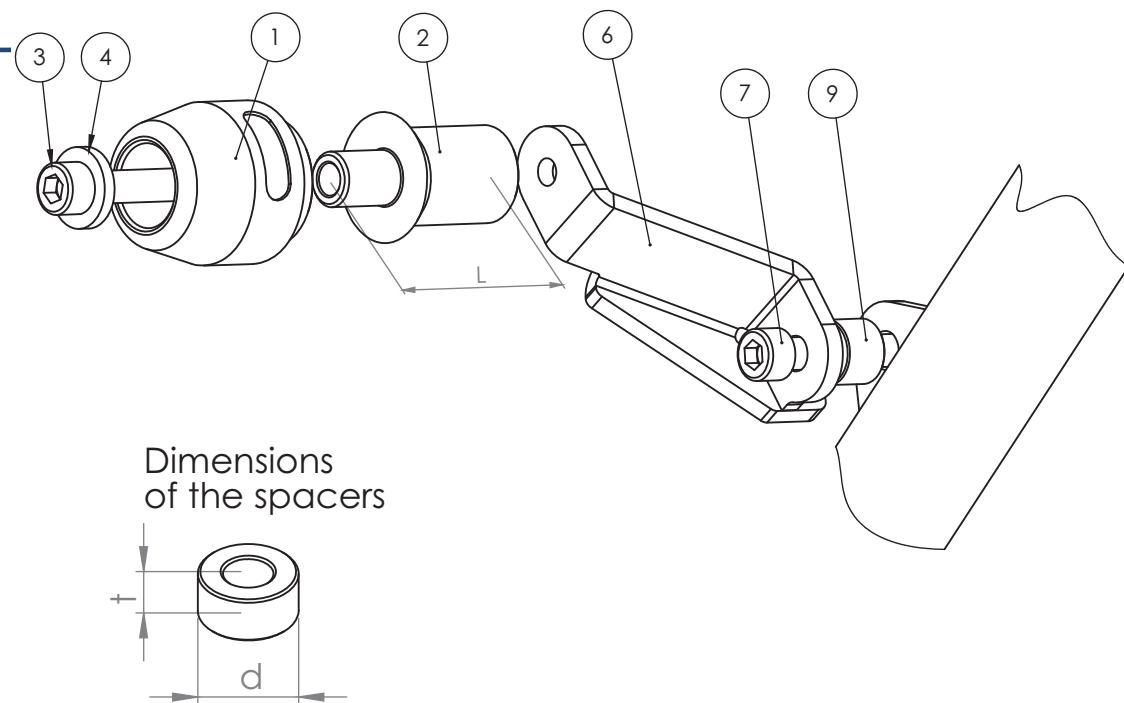
HONDA CBR 500 R

year of production: '13-

product code: SR115



Assembly position
(both sides)



Assembly instructions

1. Remove the original bolts indicated with the arrow on the assembly position scheme above.
2. Replace the original bolt by the new bolt (parts #7), the spacer 1 (parts #9) and adapter (part #6) according to the scheme on the right page. Put the adapter (part #6) in the right position according to the drawing on the right page.
3. Assemble the slider, round cylindrical body, the bolt and the steel sleeve (parts #1, #2, #3 and #4) according to the drawing on the right page. Put them into the threaded hole in adapter (part #6).
4. Same operation is required in another side of the motorbike.

We suggest to use the threadlocker (eg. Loctite) to make sure that the vibrations of the engine do not loosen the bolts.

Legal note. This product is a professional accessory to be used on the race track. Neither manufacturer, nor Seller take responsibility for any damages occurred despite of using protective accessories.

Vortex puts everything within reach.

Part #	Part name	Left side (as You sit on the motorbike)	Right side
1	Slider	1 pcs.	1 pcs.
2	Round cylindrical body	L = 60 mm	L = 45 mm
3	Steel sleeve	1 pcs.	1 pcs.
4	Allen bolt (8,8 class)	M10x80 mm	M10x60 mm
5	Spacer	-	-
6	Adapter	Steel	Steel
7	Mounting bolt 1	M10x1,25x45 mm	M10x1,25x60 mm
8	Mounting bolt 2	-	-
9	Spacer 1	-	t=20mm, d=15 mm to be put on M10x1,25x60 bolt between the adapter and the frame
10	Spacer 2	-	-
11	Nut	-	-
12	Washer	-	-

Our website offers you a wide variety of motorcycle frame & body at affordable prices.