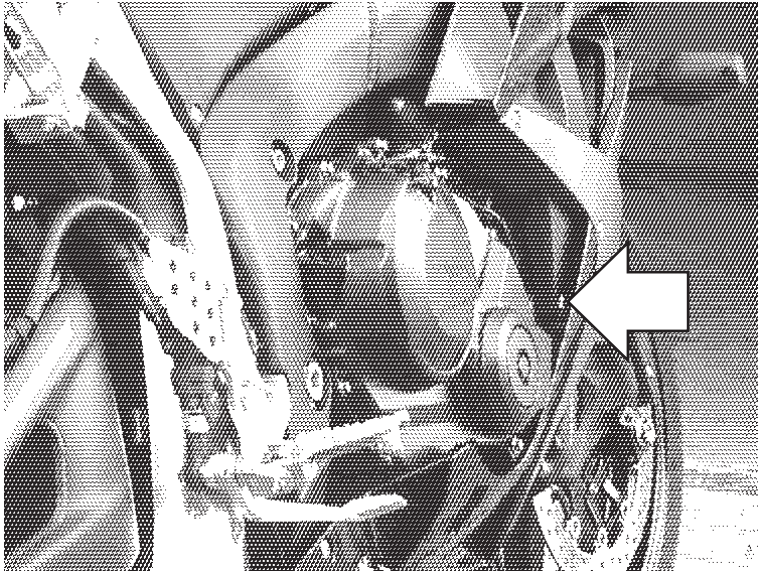


## V3 FRAME SLIDER KIT 2.0

# HONDA CBR 600 RR

year of production: '07-'08

product code: SR107

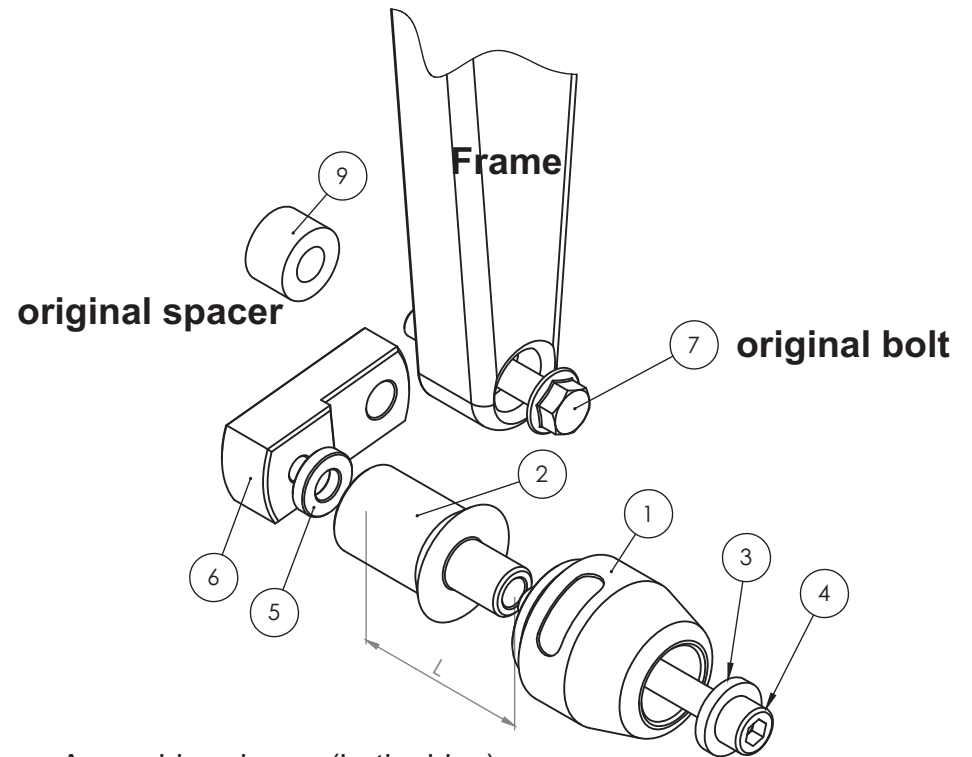


Assembly position  
(both sides)

### Assembly instructions

1. Remove the fairings and the bolts indicated with the arrows.
2. Remove the original Honda spacers which are originally placed between the frame and the engine body.
3. Replace the removed original Honda spacers with the aluminium adapters (parts #6) according to the attached drawing. Put the aluminium adapters (parts #6) in the right positions according to the drawing.
4. Assemble the sliders, round cylindrical body, the bolts, steel sleeve and the spacers (parts #1, #2, #3, #4 and #5) according to the drawing on the right page. Put them into the threaded holes in the adapter (part #6).
5. Assemble the fairings.

We suggest to use the threadlocker (eg. Loctite) to make sure that the vibrations of the engine do not loosen the bolts.



Assembly scheme (both sides)

Part #	Part name	Left side (as You sit on the motorbike)	Right side
1	Slider	1 pcs.	1 pcs.
2	Round cylindrical body	80 mm	60 mm
3	Steel sleeve	1 pcs.	1 pcs.
4	Allen bolt (8,8 class)	M10x110 mm	M10x90 mm
5	Spacer	t=20mm, d=5 mm	t=20mm, d=5 mm
6	Adapter	Aluminium	Aluminium
7	Mounting bolt 1	original	original
8	Mounting bolt 2	-	-
9	Spacer 1	original	original
10	Spacer 2	-	-
11	Nut	-	-
12	Washer	-	-

This product is a professional accessory to be used on the race track. Manufacturer and Seller take no responsibility for any damages occurred despite of using protective accessories.

Our website offers you a wide variety of motorcycle frame & body at affordable prices.