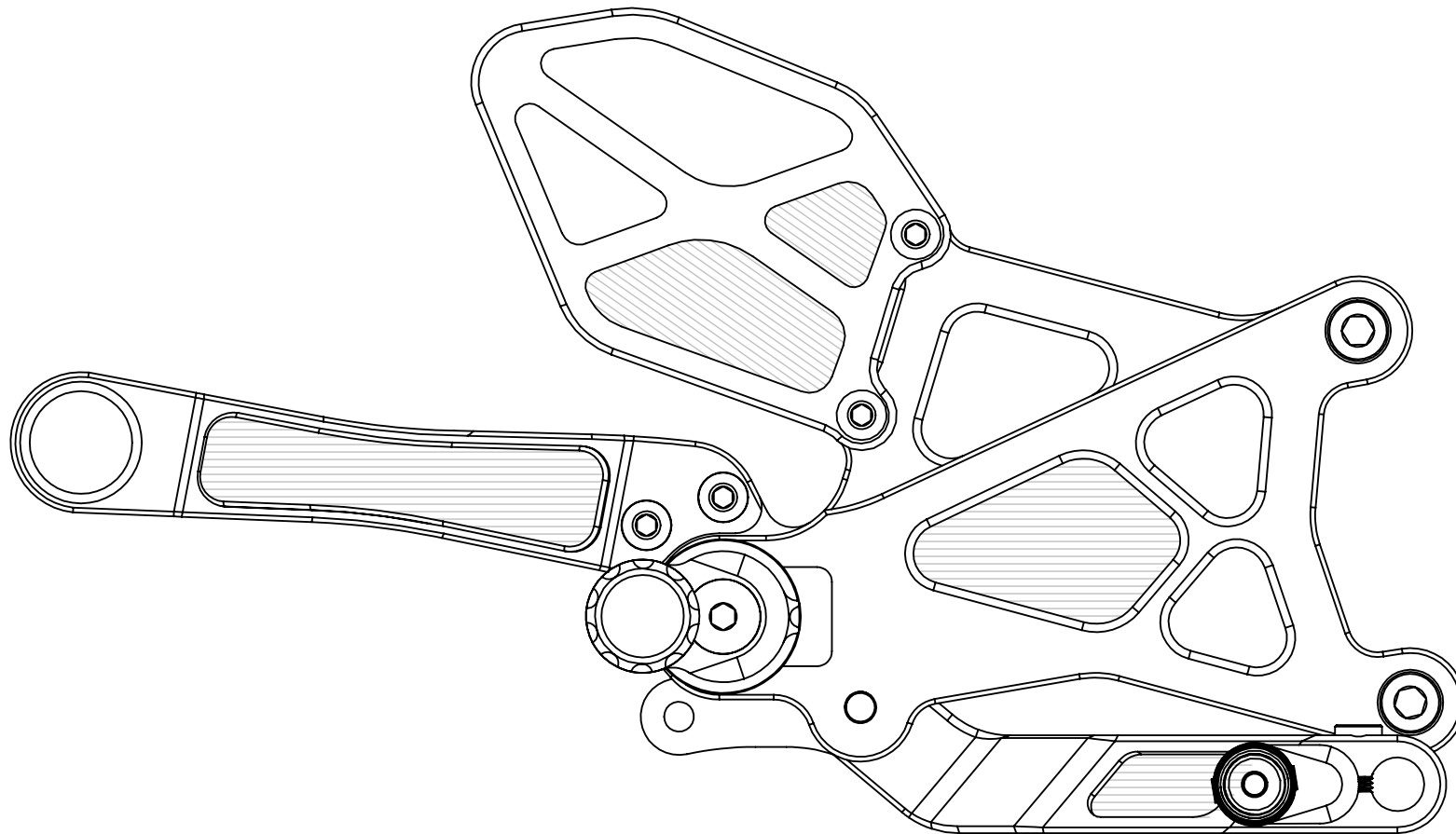


RS671 Brake Side INSTRUCTIONS

ASSEMBLY INFO & EXPLODED VIEW



THIS PRODUCT IS TO BE INSTALLED BY A CERTIFIED MECHANIC ONLY



RS671 Brake Side INSTRUCTIONS

RS671 Brake Bracket EXPLODED VIEW



INDEX



LUBRICATE



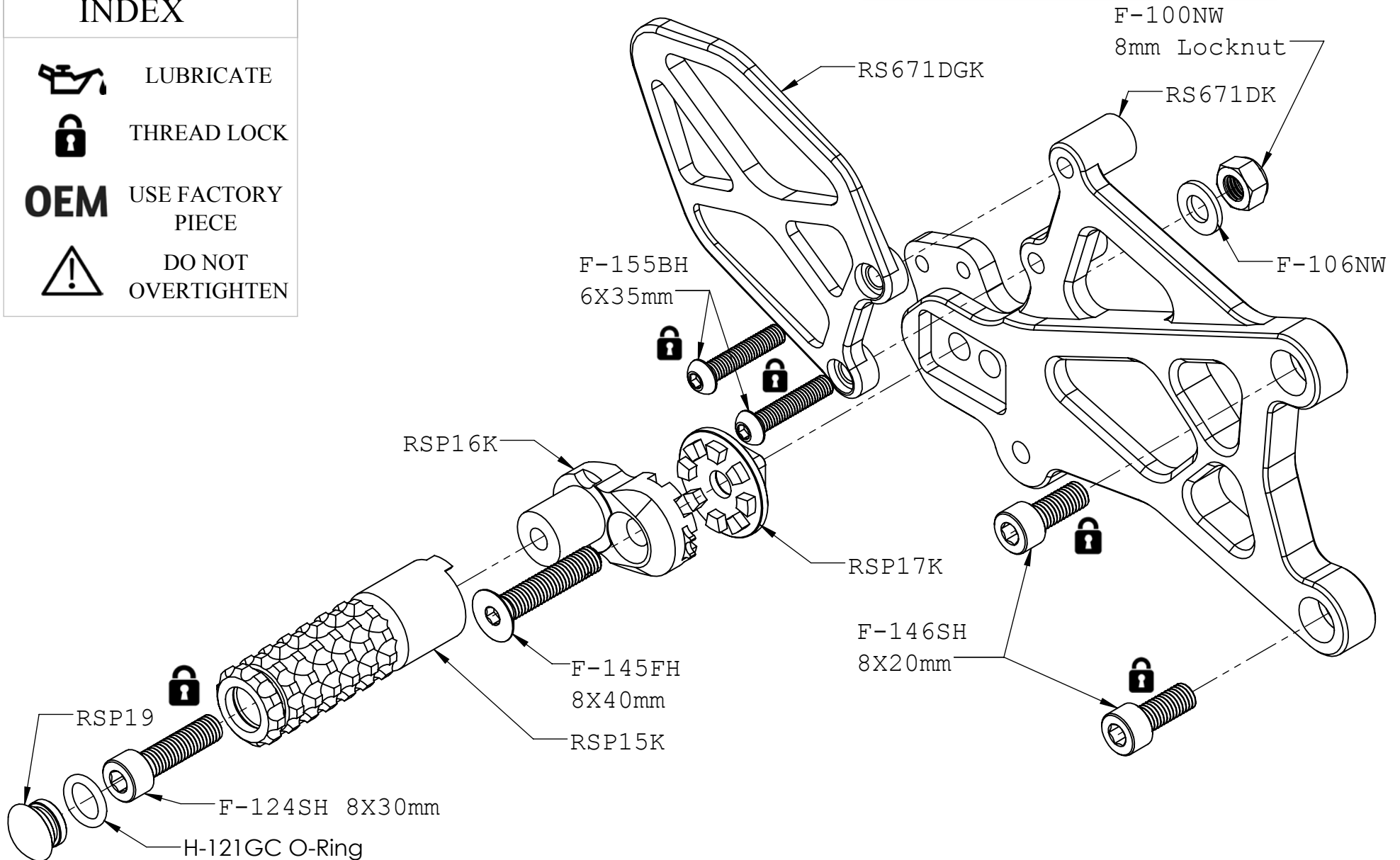
THREAD LOCK

OEM

USE FACTORY
PIECE



DO NOT
OVERTIGHTEN



EXHAUST BRACKET AND BOLTS HIDDEN, SHOWN ON NEXT PAGE

RS671 Brake Side INSTRUCTIONS

RS671 Brake Bracket EXPLODED VIEW



INDEX



LUBRICATE



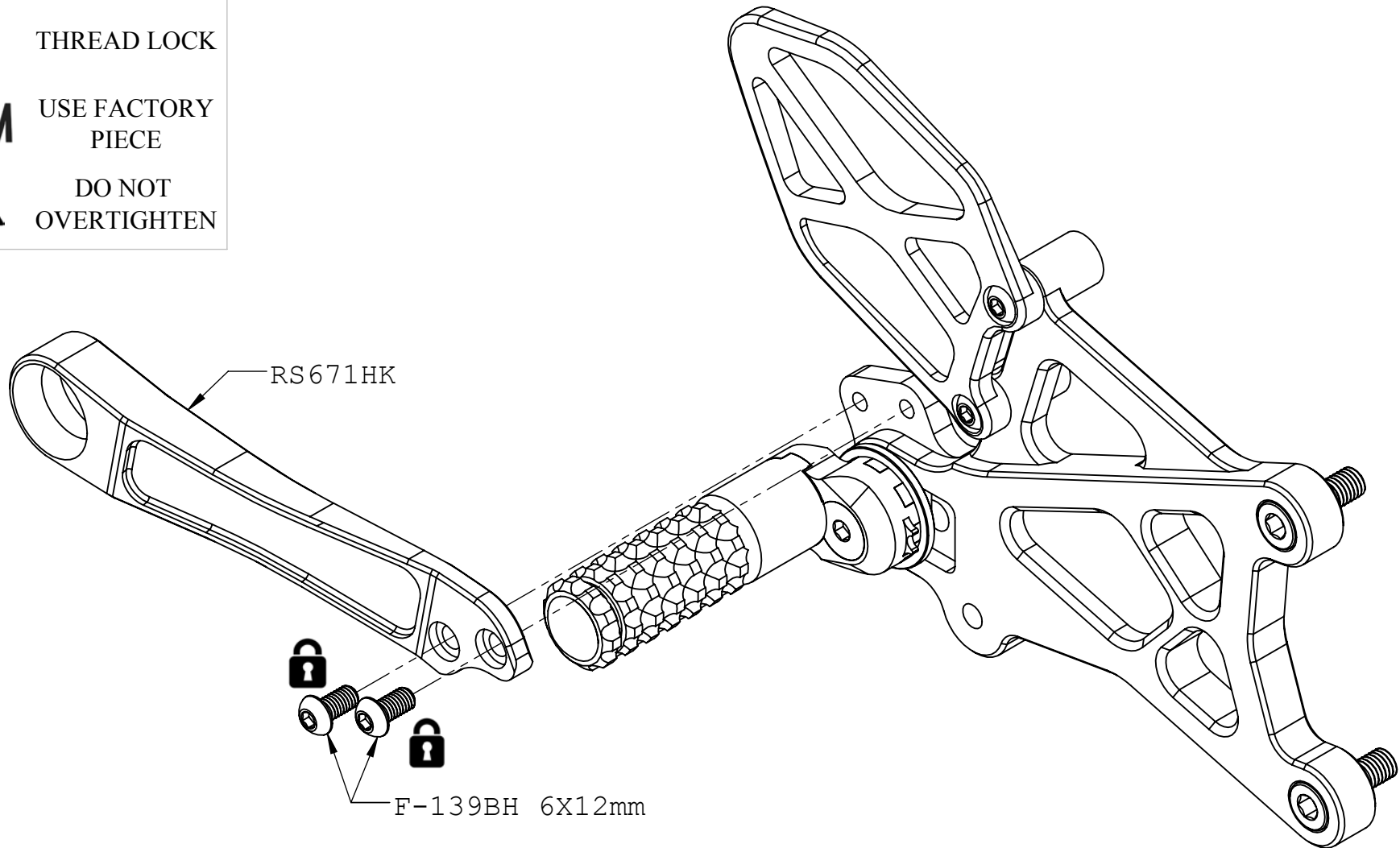
THREAD LOCK

OEM

USE FACTORY
PIECE



DO NOT
OVERTIGHTEN



RS671 Brake Side

INSTRUCTIONS

RS671 Brake Lever

EXPLODED VIEW



INDEX



LUBRICATE



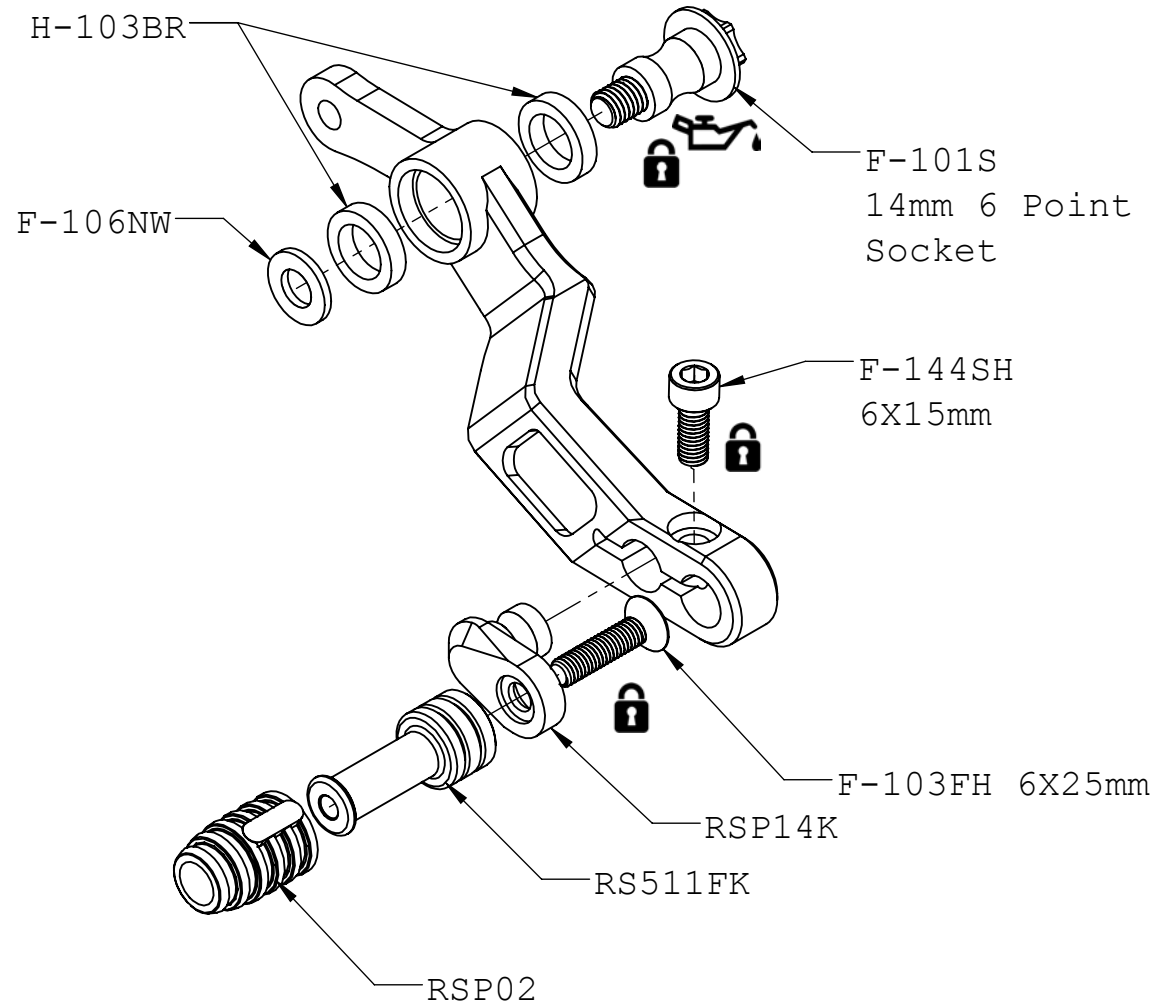
THREAD LOCK

OEM

USE FACTORY
PIECE



DO NOT
OVERTIGHTEN



RS671 Brake Side INSTRUCTIONS

Brake Side Cable Routing



RS671 Shift Side INSTRUCTIONS

ASSEMBLY INFO & EXPLODED VIEW

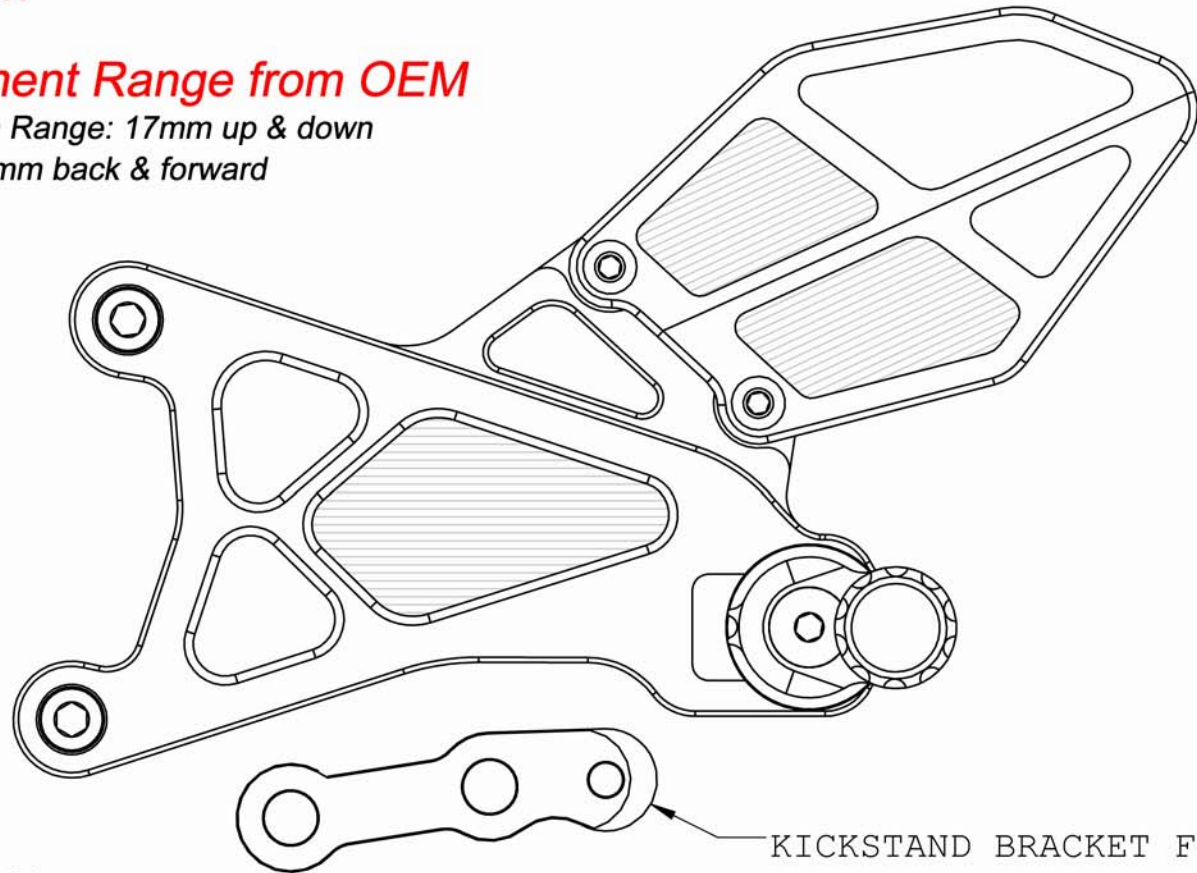
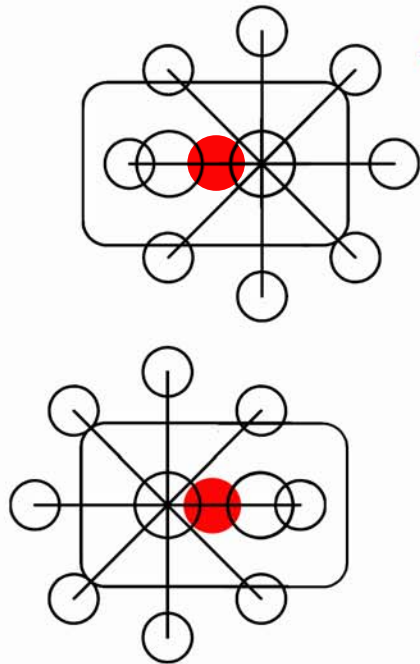


THIS PRODUCT IS TO BE INSTALLED BY A CERTIFIED MECHANIC ONLY

● OEM Footpeg Position

Adjustment Range from OEM

Maximum Range: 17mm up & down
23mm back & forward



STANDARD
SHIFT

GP SHIFT

KICKSTAND BRACKET FOR
RACE USE ONLY, ELIMINATES
KICKSTAND

RS671 Shift Side

INSTRUCTIONS

RS671 Shift Bracket

EXPLODED VIEW



INDEX



LUBRICATE



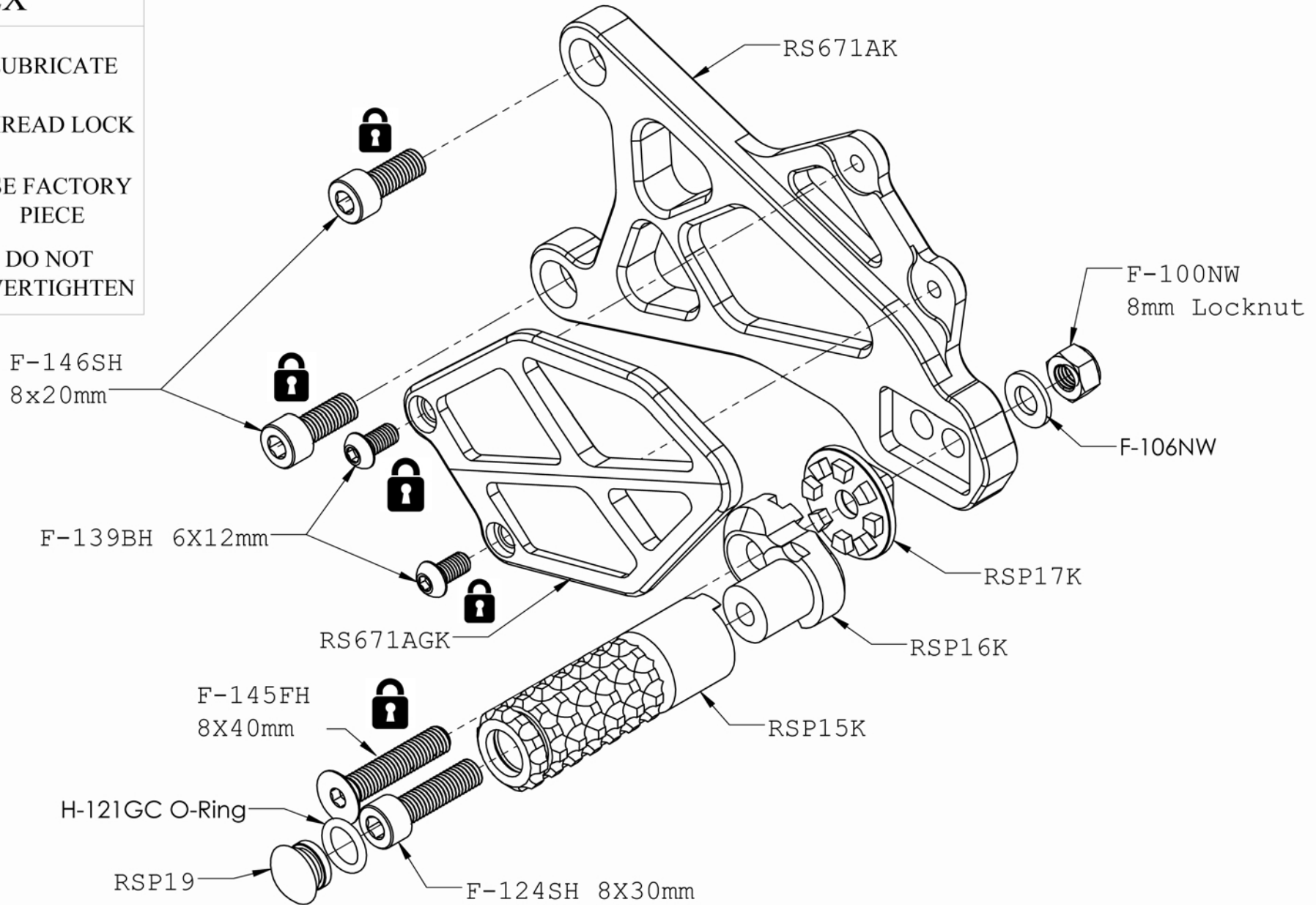
THREAD LOCK

OEM

USE FACTORY
PIECE



DO NOT
OVERTIGHTEN



INDEX



LUBRICATE



THREAD LOCK

OEM

USE FACTORY
PIECE



DO NOT
OVERTIGHTEN

