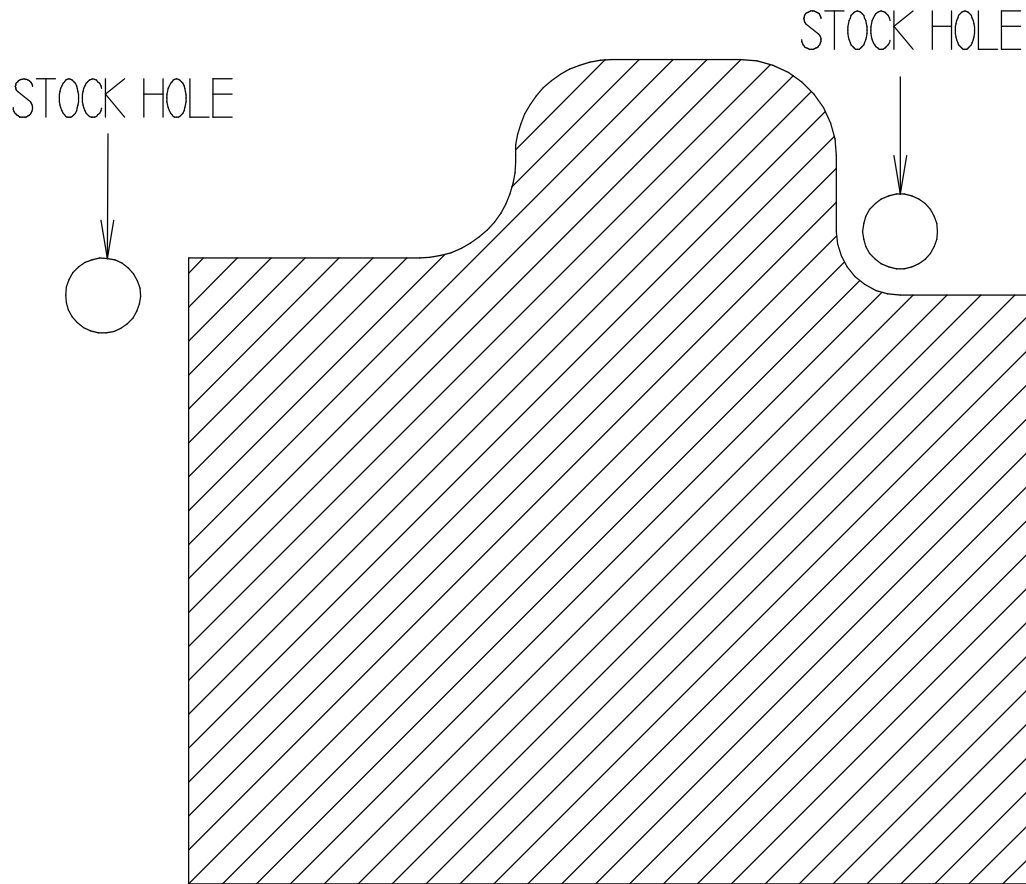


ALIGN WITH STOCK HOLES AS SHOWN.

CUT AWAY ALL PLASTIC & INSULATION  
INSIDE THE SHADED AREA.



Gview:TOP WCS:TOP Cplane:TOP

