

# RS553 INSTRUCTIONS

TO BE INSTALLED BY A CERTIFIED MECHANIC ONLY | FOR RACE USE ONLY

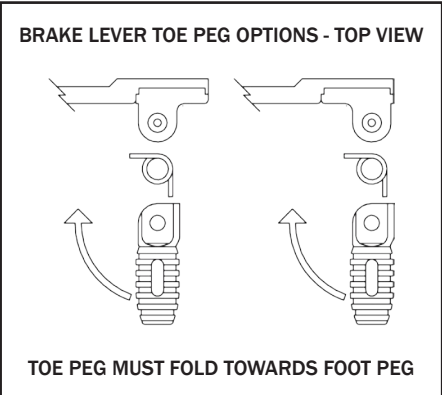
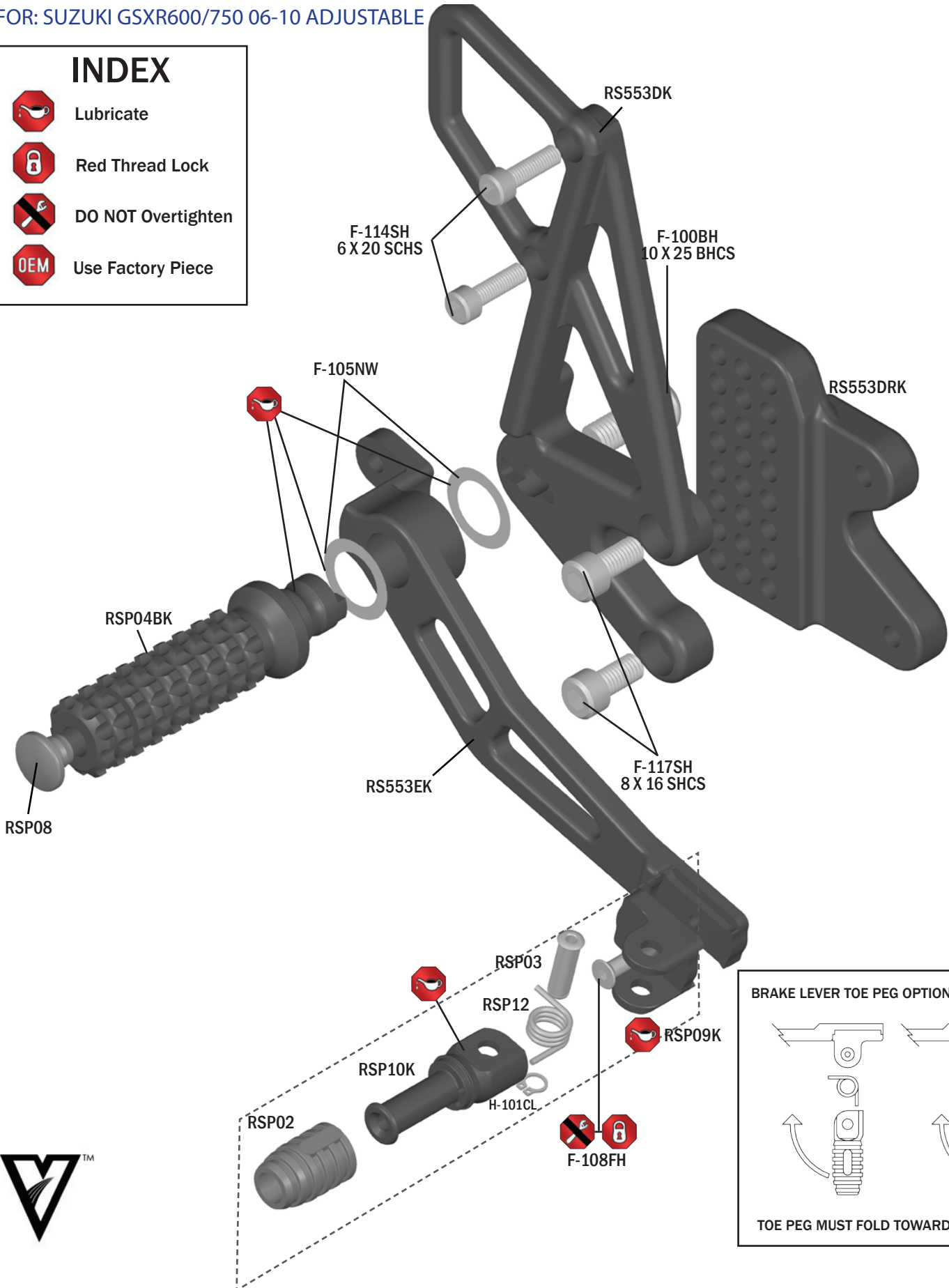
## BRAKE SIDE EXPLODED VIEW

FOR: SUZUKI GSXR600/750 06-10 ADJUSTABLE



### INDEX

-  Lubricate
-  Red Thread Lock
-  DO NOT Overtighten
-  Use Factory Piece



# RS553 INSTRUCTIONS

TO BE INSTALLED BY A CERTIFIED MECHANIC ONLY | FOR RACE USE ONLY

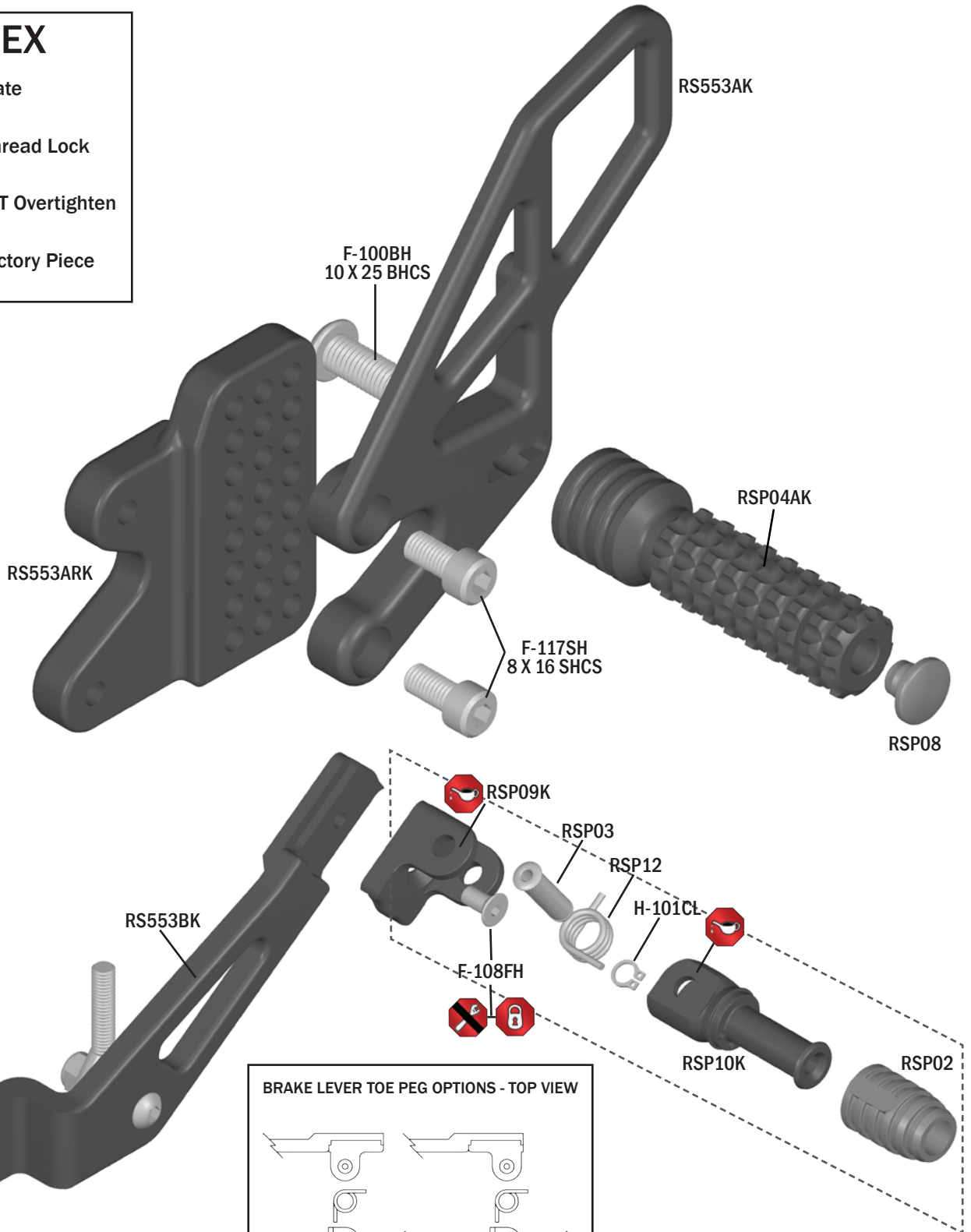
## SHIFT SIDE EXPLODED VIEW

FOR: SUZUKI GSXR600/750 06-10 ADJUSTABLE

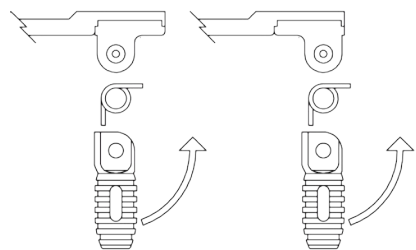


### INDEX

- Lubricate
- Red Thread Lock
- DO NOT Overtighten
- Use Factory Piece



### BRAKE LEVER TOE PEG OPTIONS - TOP VIEW



TOE PEG MUST FOLD TOWARDS FOOT PEG

