

# RS532 INSTRUCTIONS

TO BE INSTALLED BY A CERTIFIED MECHANIC ONLY | FOR RACE USE ONLY

## BRAKE SIDE EXPLODED VIEW

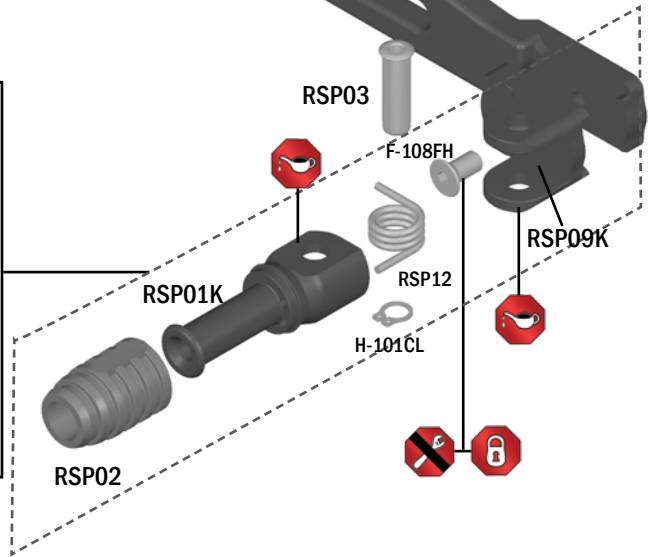
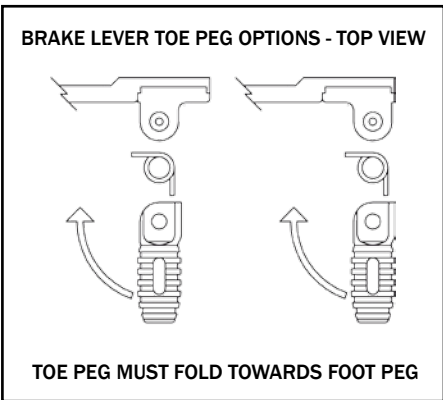
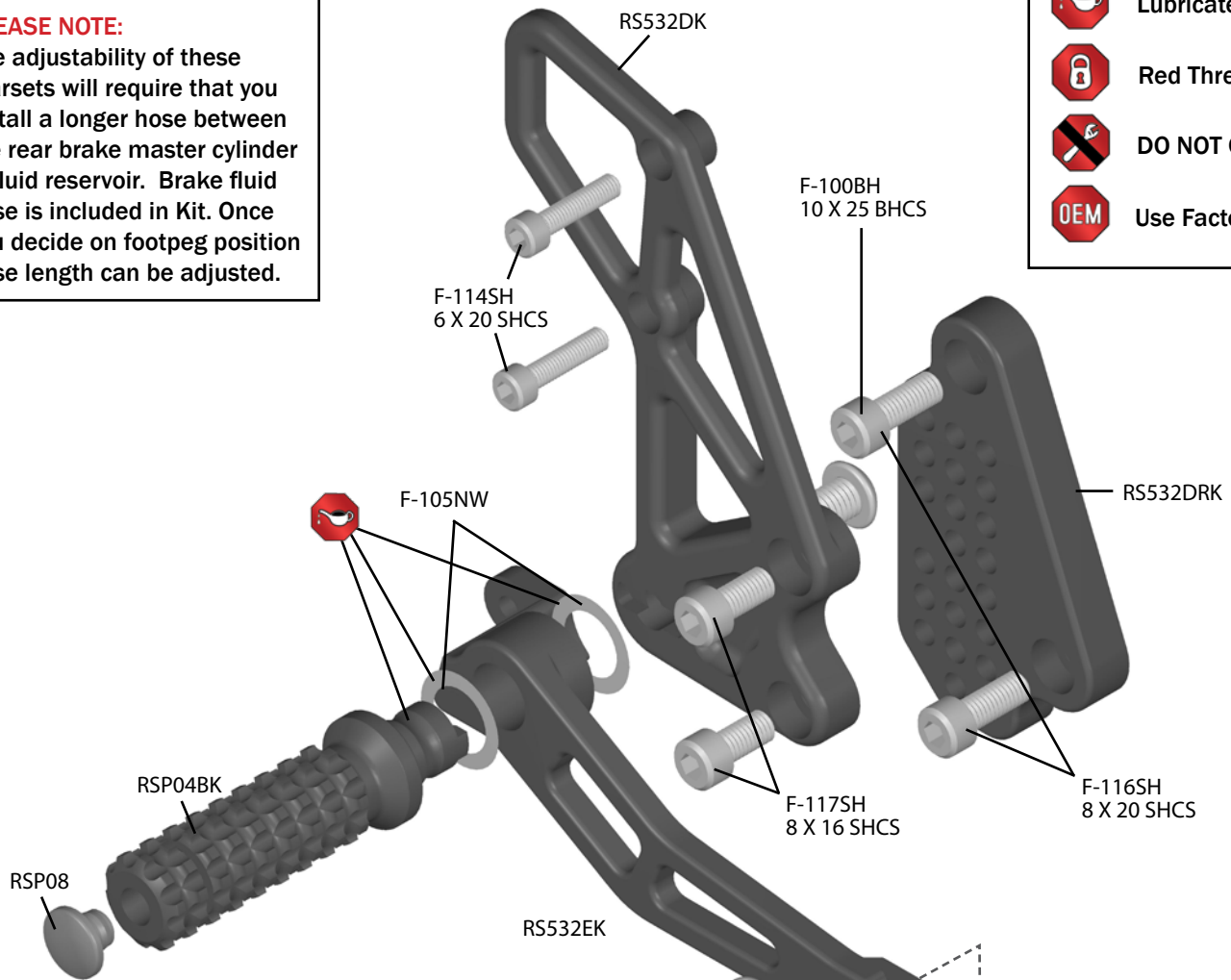
FOR: SUZUKI HAYABUSA GSXR1300 99-07



### INDEX

-  Lubricate
-  Red Thread Lock
-  DO NOT Overtighten
-  Use Factory Piece

**PLEASE NOTE:**  
The adjustability of these rearsets will require that you install a longer hose between the rear brake master cylinder & fluid reservoir. Brake fluid hose is included in Kit. Once you decide on footpeg position hose length can be adjusted.



### BRAKE LIGHT INFO:

These rearsets do not use: OEM rear brake light switch, spring & lever return spring. In race form these rear sets no longer activate rear brake light from rear brake lever. Street use requires rear brake light to be activated by rear & front brake levers. To achieve rear brake light activation from rear brake lever use Vortex in-line pressure switch RS100.



# RS532 INSTRUCTIONS

TO BE INSTALLED BY A CERTIFIED MECHANIC ONLY | FOR RACE USE ONLY

## SHIFT SIDE EXPLODED VIEW

FOR: SUZUKI HAYABUSA GSXR1300 99-07



### INDEX



Lubricate



Red Thread Lock

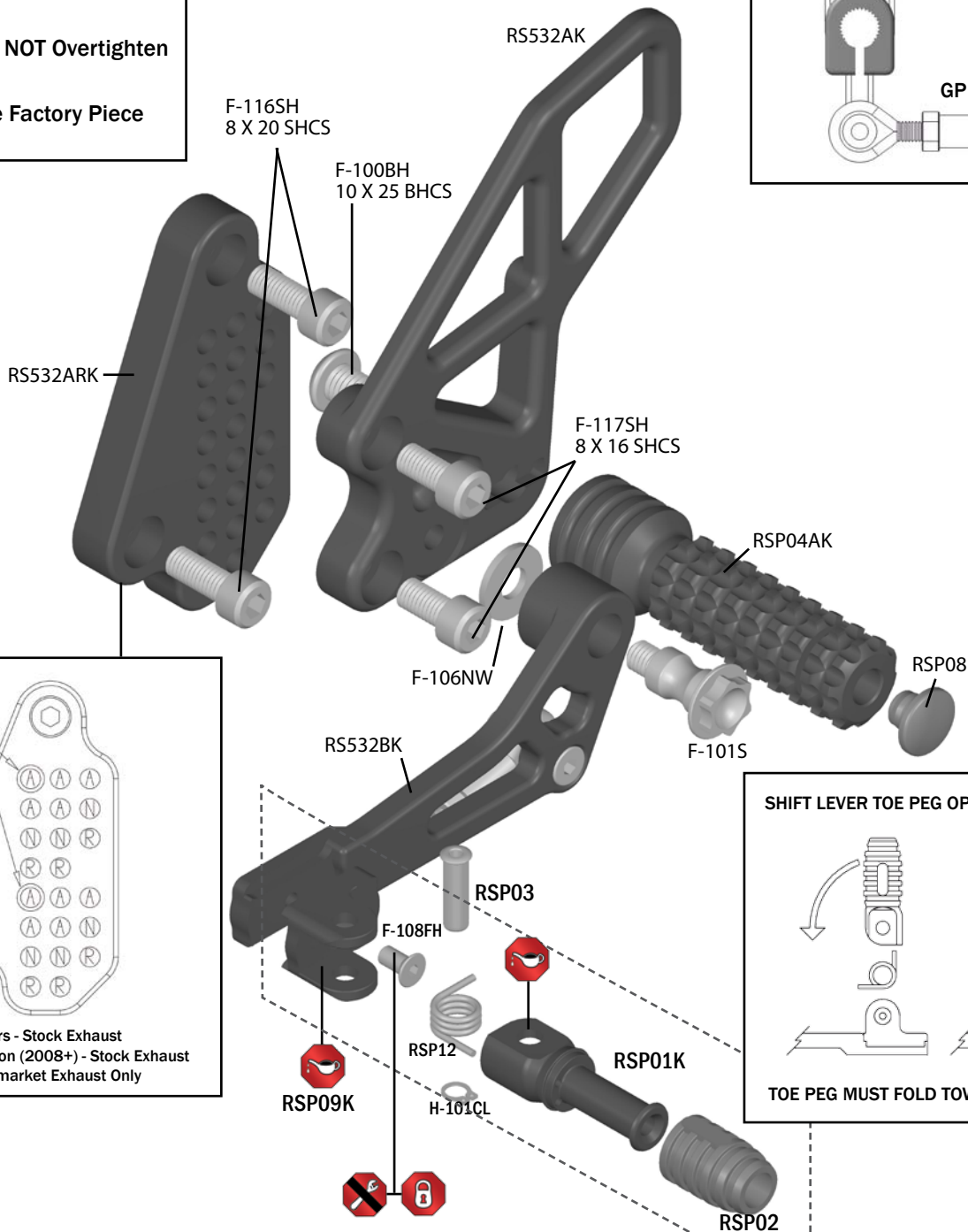
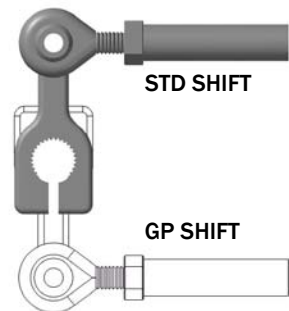


DO NOT Overtighten

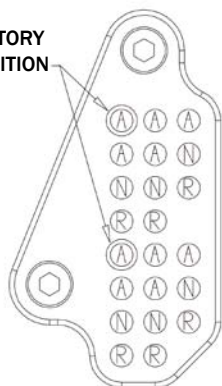


Use Factory Piece

### REVERSE SHIFT

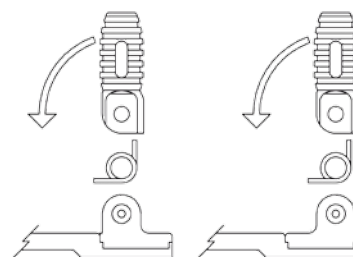


### FACTORY POSITION



A = All Model Years - Stock Exhaust  
 N = New Generation (2008+) - Stock Exhaust  
 R = Race or Aftermarket Exhaust Only

### SHIFT LEVER TOE PEG OPTIONS - TOP VIEW



TOE PEG MUST FOLD TOWARDS FOOT PEG

