

# RS510 INSTRUCTIONS

TO BE INSTALLED BY A CERTIFIED MECHANIC ONLY | FOR RACE USE ONLY

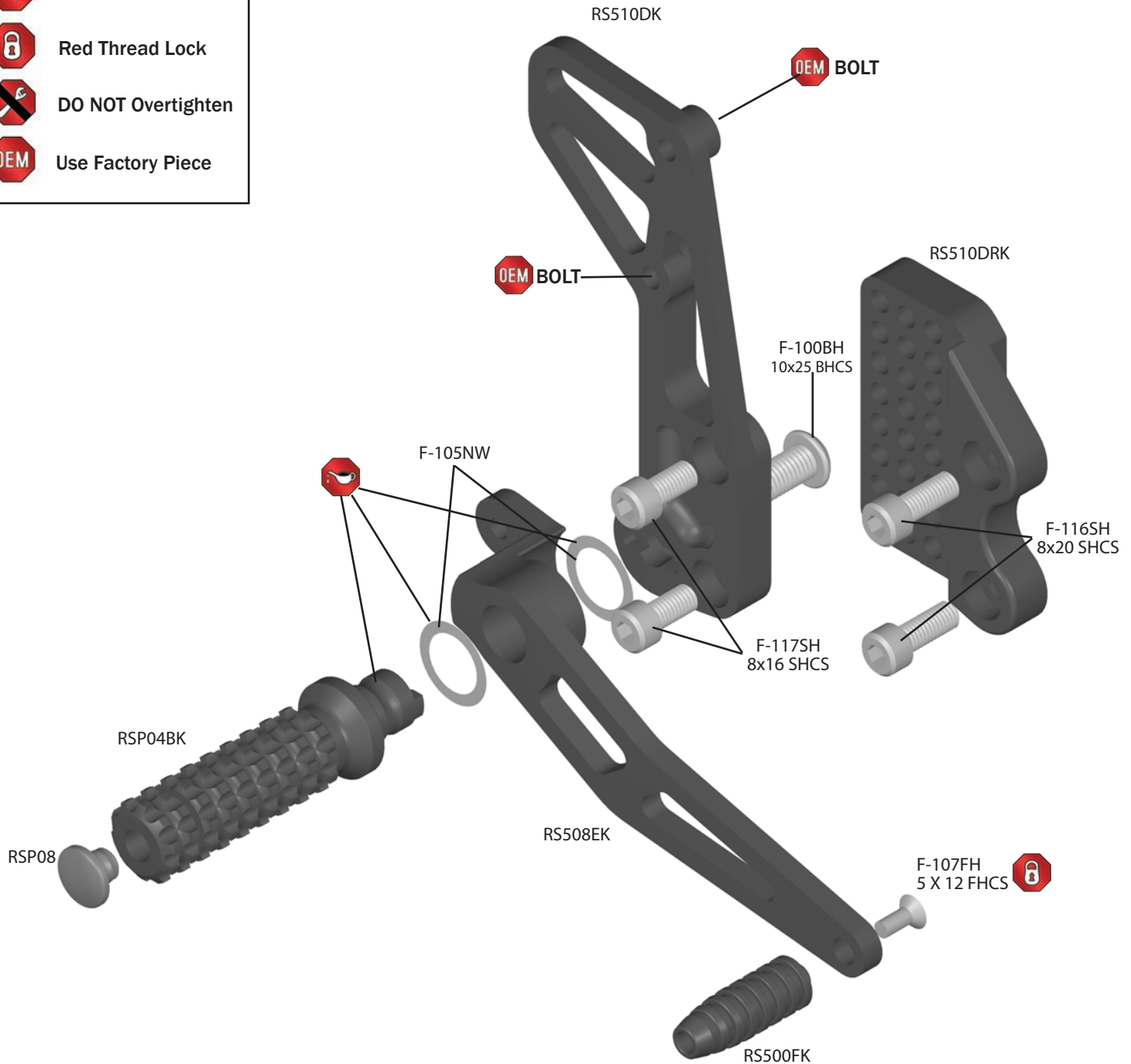
## BRAKE SIDE EXPLODED VIEW

FOR: SUZUKI GSXR1000 05-06



### INDEX

-  Lubricate
-  Red Thread Lock
-  DO NOT Overtighten
-  Use Factory Piece



### BRAKE LIGHT INFO:

These rearsets do not use: OEM rear brake light switch, spring & lever return spring. In race form these rear sets no longer activate rear brake light from rear brake lever. Street use requires rear brake light to be activated by rear & front brake levers. To achieve rear brake light activation from rear brake lever use Vortex in-line pressure switch RS100.



# RS510 INSTRUCTIONS

TO BE INSTALLED BY A CERTIFIED MECHANIC ONLY | FOR RACE USE ONLY

## SHIFT SIDE EXPLODED VIEW

FOR: SUZUKI GSXR1000 05-06



### INDEX



Lubricate



Red Thread Lock



DO NOT Overtighten



Use Factory Piece

