

# RS273 INSTRUCTIONS

TO BE INSTALLED BY A CERTIFIED MECHANIC ONLY | FOR RACE USE ONLY

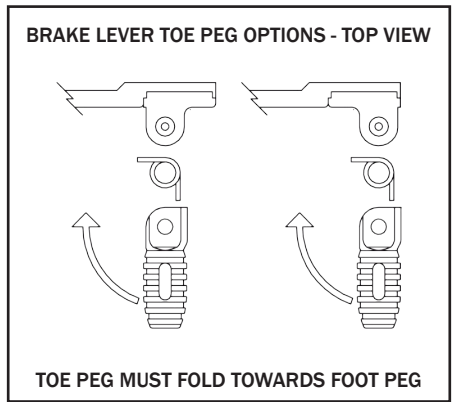
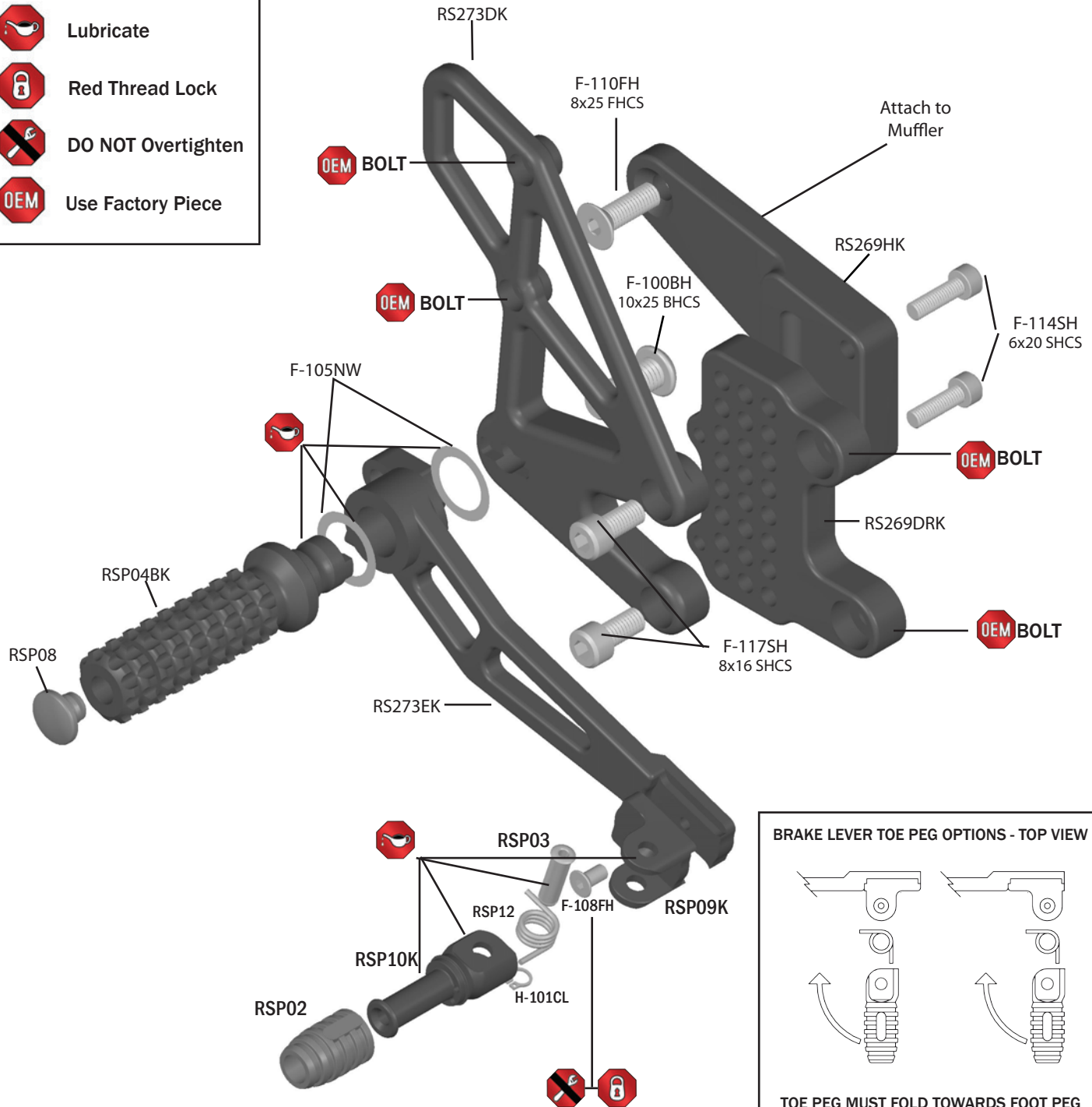
## BRAKE SIDE EXPLODED VIEW

FOR: HONDA CBR1000RR 2008-2010



### INDEX

-  Lubricate
-  Red Thread Lock
-  DO NOT Overtighten
-  Use Factory Piece



### BRAKE LIGHT INFO:

These rearsets do not use: OEM rear brake light switch, spring & lever return spring. In race form these rear sets no longer activate rear brake light from rear brake lever. Street use requires rear brake light to be activated by rear & front brake levers. To achieve rear brake light activation from rear brake lever use Vortex in-line pressure switch RS100.



# RS273 INSTRUCTIONS

TO BE INSTALLED BY A CERTIFIED MECHANIC ONLY | FOR RACE USE ONLY

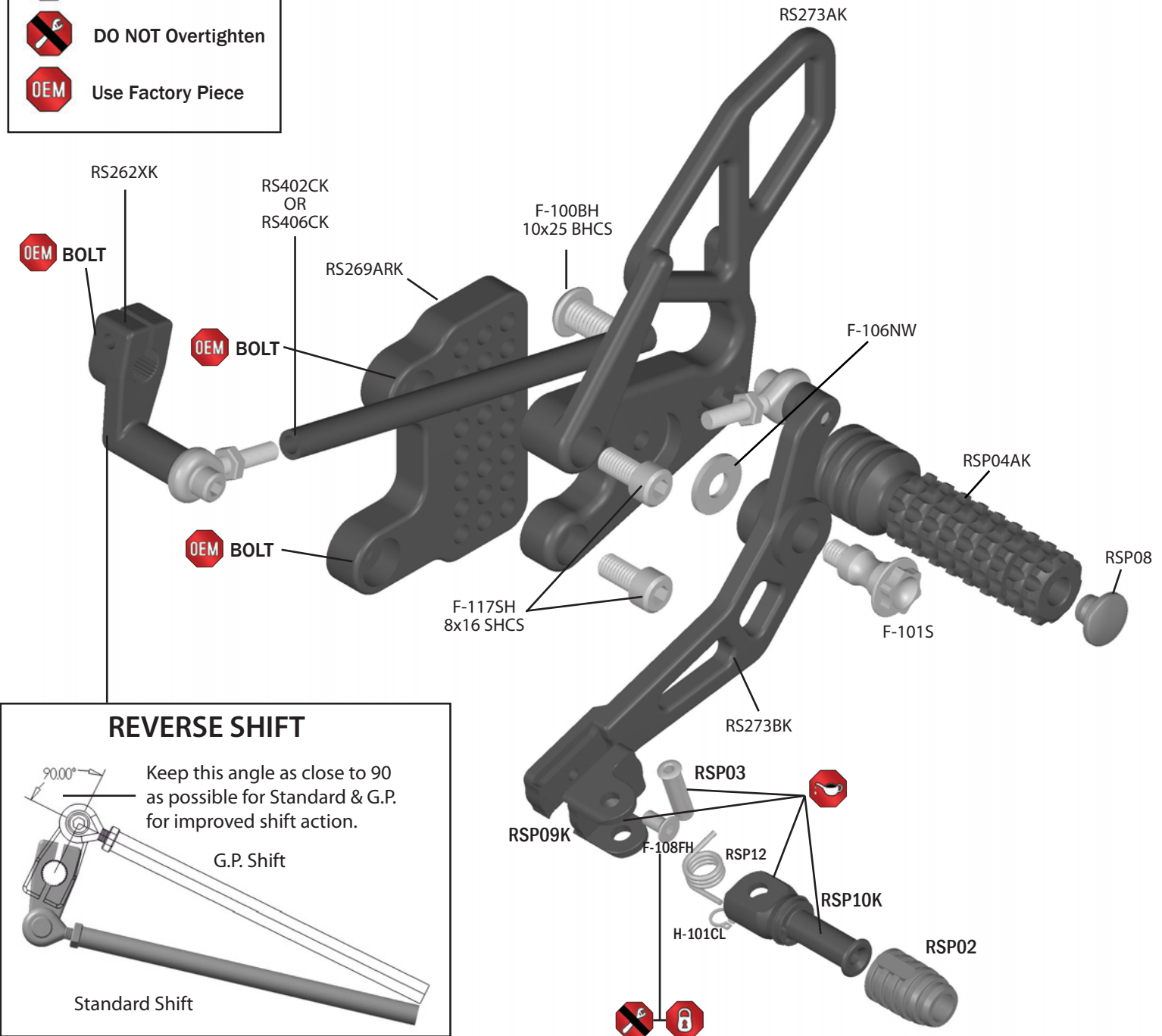
## SHIFT SIDE EXPLODED VIEW

FOR: HONDA CBR1000RR 2008-2010



### INDEX

-  Lubricate
-  Red Thread Lock
-  DO NOT Overtighten
-  Use Factory Piece



### REVERSE SHIFT

Keep this angle as close to 90° as possible for Standard & G.P. for improved shift action.

