

RS265 INSTRUCTIONS

TO BE INSTALLED BY A CERTIFIED MECHANIC ONLY | FOR RACE USE ONLY

BRAKE SIDE EXPLODED VIEW

FOR: HONDA CBR600RR 07-10



INDEX



Lubricate



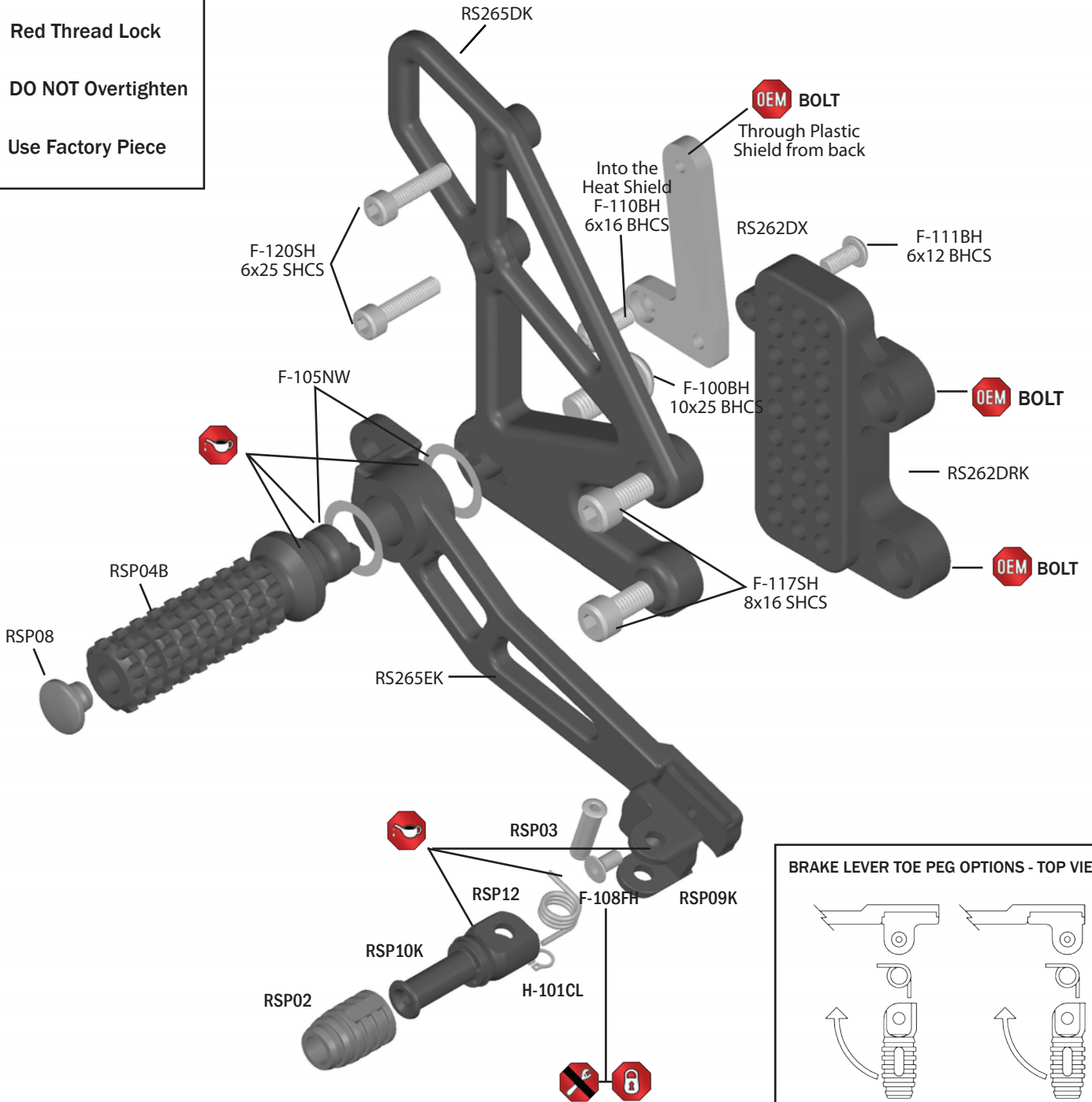
Red Thread Lock



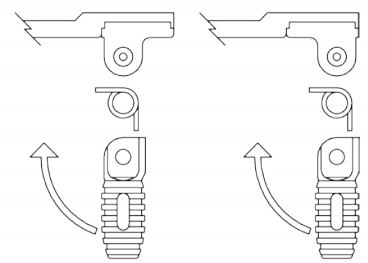
DO NOT Overtighten



Use Factory Piece



BRAKE LEVER TOE PEG OPTIONS - TOP VIEW



TOE PEG MUST FOLD TOWARDS FOOT PEG

BRAKE LIGHT INFO:

These rearsets do not use: OEM rear brake light switch, spring & lever return spring. In race form these rear sets no longer activate rear brake light from rear brake lever. Street use requires rear brake light to be activated by rear & front brake levers. To achieve rear brake light activation from rear brake lever use Vortex in-line pressure switch RS100.



RS265 INSTRUCTIONS

TO BE INSTALLED BY A CERTIFIED MECHANIC ONLY | FOR RACE USE ONLY

SHIFT SIDE EXPLODED VIEW

FOR: HONDA CBR600RR 07-10



INDEX



Lubricate



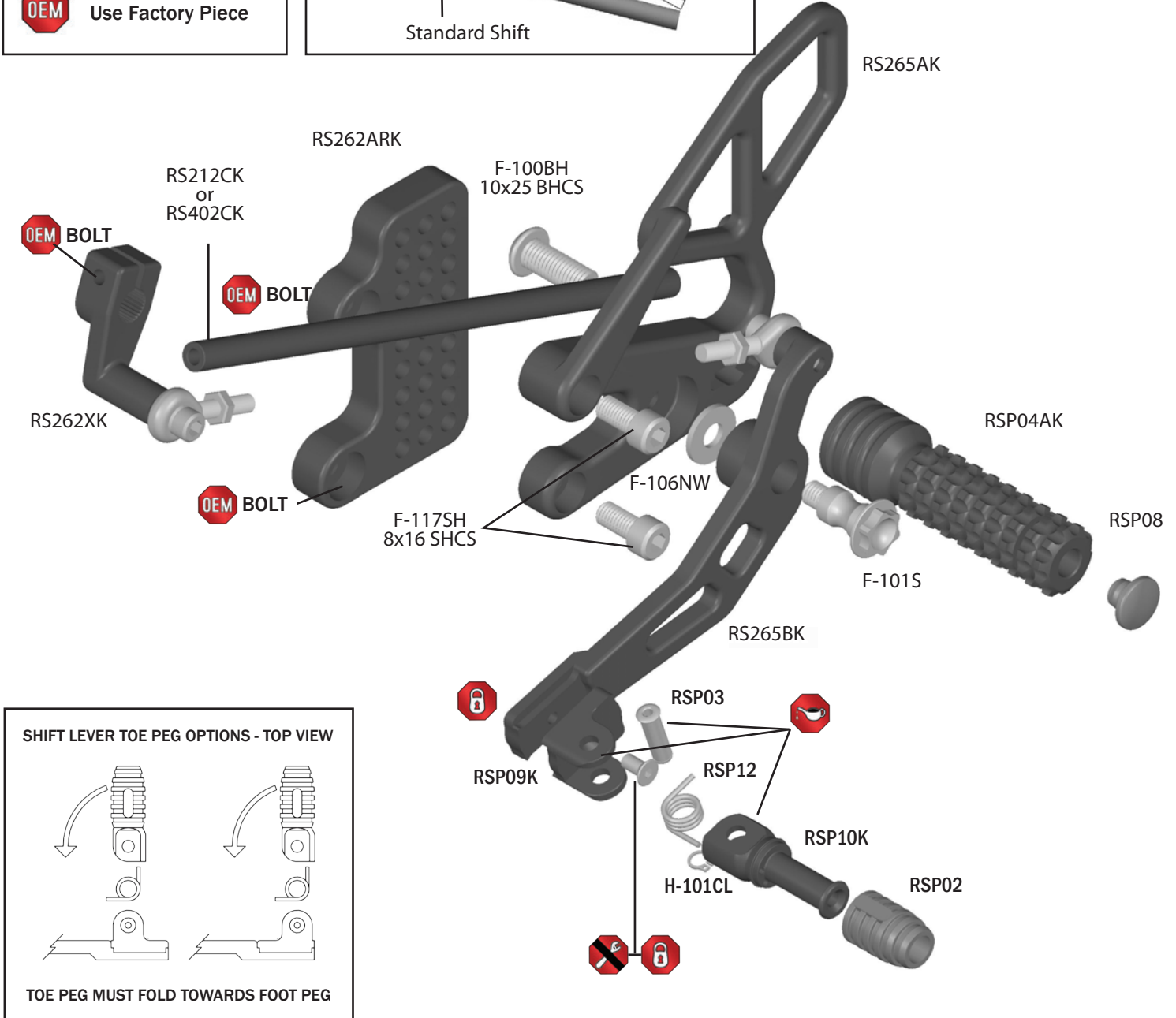
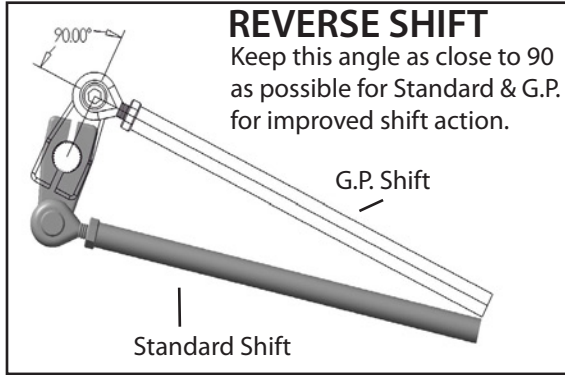
Red Thread Lock



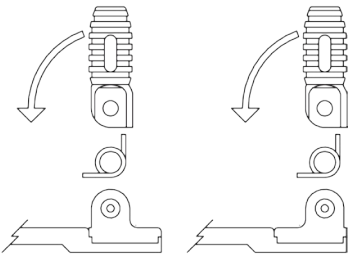
DO NOT Overtighten



Use Factory Piece



SHIFT LEVER TOE PEG OPTIONS - TOP VIEW



TOE PEG MUST FOLD TOWARDS FOOT PEG

