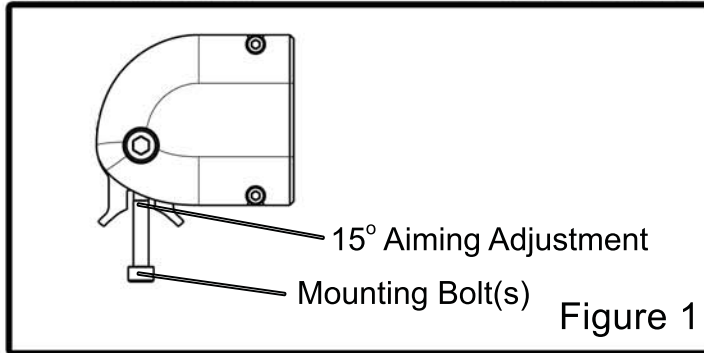


SMITTER HIGH INTENSITY LED LIGHT BARS

Installations Instructions & User Guide



Mounting –

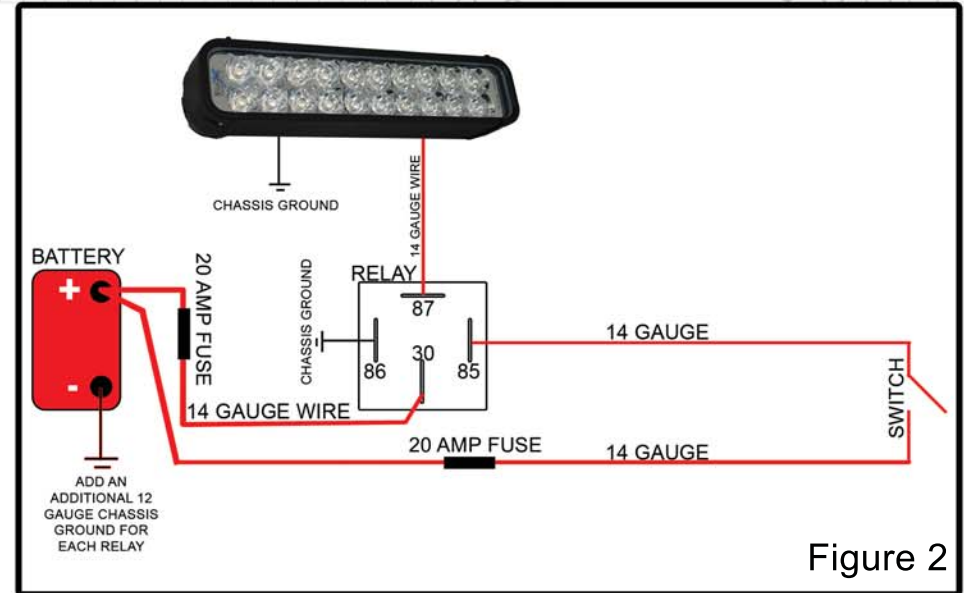
Mount light securely; making sure bracket is square with vehicle. Tighten bolt on the bottom of the bracket to 50 ft/lbs.

Adjust light –

A good reference point is at 20 ft; the top of the beam should be 3" down from center of light (with the light bar at dead center). Tighten light and enjoy.

Wiring –

All electronics are internal so there is no need to mount external electronics. Each light has a simple 2 wire hook up. Red being + 12v and black being – 12v. Lights should be wired to a switch through a relay with a maximum of 2 lights per relay, up to 12" bars, and 1 light per relay for larger, for optimum durability and performance. Each relay should be wired as follows:



Wiring (Continued) –

- 86 – chassis ground
- 85 – 12v + trigger from switch
- 30 – 14 gauge 12+ from battery (minimum gauge is 14 for 2 lights)
- 87 – 14 gauge out to red wire on lights (max 2 lights per relay pack)

Duplicate relay packs can be wired for additional lights. Switch trigger can be jumped from relay to relay.

Remaining black wire on light should be chassis grounded; making sure grounding surface is cleaned down to metal, using a stainless steel bolt to secure grounding ring.



Congratulations on buying the best in off-road lights, the Vision X Off-Road XMITTER

XMITTER LIGHT BAR WARNINGS:

As with many other high-tech products, this LED Light Bar also requires a bit of attention before you can use it. Please read the accompanying information carefully first!

- Do not stare directly into the light or shine directly into the eyes of another person as this may cause loss of vision.
- Never disassemble the products, as all parts must be factory serviced to insure proper operation.
- Do not change the parts inside this light with parts from another company's product.
- Do not let water enter the housing. While Vision X Off Road Lights are both weather and water resistant, it is not designed to be submersible.
- The off road light is designed to be mounted on the vehicle only in vertical or suspended positions.
- Do not allow objects or skin to touch a hot lens due to risk of burn.
- Installation and light change may only be performed by qualified or properly trained individuals.
- The off road light must not adversely affect the performance of low beam, high beam, engine cooling, or the driver's vision.
- We recommend completely reading instructions before installing.
- Consult your local or state regulatory agency regarding the use of auxiliary lighting.

Also available for your light from Vision X Off Road

- Replacement Parts
- Flood Lens
- Additional Wiring Harnesses
- Billet Aluminum Tube Mounting Brackets (1.5" to 2")

