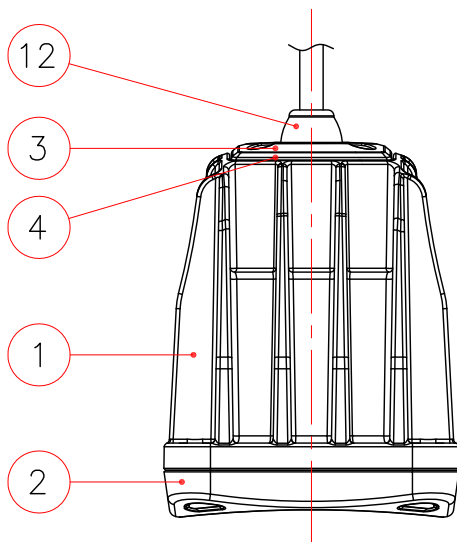
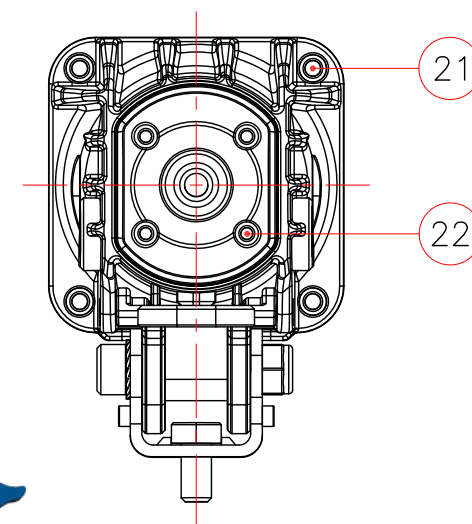
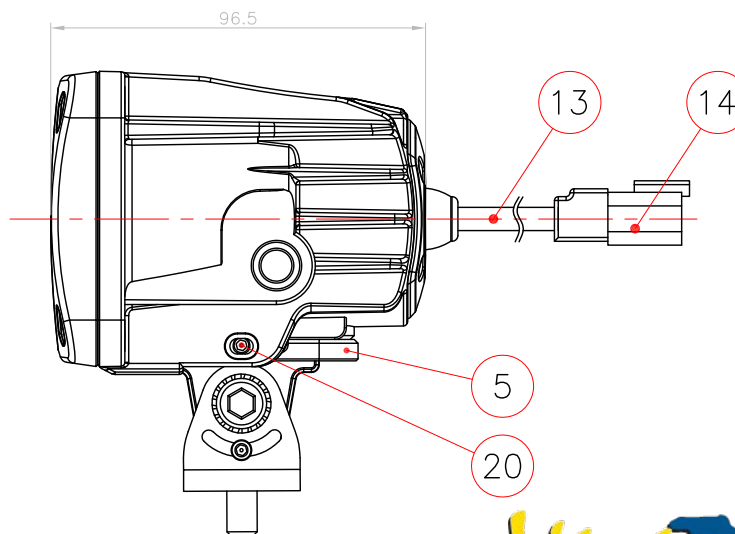
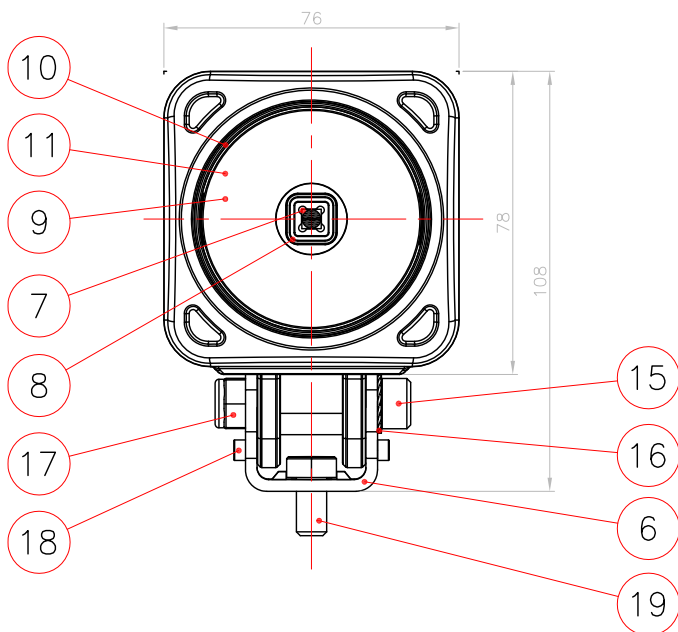


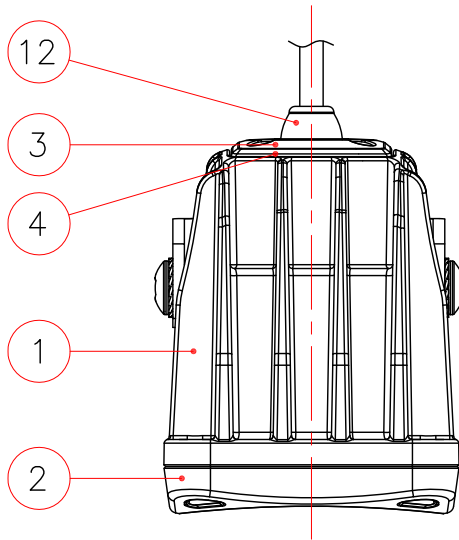
[SPECIFICATION]

1. OPERATING VOLTAGE : DC 12V ~ 32V
2. WATTAGE : 10W
3. LED : 10W (XML-CREE)
4. REFLECTOR : PC
5. WEIGHT : 750 (g)
6. VIBRATION : - (Grms)
7. WEATHER PROOF & DUST RESISTANCE
8. TEMPERATURE : -40 °C ~ 85°C
9. LIFE : 50,000 (Hr)
10. P RATING : IP68



22	BOLT	M3X12 (ALLEN/SUS#304/NYLOK)	4	
21	BOLT	M4X10 (ALLEN/SUS#304/NYLOK)	4	
20	BOLT	M4X8+M4X10 (ALLEN/SUS#304/NYLOK)	3	
19	BOLT	M8X30 (HEX/SUS#304/NYLOK)	1	
18	BOLT	M3X10 (ALLEN/SUS#304)	2	
17	NUT	M8 (SUS#304/NYLON)	1	
16	WASHER	M8	2	
15	BOLT	M8X45 (ALLEN/SUS#304/NYLOK)	1	
14	DEUTSCH-2P	RECEPTACLE:DT04-2P-E004/WEDGE:W2P	1	
13	CABLE-WIRE	18AWG (150mm)	1	
12	CORD-BUSHING	EPDM	1	
11	PC-COVER	PC (3T/CLEAR)	1	
10	SEAL-TUBE	SILICONE	1	
9	REFLECTOR	PC (VACUUM EVAPORATION COATING)	1	
8	REFLECTOR-GUIDE	PC (VACUUM EVAPORATION COATING)	1	
7	LED-PCB	XML (SOLO)	1	
6	LOW-BRKT	PO/3.2t	1	
5	FIXTURE-BRKT	ZnDC2 (LIQUID-COATING)	1	
4	REAR-GASKET	SILICONE	1	
3	REAR-COVER	ALDC12 (POWDER-COATING)	1	
2	TOP-COVER	ALDC12 (POWDER-COATING)	1	
1	BODY	ALDC12 (POWDER-COATING)	1	
NO	PARTS NAME	SPEC (FINISHING)	Q'TY	REMARK

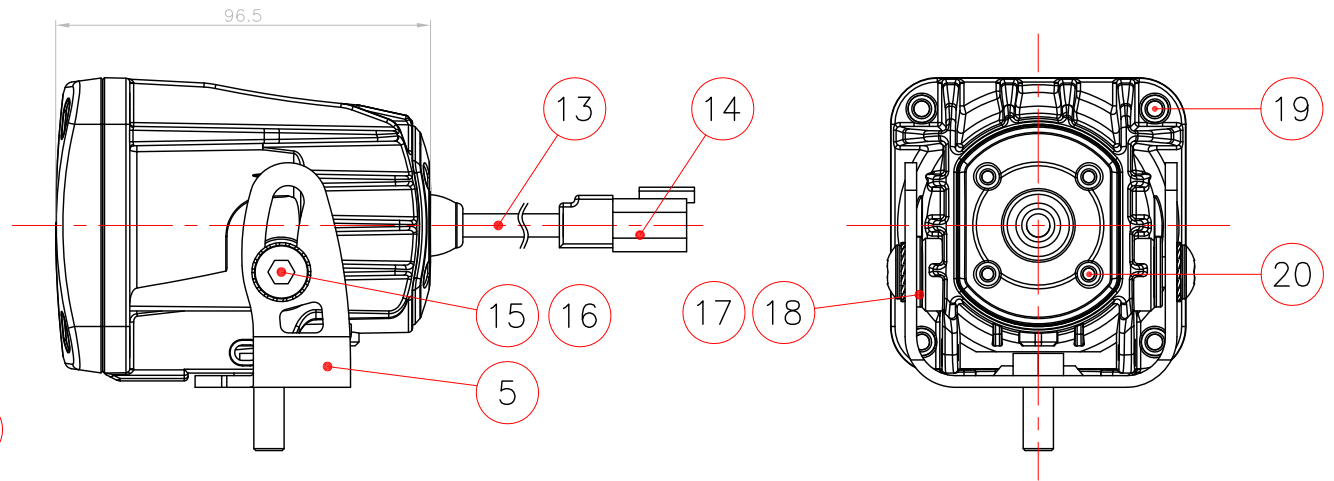
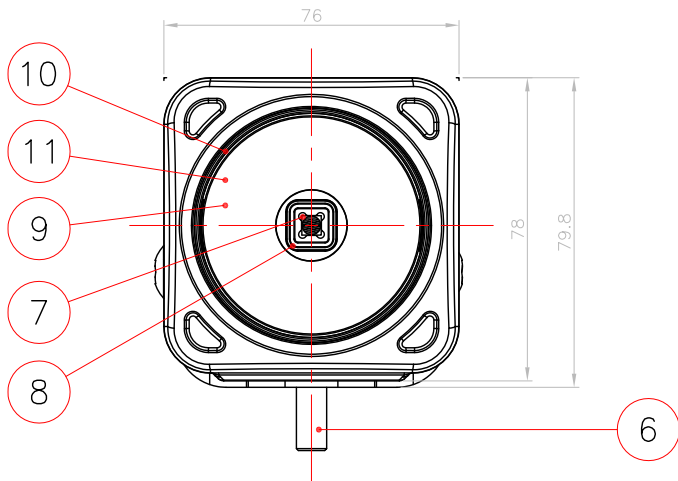


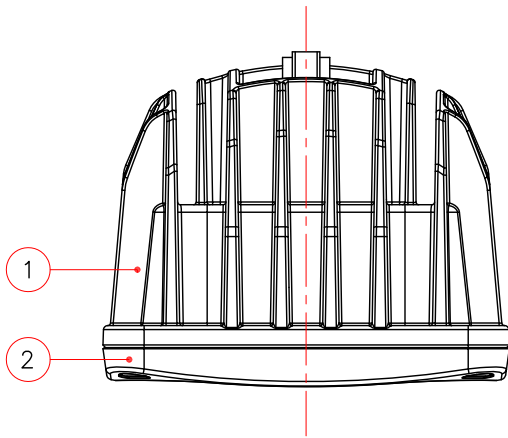


[SPECIFICATION]

1. OPERATING VOLTAGE : DC 12V ~ 32V
2. WATTAGE : 10W
3. LED : 10W (XML-CREE)
4. LUMINOUS FLUX : 630 (lm)
5. REFLECTOR : PC
6. WEIGHT : 620 (g)
7. VIBRATION : - (Grms)
8. WEATHER PROOF & DUST RESISTANCE
9. TEMPERATURE : -40 °C ~ 85°C
10. LIFE : 50,000 (Hr)
11. IP RATING : IP68

20	BOLT	M3X12 (ALLEN/SUS#304/NYLOK)	4	
19	BOLT	M4X10 (ALLEN/SUS#304/NYLOK)	4	
18	SIDE-BUSHING	EPDM	2	
17	WASHER	M8 (1T/SUS)	2	
16	WASHER	M8	2	
15	BOLT	TH-M8X15 (ALLEN/SUS#304/NYLOK)	2	
14	DEUTSCH-2P	RECEPTACLE:DT04-2P-E004/WEDGE:W2P	1	
13	CABLE-WIRE	18AWG (150mm)	1	
12	CORD-BUSHING	EPDM	1	
11	PC-COVER	PC (3T/CLEAR)	1	
10	SEAL-TUBE	SILICONE	1	
9	REFLECTOR	PC (VACUUM EVAPORATION COATING)	1	
8	REFLECTOR-GUIDE	PC (VACUUM EVAPORATION COATING)	1	
7	LED-PCB	XML (SOLO)	1	
6	BOLT	M8X30 (HEX/SUS#304/NYLOK)	1	
5	TRUNNION-BRKT	PO/3.2t (BODY SAME-COLOR SPRAY)	1	
4	REAR-GASKET	SILICONE	1	
3	REAR-COVER	ALDC12 (POWDER-COATING)	1	
2	TOP-COVER	ALDC12 (POWDER-COATING)	1	
1	BODY	ALDC12 (POWDER-COATING)	1	
NO	PARTS NAME	SPEC (FINISHING)	Q'TY	REMARK

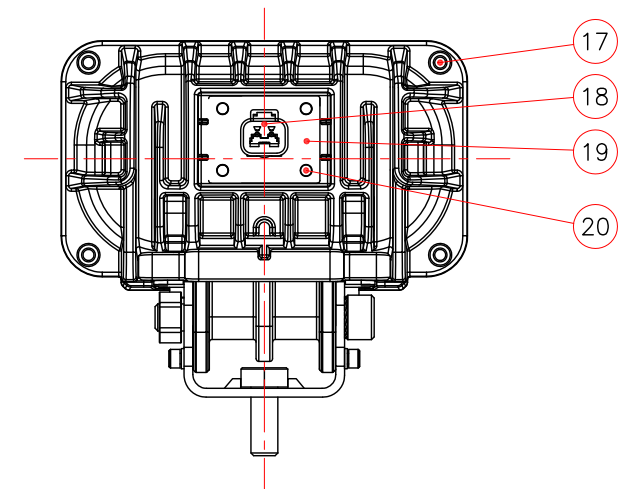
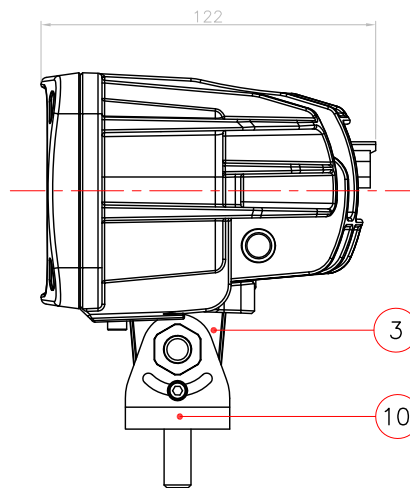
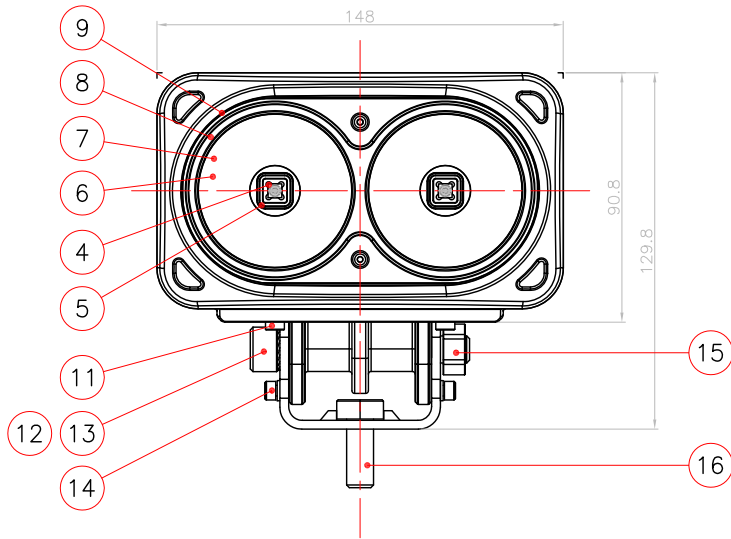


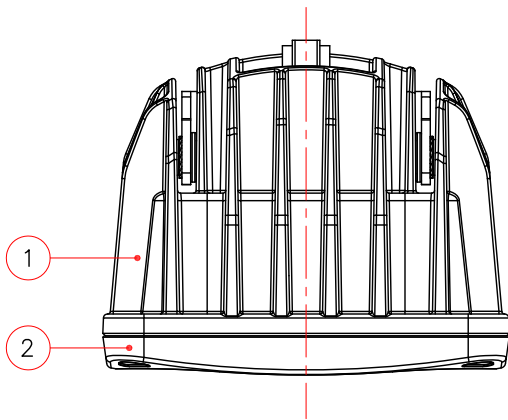


[SPECIFICATION]

1. OPERATING VOLTAGE : DC 12V ~ 32V
2. WATTAGE : 20W
3. LED : 10W (XML-CREE)
4. LUMINOUS FLUX : 1,260 (lm)
5. REFLECTOR : PC
6. WEIGHT : 1,400 (g)
7. VIBRATION : - (Grms)
8. WEATHER PROOF & DUST RESISTANCE
9. TEMPERATURE : -40 °C ~ 85°C
10. LIFE : 50,000 (Hr)
11. IP RATING : IP68

20	BOLT	M4X12 (ALLEN/SUS#304/NYLOK)	4	
19	2P-FLANGE	PC	1	
18	DEUTSCH-2P	RECEPTACLE:DT04-2P-E004/WEDGE:W2P	1	
17	BOLT	M4X10 (ALLEN/SUS#304/NYLOK)	4	
16	BOLT	M10X30 (HEX/SUS#304/NYLOK)	1	
15	NUT	M10 (SUS#304/NYLON)	1	
14	BOLT	M4X10 (ALLEN/SUS#304/NYLOK)	2	
13	WASHER	M10	1	
12	BOLT	M10X70 (ALLEN/SUS#304/NYLON)	1	
11	BOLT	TH-M4X8+M4X10 (ALLEN/SUS#304/NYLOK)	4	
10	LOW-BRKT	PO/3.2T	1	
9	SEAL-TUBE	SILICONE	1	
8	REFLECTOR-HOLDER	PC (VACUUM EVAPORATION COATING)	1	
7	PC-COVER	PC (3T/CLEAR)	1	
6	REFLECTOR	PC (VACUUM EVAPORATION COATING)	2	
5	REFLECTOR-GUIDE	PC (VACUUM EVAPORATION COATING)	2	
4	LED-PCB	XML (DUAL)	1	
3	FIXTURE-BRKT	ZnDC2 (LIQUID-COATING)	1	
2	TOP-COVER	ALDC12 (POWDER-COATING)	1	
1	BODY	ALDC12 (POWDER-COATING)	1	
NO	PARTS NAME	SPEC (FINISHING)	Q'TY	REMARK





[SPECIFICATION]

1. OPERATING VOLTAGE : DC 12V ~ 32V
2. WATTAGE : 20W
3. LED : 10W (XML-CREE)
4. LUMINOUS FLUX : 1,260 (lm)
5. REFLECTOR : PC
6. WEIGHT : 1,100 (g)
7. VIBRATION : - (Grms)
8. WEATHER PROOF & DUST RESISTANCE
9. TEMPERATURE : -40 °C ~ 85°C
10. LIFE : 50,000 (Hr)
11. IP RATING : IP68

18	BOLT	M4X12 (ALLEN/SUS#304/NYLOK)	4	
17	2P-FLANGE	PC	1	
16	DEUTSCH-2P	RECEPTACLE:DT04-2P-E004/WEDGE:W2P	1	
15	BOLT	M4X10 (ALLEN/SUS#304/NYLOK)	4	
14	BOLT	M10X30 (HEX/SUS#304/NYLOK)	1	
13	SIDE-BUSHING	EPDM	2	
12	WASHER	M8 (1T/SUS)	2	
11	WASHER	M8	2	
10	BOLT	M8X15 (ALLEN/SUS#304/NYLOK)	2	
9	TRUNNION-BRKT	PO/3.2t (BODY SAME-COLOR SPRAY)	1	
8	SEAL-TUBE	SILICONE	1	
7	REFLECTOR-HOLDER	PC (VACUUM EVAPORATION COATING)	1	
6	PC-COVER	PC (3T/CLEAR)	1	
5	REFLECTOR	PC (VACUUM EVAPORATION COATING)	2	
4	REFLECTOR-GUIDE	PC (VACUUM EVAPORATION COATING)	2	
3	LED-PCB	XML (DUAL)	1	
2	TOP-COVER	ALDC12 (POWDER-COATING)	1	
1	BODY	ALDC12 (POWDER-COATING)	1	
NO	PARTS NAME	SPEC (FINISHING)	Q'TY	REMARK

