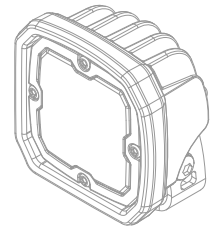
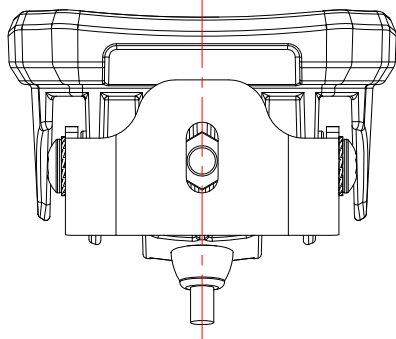
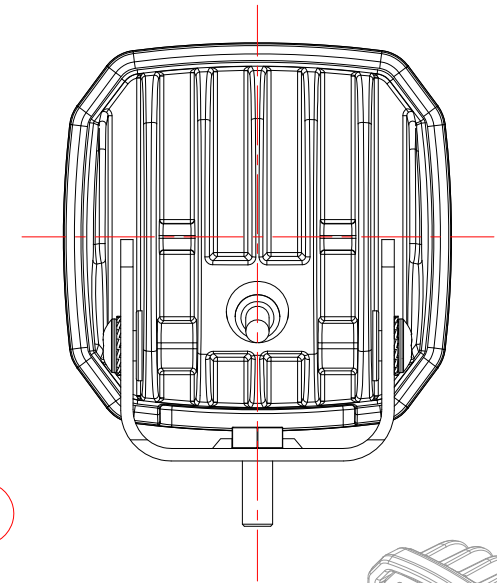
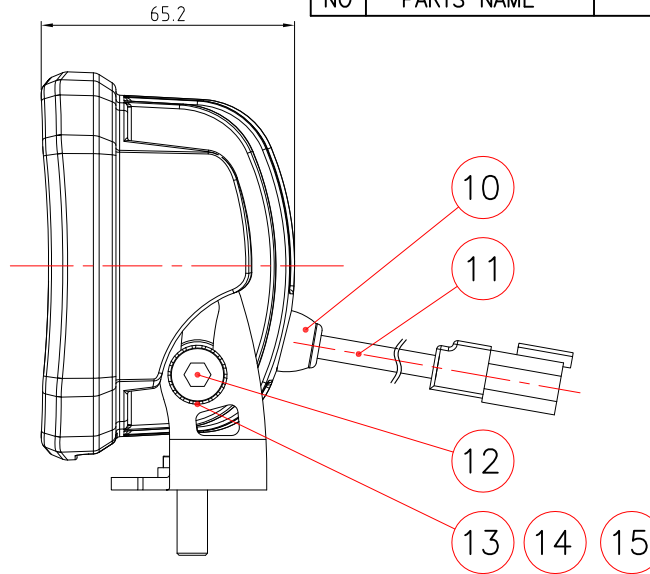
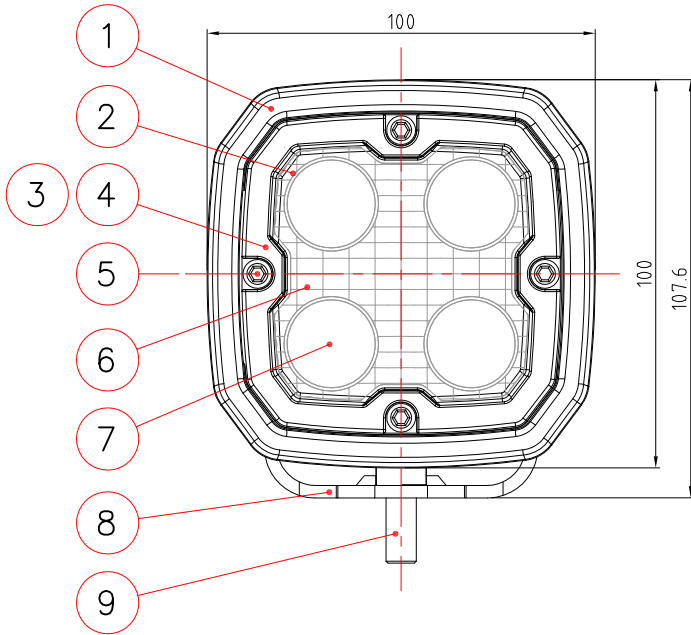


### [SPECIFICATION]

1. OPERATING VOLTAGE : DC 11V ~ 65V
2. WATTAGE : 5W
3. LED : 16W (XTE-CREE)
4. LUMINOUS FLUX : 968 (lm)
5. WEIGHT : 720 (g)
6. VIBRATION : - (Grms)
7. WEATHER PROOF & DUST RESISTANCE
8. TEMPERATURE : -40 °C ~ 85°C
9. LIFE : 50,000 (Hr)
10. IP RATING : IP68

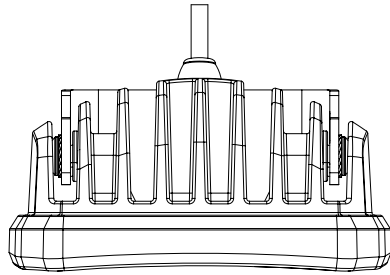
15	SIDE-BUSHING	EPDM	2	
14	WASHER	M8 (1T/SUS)	2	
13	WASHER	M8	2	
12	BOLT	PH-M8X15 (ALLEN/SUS#304/NYLOK)	2	
11	WIRE-ASSY	18AWG/DEUTSCH_2P(RECEPTACLE:DT04-2P-E004/WEDGE:W2P)	1	
10	BUSHING	EPDM (60)	1	
9	BOLT	SUS/M8X30	1	
8	TRUNNION-BRKT	PO/3.2T/(POWDER-COATING)	1	
7	LENS(+HOLDER)	40/60(deg)	4	
6	PC-COVER	PC (CLEAR)	1	
5	BOLT	PH-M4X12 (ALLEN/SUS#304/NYLOK)	4	
4	TOP-COVER	ALDC12 (POWDER-COATING)	1	
3	O-RING	SILICONE (40)	1	
2	COVER-SHEET	SILICONE / WHT (1.0T)	1	
1	BODY	ALDC12 (POWDER-COATING)	1	
NO	PARTS NAME	SPEC (FINISHING)	Q'TY	REMARK



**Vision**  
Global Lighting Systems  
Off-Road Lights

[SPECIFICATION]

1. OPERATING VOLTAGE : 11V ~ 65V.
2. WATTAGE : 30W
3. EFFECTIVE LUMENS : ~ 1m
4. LED : XPG2
5. BEAM ANGLE : 10, 25, 40, 60, 30x65(Elliptical)
6. OPERATING TEMPERATURE : -40°C ~ 85°C
7. LIFE TIME : DC Type : 50,000 (Hr)
8. IP RATING : IP69K



NO.	PART NO.	DESCRIPTION	Q'TY
01	BODY	ADC10	1SET
02	COVER SHEET	SILICONE / WHT (1.0T)	1EA
03	O-Ring	SILICONE(40°)	1EA
04	TOP COVER	ADC10	1EA
05	BOLT	M4x12 (SUS304)	6EA
06	PC COVER	PC (CLEAR)	1EA
07	LENS	-	6EA
08	TRUNNION BRACKET	PO 3.2T	1EA
09	BOLT	HEX BOLT M10x30, NUT, WASHER	1EA
10	BUSHING	EPDM (60°)	1EA
11	WIRE-ASSY	18AWG/DEUTSCH_2P RECEPTACLE: DT04-2P-E004 / WEDGE:W2P	1SET
12	BOLT	M8x15 (SUS304)	2EA
13	WASHER	M8	2EA
14	WASHER	M8 (1T/SUS)	2EA
15	SIDE BUSHING	EPDM	2EA

