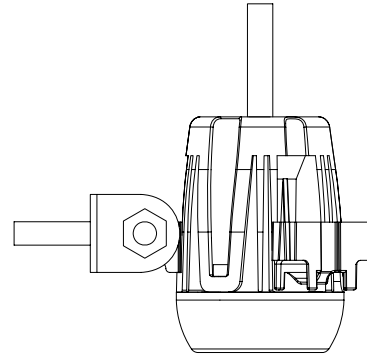
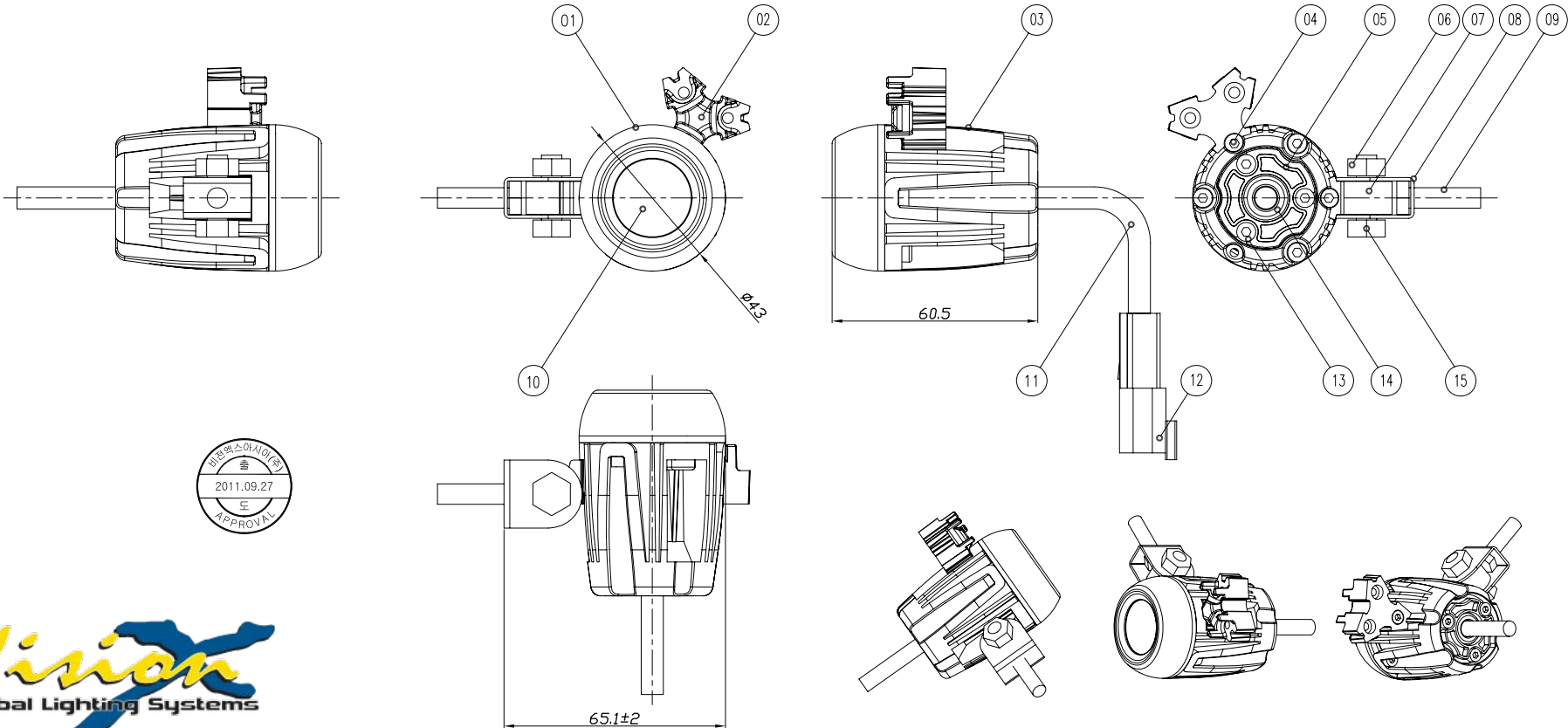


[SPECIFICATION]

1. OPERATING VOLTAGE : DC 12 / 24V (DC9 ~ 35V)
2. WATTAGE : 5W
3. LUMINOUS : 354 lm
4. LED : CREE\_XPG\_WHT-R4
5. BEAM ANGLE : 12(SPOT) ,24(FLOOD)
6. OPERATING TEMPERATURE : -40°C ~ 50°C
7. LIFE TIME : 50,000 (Hr)
8. IP RATING : IP68



NO.	PART NO.	DESCRIPTION	Q'TY
01	TOP COVER	ALUMINUM	1EA
02	BRACKET (Join)	ALUMINUM	1EA
03	BODY	ALUMINUM	1EA
04	BOLT	M3*12L / SUS	2EA
05	BOTTOM COVER	ALUMINUM	1EA
06	NUT	M6 / SUS	1EA
07	BRACKET (Fix)	ALUMINUM	1EA
08	BRACKET (Rotation)	EGI	1EA
09	HEX BOLT	M6*20L(variable) / SUS	1EA
10	WINDOW	PC (natural)	1EA
11	POWER WIRE	ø6.5 * 150L	1EA
12	CONNECTOR	RECEPTACLE: DT04-2P-E004 TERMINAL:1060-16-0122 / WEDGE:W2P	1EA
13	BOLT	M3*8L / SUS	6EA
14	BUSHING	-	1EA
15	HEX BOLT	M6*20L / SUS	1EA



Off-Road Lights