

10" ULTRA LED LIGHTBAR

INSTALLATION GUIDE



Carefully read and understand the following instructions before proceeding.

! WARNINGS

- Do not look directly at the beam during Lightbar operation as it is extremely bright when lit.
- Check with local, municipal and state motor vehicle requirements regarding the use of "Off-Road" lighting to determine if there are any specific requirements regarding their installation and use.
- Do not operate the Lightbar while driving on public roads.
- Mount the Lightbar only on devices specifically designed for that purpose, i.e. Lightbars, push bars, auxiliary light mounts, etc.
- Only operate under the specified voltages as mentioned in the specifications.
- Verify that the selected mounting location does not interfere with existing vehicle systems, i.e. airbag system sensors, forward and signal lighting, etc.
- Do not mount the Lightbar in a location that obstructs the view of the driver.
- Ensure adequate clearance exists between the Lightbar and its wiring, to any moving or rotating parts of the vehicle, i.e. tires/wheels, suspension, doors, etc.
- The Lightbar becomes very hot during operation and remains hot after use. Do not touch the Lightbar when hot or severe burns may result.
- Ensure the Lightbar is mounted at a safe distance from temperature-sensitive objects.
- Allow the Lightbar to cool prior to washing.
- The Lightbar is designed to be mounted with the lens surface positioned in the vertical orientation when the vehicle is resting on a level surface.
- When laying out wire routing, stay clear of radio antenna and wiring to minimize radio interference.
- Do not route wires along or near hot, sharp, or moving surfaces that might damage the wiring.
- Use appropriately sized switches, wires, and circuit fusing.
- Professional installation is recommended.

- 1 Determine the best mounting location for the Lightbar, ensuring it does not interfere or block any existing vehicle systems. The Lightbar is supplied with coated steel universal mounting brackets and stainless steel (SS) hardware. (See Fig. 1)



Fig. 1

- 2 Reference (Fig.2) below for mounting hole spacing requirements, based on your desired mounting bracket orientation. Loosely attach the universal mounting brackets at your desired location, using the (2) SS M8x30mm socket head cap bolts, lock washers, flat washers, and M8 nuts on a flat surface. (Fig. 3)

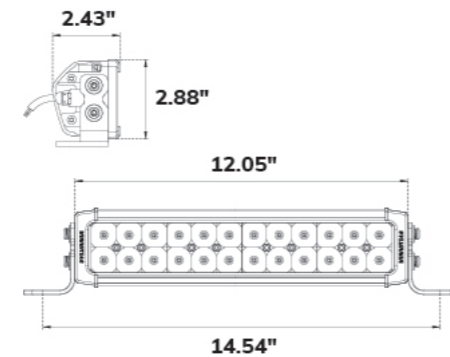


Fig. 2



Fig. 3

- 3 Verify the required spacing of the mounting brackets and torque the M8 locknuts to 188 in-lbs. (21.2 N-m).

- 4 Loosely attach the Lightbar to the mounting brackets using the (4) SS M6x14mm socket head cap bolts, SS flat washers, and SS lock washers. (Fig. 4) Aiming and tightening will be done once the wiring is complete. Rubber flat washers are provided, to use between the Lightbar surface and the universal mounting bracket hardware, to protect the Lightbar's finish if desired.



Fig. 4

- 5 To aim the Lightbar, park the vehicle on a level surface approximately 25' from a preferably light-colored wall. Measure the vertical distance from the ground to the bottom of the installed Lightbar. Place a piece of tape on the wall directly in front of the vehicle at the same vertical height as the bottom of the Lightbar, creating an aiming target.

- 6 Turn the Lightbar ON. Direct the bright spot of the light beam no higher than the aiming target on the wall. Be careful with the light housing as it gets hotter the longer the light is on. It is recommended to wear leather work gloves when handling a hot light. Tighten the M6x14mm socket head cap bolts to 41 in-lbs. (4.6 N-m) torque.

