

SS - 28 FAIRING

INSTALLATION INSTRUCTIONS

IMPORTANT

- A. BEFORE INSTALLING FAIRING, READ INSTALLATION INSTRUCTIONS THOROUGHLY.
- B. Any variations from these Installation Instructions could have an adverse effect on the performance of the Fairing or negate any present or future warranty.

NO. 1. HEADLIGHT GASKET INSTALLATION

Center the gasket around the headlight cutout. Make sure gasket is firmly pushed up in place.

NO. 2. HANDLEBAR CLAMP INSTALLATION

Install handlebar clamps and barrels as shown. Barrels may be positioned either on the front or rear side of the handlebars, depending on handlebar configuration and windscreen mounting.

NO. 3. LOWER MOUNT INSTALLATION

Install fork tube clamps immediately above the lower triple clamp. The clamps are designed to accommodate various fork tube diameters. Wrap the clamp and gasket around the fork tube using the most advantageous of the two holes in the side of the clamp.

NOTE: INCORRECT HOLE SELECTION WILL PREVENT THE FORK TUBE FROM TIGHTENING UP PROPERLY!!!

NO. 4. HANDLEBAR AND FORK TUBE ALIGNMENT

Hold windscreen in position and adjust handlebar clamps and fork tube brackets to meet the mounting holes in fairing.

NOTE: AVOID INDUCING STRESS IN THE FAIRING. CHECK FOR INTERFERENCE BETWEEN UPPER AND LOWER RODS AND MOTORCYCLE.

NO. 5. WINDSCREEN INSTALLATION

With Windscreen over the headlight and the windscreen's legs parallel to the fork tubes, tighten all hardware, checking alignment as you tighten. **Mfg. suggests using Loctite on all fasteners to prevent loosening from vibration.**

NO. 6. FINAL ADJUSTMENTS

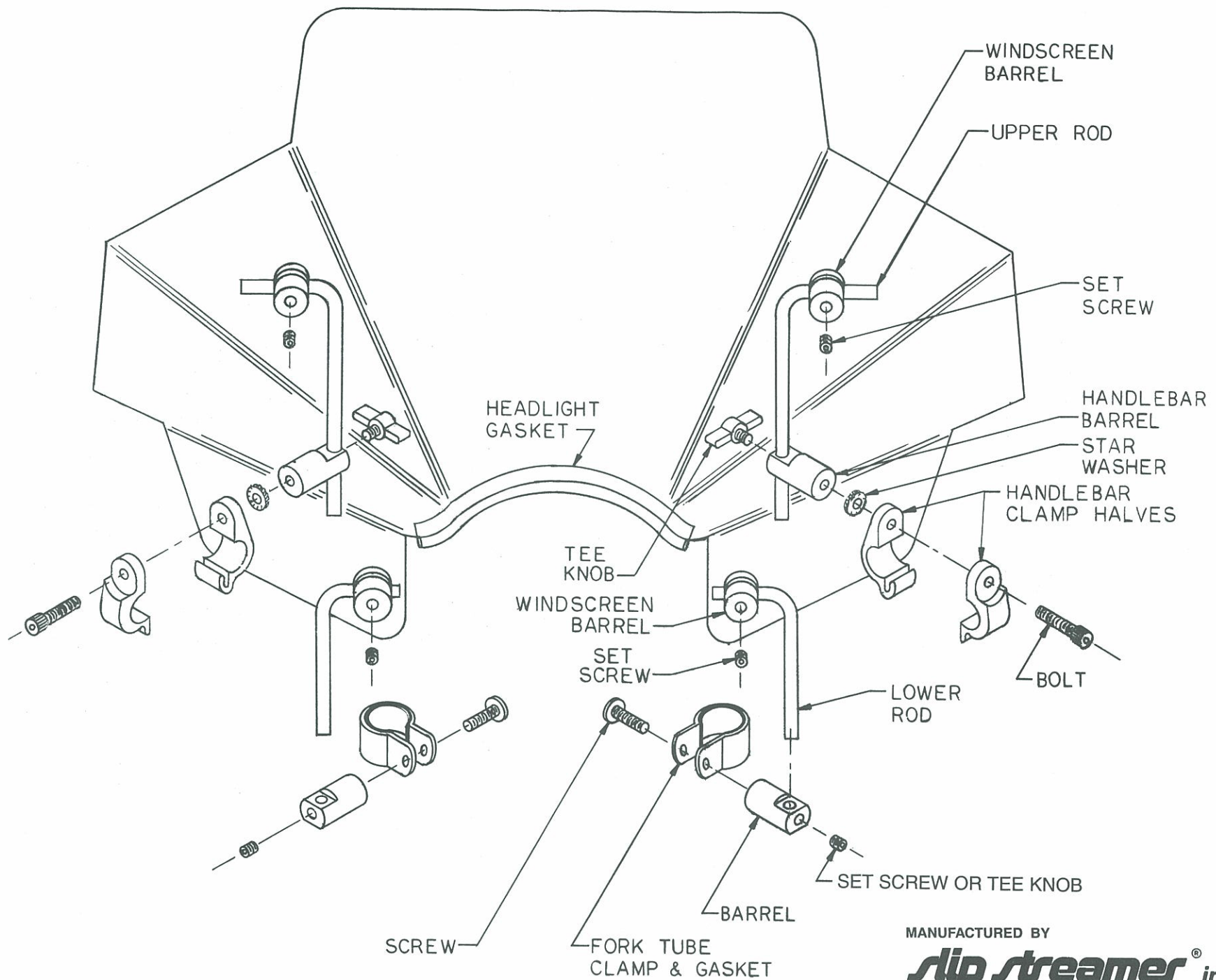
Re-check windscreen alignment, fastener tightness, and interference between rods and fuel tank.

NO. 7. CLEANING THE LUCITE WINDSHIELD

Use **Slipstreamer Cleaner/Polish** and to remove scratches use **Slipstreamer Scratch Remover** available at your Slipstreamer Dealer or wash with a mild soap or detergent and lukewarm water. Use a clean soft cloth or sponge. Rinse well and blot dry with a damp cloth or chamois.

NEVER USE ABRASIVE CLEANERS, HOUSEHOLD CLEANERS, WINDOW-CLEANING FLUIDS, SCOURING COMPONENTS, GRITTY CLOTHS, OR STRONG SOLVENTS SUCH AS ALCOHOL, ACETONE, CARBON TETRACHLORIDE, ETC.

To maintain the brilliant luster of Lucite, wax occasionally with a good grade of automobile paste wax. **(NOT A CLEANER-WAX COMBINATION)**. Apply a thin coat with a clean cotton flannel cloth. Then wipe with a clean damp cloth. NEVER USE HOUSEHOLD SPRAY WAXES.



MANUFACTURED BY
slip streamer[®] inc.

Looking for dependable motorcycle windshields and fairings? Rely on Slipstreamer for quality and long-lasting products.