

HD-0 HARLEY SHIELD

INSTALLATION INSTRUCTIONS

IMPORTANT: Before installing shield, please read instructions to get a proper fit.

NO. 1 UPPER MOUNT ASSEMBLY

Install bolt, star washer, barrel and t-knob as shown in **Figure A**.

**Note: Hand tighten only.

NO. 2 HANDLEBAR CLAMP INSTALLATION

Install handlebar clamps and barrels as shown in **Figure B**. Barrels may be positioned either on the front or rear side of handlebars depending on motorcycle.

NO. 3 FINAL ADJUSTMENTS

Once windscreen is attached, adjust to your liking. Manufacturer suggests you angle your shield approximately to angle of forks.

**Note: After initial installation and approximately 100 miles, check mounting hardware for tightness. Manufacturer suggests using Loctite on all non-adjustable fasteners to prevent loosening through vibration.

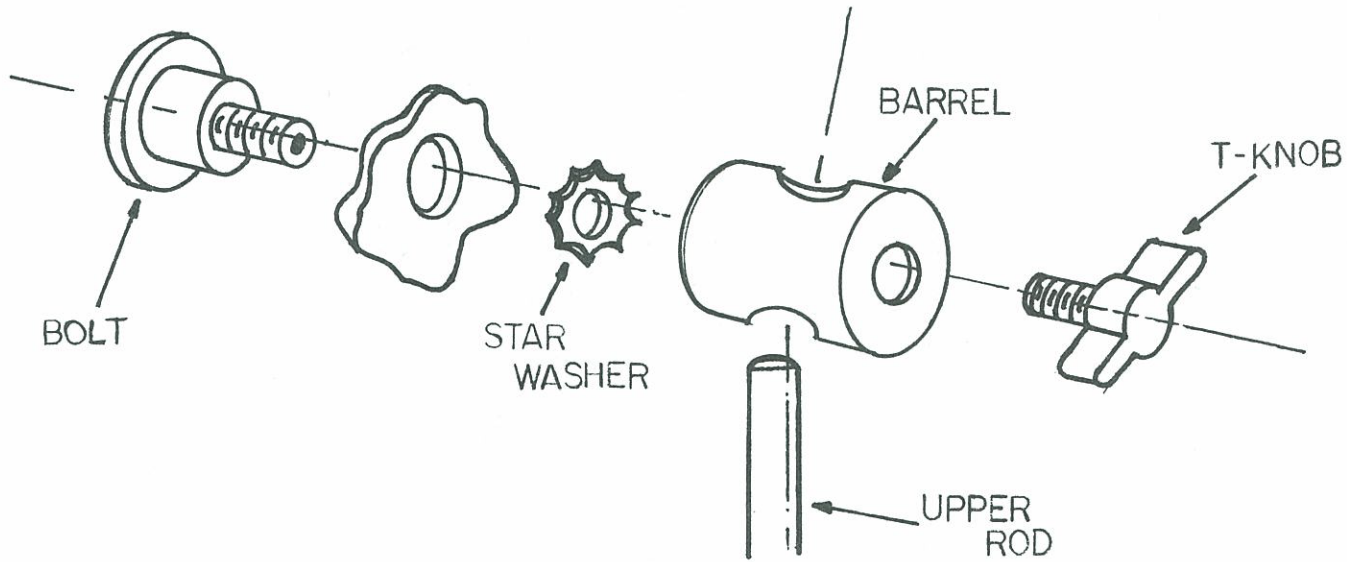
NO. 4 CLEANING THE HD-0 WINDSCREEN

Use **Slipstreamer Cleaner/Polish**, and to remove scratches use **Slipstreamer Scratch Remover** available at your Slipstreamer Dealer or wash with a **mild** soap or detergent and lukewarm water. Use a soft cloth or sponge. Rinse well and blot dry with a damp cloth or chamois.

NEVER USE ABRASIVE CLEANERS, HOUSEHOLD CLEANERS, WINDOW CLEANING FLUIDS, SCOURING COMPOUND, GRITTY CLOTHS, OR STRONG SOLVENTS SUCH AS ALCOHOL, ACETONE, CARBON TETRACHLORIDE, ETC.

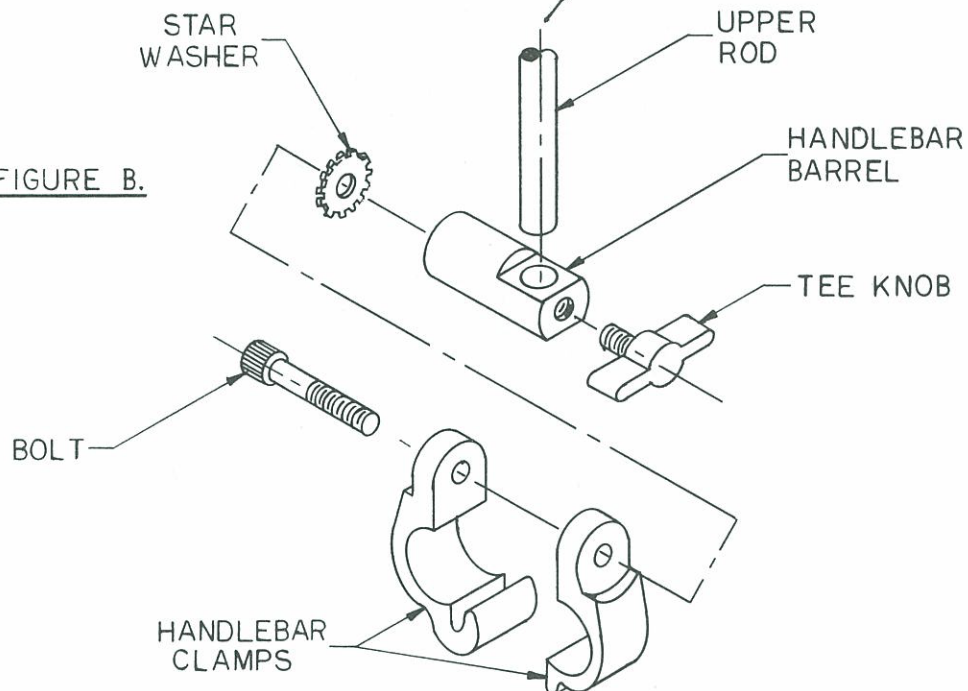
To maintain the brilliant luster, wax occasionally with a good grade of automobile wax. **(Not a cleaner-wax combination.)** Apply a thin coat with a clean cotton cloth. Then wipe with a clean damp cloth. **NEVER USE HOUSEHOLD SPRAY WAXES.**

FIGURE A



MODEL HD-0 UNIVERSAL HARLEY SHIELD

FIGURE B.



MANUFACTURED BY

slip streamer® inc.

Looking for dependable motorcycle windshields and fairings? Rely on Slipstreamer for quality and long-lasting products.