

TOOLS NEEDED:	MASKING TAPE	PENCIL/MARKER	DRILL	5/16" (8MM) DRILL BIT	10MM WRENCH
	TAPE MEASURE	THREAD LOCKING COMPOUND			

PLEASE READ THROUGH AND UNDERSTAND THESE INSTRUCTIONS BEFORE BEGINNING.

NOTE: IF REPLACING AN EXISTING TUBULAR RACK YOU MAY NEED TO MAKE THE HOLES IN THE LID 5/16" DIAMETER BEFORE MOUNTING THIS RACK.

INSTALLATION:

- CLEAN ALL DIRT AND DEBRIS FROM THE LID OF THE TOUR PACK.
- USING A TAPE MEASURE FIND THE CENTER OF THE TRUNK LID FROM RIGHT TO LEFT AND MARK IT WITH A SMALL PIECE OF MASKING TAPE. SEE FIG. 1.
- CUT FOUR PIECES OF MASKING TAPE ABOUT 1-1/2 TO 2 INCHES SQUARE.
- TAKE THE RACK FROM THE PACKAGE AND PLACE IT ON THE TRUNK LID. SEE FIG. 2.
- USE THE TAPE MEASURE AND CENTER THE RACK RIGHT TO LEFT ON THE TRUNK LID.
- ONCE YOU HAVE IT POSITIONED AS YOU WANT IT LIFT UP ONE SIDE AT A TIME AND PLACE THE MASKING TAPE UNDER EACH LEG OF THE RACK. SEE FIG. 2.
- USING A PENCIL OR MARKER DRAW A CIRCLE AROUND EACH LEG OF THE RACK BEING CAREFUL NOT TO MOVE IT. SEE FIG. 3
- REMOVE THE RACK AND WITH YOUR PENCIL/MARKER DRAW AN "X" INSIDE THE CIRCLE TO FIND THE CENTER. SEE FIG. 4
- USING A DRILL AND A 5/16" (8MM) DRILL BIT MAKE A HOLE THROUGH THE LID AT THE INTERSECTION IN EACH CIRCLE.
- REMOVE THE MASKING TAPE FROM THE TRUNK LID AND CLEAN THE LID AGAIN. ALSO REMOVE ANY SHARP EDGES OR LOOSE SHAVINGS ON THE HOLES.
- LOOSELY INSTALL THE RACK ON THE TRUNK LID WITH THE HARDWARE IN THE ORDER SHOWN IN FIG. 5.
- ROTATE THE ANGLED SPACERS SO THAT THE BEST MATCH THE ANGLE OF THE TRUNK LID AND THE LEGS ON THE RACK.
- CHECK TO MAKE SURE THE RACK WILL SIT PROPERLY ON THE LID WITH THE BOLT LOOSELY INSTALLED.
- APPLY A SMALL AMOUNT OF THREAD LOCKING COMPOUND TO EACH BOLT AND CAREFULLY TIGHTEN.
- BE VERY CAREFUL NOT TO OVER TIGHTEN THE BOLTS.

NOTICE

DO NOT EXCEED THE LOAD CAPACITY THAT IS SPECIFIED BY THE VEHICLE MANUFACTURER. EXCESSIVE LOADING ON THE TRUNK LUGGAGE RACK MAY CAUSE LOSS, DAMAGE TO THE MOTORCYCLE OR INJURY. BIG BIKE PARTS IS NOT RESPONSIBLE FOR LOSS, DAMAGE OR INJURY CAUSED DUE TO EXCESSIVE LOADS OVER THE VEHICLE MANUFACTURER'S LOAD SPECIFICATIONS ON THE LUGGAGE RACK.



CENTER MASKING TAPE

FIG. 1



FIG. 2



FIG. 3



FIG. 4

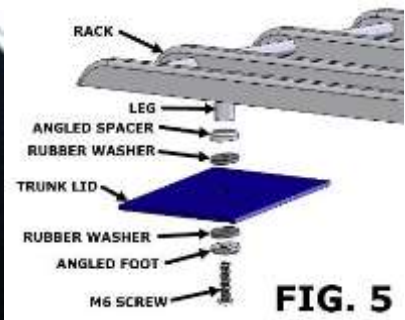


FIG. 5

PART NO. 41-355/91-307

TOUR LUGGAGE RACK

FITMENT: YAMAHA STAR VENTURE 2018-NEWER

TOOLS NEEDED:	DRILL	5/16" (10MM) DRILL BIT	MASKING TAPE	TAPE MEASURE
	10MM SOCKET WRENCH	4MM ALLEN WRENCH	PHILLIPS SCREWDRIVER	REMOVABLE THREAD LOCK

PLEASE READ THROUGH AND UNDERSTAND THESE INSTRUCTIONS BEFORE BEGINNING. USE REMOVABLE THREAD LOCK ON ALL FASTENERS.
ESTIMATED INSTALLATION TIME: 60 TO 90 MIN.

NOTICE

DO NOT EXCEED THE LOAD CAPACITY THAT IS SPECIFIED BY THE VEHICLE MANUFACTURER. EXCESSIVE LOADING ON THE TRUNK LUGGAGE RACK MAY CAUSE LOSS, DAMAGE TO THE MOTORCYCLE OR INJURY. BIG BIKE PARTS IS NOT RESPONSIBLE FOR LOSS, DAMAGE OR INJURY CAUSED DUE TO EXCESSIVE LOADS OVER THE VEHICLE MANUFACTURER'S LOAD SPECIFICATIONS ON THE LUGGAGE RACK.

INSTALLATION:

- CLEAN THE TRUNK LID.
- USING A TAPE MEASURE FIND THE CENTER OF THE TRUNK LID. USE TWO SMALL PIECES OF MASKING TAPE TO MARK THE CENTER LINE. SEE FIG.1.
- HOLD THE RACK ABOVE THE TRUNK LID IN THE POSITION YOU WISH TO MOUNT IT. USE THE CENTER LINE MARK AS REFERENCE POINT.
- PLACE FOUR PIECES OF MASKING TAPE ON THE TRUNK LID WHERE THE LEGS WILL TO BE. SEE FIG.1.
- SET THE RACK ON THE LID WITH THE LEGS RESTING ON THE MASKING TAPE. CAREFULLY CHECK THE ALIGNMENT OF THE RACK. SEE FIG. 2.
- USING A MARKER CIRCLE AROUND THE BOTTOM OF EACH LEG ON THE MASKING TAPE. SEE FIG. 3.
- REMOVE THE RACK AND MARK THE CENTER OF EACH CIRCLE AS SHOWN IN FIG. 4. MEASURE THE MARKS TO MAKE SURE THEY ARE CENTERED.
- REMOVE THE TRUNK LID FROM THE TRUNK. FIRST USING A 10MM SOCKET WRENCH REMOVE THE FOUR NUTS ON THE INSIDE-BOTTOM OF BOTH TRUNK HINGES MARKED 5A IN FIG. 5.
- USING A 4MM ALLEN WRENCH REMOVE THE TWO SCREWS MARKED 5B WHILE HOLDING THE TRUNK LID. LIFT THE LID STRAIGHT UP TO REMOVE.
- PLACE THE TRUNK LID TOP DOWN ON A CLEAN TOWEL.
- USING A PHILLIPS SCREWDRIVER REMOVE THE 26 SCREWS SHOWN IN FIG. 6. LIFT THE TRUNK LID LINER TO REMOVE IT.
- TURN THE OUTER LID OF TRUNK OVER AND USING A DRILL AND A 5/16" BIT DRILL FOUR HOLES IN THE LOCATION YOU MARKED IN STEP 7.
- REMOVE THE MASKING TAPE AND ANY BURRS AND INSTALL THE RACK TO THE LID USING THE SUPPLIED HARDWARE AS SHOWN IN FIG. 7.
- ROTATE THE ANGLED SPACERS TO BEST FIT THE TRUNK LID AS YOU TIGHTEN EACH OF THEM.
- REASSEMBLE THE LINER TO THE TRUNK LID AND THEN INSTALL THE ASSEMBLY TO THE TRUNK.



FIG. 1



FIG. 2



FIG. 3

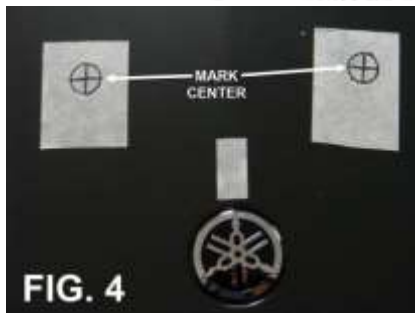


FIG. 4



FIG. 5



FIG. 6

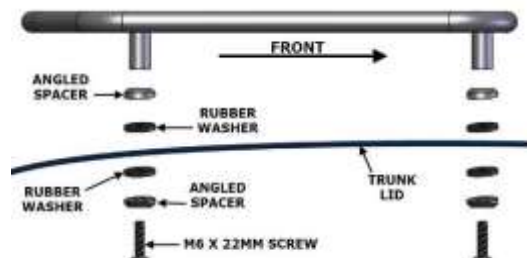


FIG. 7