

PART NO. 63-227L

ELLIPTICAL LED DRIVING LIGHT BAR KIT

FITMENT:

YAMAHA V STAR 950

| | | | | | |
|---------------|----------------------|-------------------|------------------|------------------|----------------------|
| TOOLS NEEDED: | PHILLIPS SCREWDRIVER | 2MM ALLEN WRENCH | 4MM ALLEN WRENCH | 5MM ALLEN WRENCH | 13MM SOCKET WRENCH |
| | 10MM WRENCH | 8MM SOCKET WRENCH | DRILL | 13/16" DRILL BIT | THREAD LOCK COMPOUND |

**PLEASE READ THROUGH AND UNDERSTAND THESE INSTRUCTIONS BEFORE BEGINNING. USE REMOVABLE THREAD LOCK ON ALL SCREWS.
ESTIMATED INSTALLATION TIME: 60 TO 90 MIN.**

INSTALLATION:

1. REMOVE THE SEAT AND DISCONNECT THE NEGATIVE BATTERY CABLE.
2. REMOVE THE TWO BUTTON SOCKET HEAD CAP SCREWS FROM THE BOTTOM OF THE OEM LIGHT BAR COVER USING A 4MM ALLEN WRENCH. THEN REMOVE THE COVER BY PULLING IT AWAY FROM THE HEADLIGHT. ALSO REMOVE THE GROMMET FROM THE HEADLIGHT BRACKET.
3. USING A PHILLIPS SCREWDRIVER, REMOVE THE TWO PHILLIPS PAN HEAD SCREWS HOLDING THE FRONT COVER TO THE HEADLIGHT HOUSING, AND THEN DISCONNECT THE HEADLIGHT AND SET IT ASIDE.
4. DISCONNECT THE TURN SIGNALS FROM INSIDE THE HEADLIGHT HOUSING, NOTING AS TO WHICH ONE IS THE LEFT AND RIGHT TURN SIGNAL.
5. REMOVE THE TURN SIGNALS FROM THE MOUNTING BRACKETS USING A 14MM SOCKET WRENCH TO REMOVE THE NUT, AND THEN PULL THE TURN SIGNAL AND WIRES OUT OF THE MOUNTING BRACKET.
6. REMOVE THE TURN SIGNAL MOUNTING BRACKETS FROM THE TRIPLE TREE BY USING A 5MM ALLEN WRENCH TO REMOVE THE BUTTON SOCKET HEAD CAP SCREW FROM EACH BRACKET.
7. INSIDE THE HEADLIGHT HOUSING, YOU WILL FIND (3) M6-1.0 HEX HEAD SCREWS THAT ARE HOLDING THE HOUSING TO THE OEM LIGHT BAR BRACKET AND TO THE TRIPLE TREE. REMOVE THESE THREE SCREWS WITH THE 8MM SOCKET WRENCH WITH EXTENSION AND REMOVE THE HEADLIGHT HOUSING FROM THE BIKE. ALL OF THE WIRES SHOULD BE PULLED OUT THE BACK OF THE HOUSING.
8. USING A 5MM ALLEN WRENCH, REMOVE THE TWO BUTTON SOCKET HEAD CAP SCREWS (A) HOLDING THE OEM LIGHT BAR BRACKET TO THE FRONT OF THE TRIPLE TREE AND REMOVE THE OEM LIGHT BAR BRACKET.
9. WITH THE TWO SOCKET HEAD CAP SCREWS REMOVED IN STEP #8, INSTALL THE NEW LIGHT BAR BRACKET (B) AND THE NEW HEADLIGHT BRACKET (L) TO THE FRONT OF THE TRIPLE TREE AS SHOWN. THE LIGHT BAR BRACKET (B) SHOULD BE BETWEEN THE TRIPLE TREE AND THE HEADLIGHT BRACKET. REINSTALL THE HEADLIGHT HOUSING AT THIS TIME MAKING SURE TO PULL THE WIRES INTO THE HOUSING WHEN DOING THIS STEP.
10. INSTALL THE LED DRIVING LIGHTS (C) ONTO THE LIGHT BAR (D) USING THE LOCK NUTS (E) PROVIDED WITH THE LED DRIVING LIGHTS. POSITION THE LIGHTS. TIGHTEN WITH A 13MM SOCKET.
11. WITH A PHILLIPS SCREWDRIVER REMOVE THE SCREW (F) FROM THE OEM TURN SIGNALS (G) LOCATED IN THE HOLE WHERE THE WIRES ARE ROUTED OUT OF THE OEM TURN SIGNAL ADAPTER. THEN REMOVE THE TURN SIGNAL (G) FROM THE OEM ADAPTER. DISCONNECT THE NEGATIVE BATTERY CABLE.

NOTE: STEPS 12, 13, 14, AND 16 ARE FOR INSTALLING OEM TURN SIGNALS WITH 63-312T. (SOLD SEPARATELY)

12. INSTALL EACH OEM TURN SIGNAL (G) ONTO THE TURN SIGNAL ADAPTER (H) ROUTING THE WIRES THROUGH THE HOLE IN THE ADAPTERS. USING THE SCREW (F) REMOVED IN STEP 9; SECURE THE TURN SIGNAL (G) TO THE ADAPTER (H).
13. ROUTE THE OEM TURN SIGNAL WIRES AND LED DRIVING LIGHT WIRE UNDER THE LIGHT BAR (D).
14. THE TURN SIGNAL ADAPTERS (H) WITH OEM TURN SIGNALS (G) NEED TO BE POSITIONED INTO THE LOWER ENDS OF THE NEW LIGHT BAR (D) AND SECURED WITH THE SET SCREWS (J). THERE ARE THREE SET SCREWS ON EACH SIDE.
15. USING THE M6-1.0 X 16MM LONG BUTTON SOCKET HEAD CAP SCREWS AND LOCK WASHERS (K), INSTALL THE LIGHT BAR (D) ONTO THE LIGHT BAR BRACKET (B). TIGHTEN SECURELY WITH A 4MM ALLEN WRENCH.
16. RE-ROUTE THE OEM TURN SIGNAL WIRES INTO THE HEADLIGHT HOUSING AND RE-CONNECT AS THEY WERE.
17. LOCATE THE BIKE'S BATTERY, FUSE BLOCK, AND/OR ACCESSORY TERMINALS AND WIRE ACCORDING TO THE DIAGRAM ON BACK.

WIRING THE DRIVING LIGHTS (SEE DIAGRAM 2)

NOTE: IF A 13-207/52-605L SWITCH BLOCK IS PURCHASED, STEPS C & E CAN BE SKIPPED AND PLUG ONE OF THE SWITCHES INTO THE RELAY.

- A. CONNECT THE BLACK WIRES TO THE CONNECTORS ON EACH LIGHT. THE OTHER ENDS OF THE BLACK WIRES CONNECT TO THE RELAY AS SHOWN IN THE DIAGRAM. THE RELAY CAN BE LOCATED UNDER THE SIDE COVER OR SEAT. THE WIRES CAN BE ROUTED THROUGH THE LIGHT BAR AND UNDER THE FUEL TANK OR ALONG THE INSIDE OF THE FRAME TO KEEP THEM OUT OF SIGHT.
- B. THE WIRE HARNESS WITH THE RED AND GREEN WIRES CONNECTS THE BATTERY TO THE RELAY. THIS HARNESS ALSO HAS AN INLINE FUSE ON THE RED WIRE. THE ENDS WITH THE RING TERMINALS SHOULD BE PLACED UNDER THE SCREWS THAT HOLD THE BATTERY CABLES TO THE BATTERY TERMINALS. CONNECT THE OTHER ENDS OF THE HARNESS TO THE RELAY AS SHOWN IN THE DIAGRAM.

NOTE: IF A BIG BIKE PARTS ACCESSORY SWITCH BLOCK (13-207 OR 52-605) HAS BEEN PURCHASED YOU CAN USE THIS TO CONTROL THE LIGHTS IN PLACE OF THE SWITCH THAT HAS BEEN SUPPLIED WITH THE DRIVING LIGHT KIT. FOLLOW THE WIRING INSTRUCTIONS IN THE SWITCH BLOCK KIT FOR DIRECTIONS ON CONNECTING THE SWITCH BOX TO THE RELAY AND OMIT STEPS C, D AND E BELOW.

- C. FIND A CONVENIENT PLACE TO INSTALL THE SWITCH. DRILL A SMALL PILOT HOLE FIRST AND THEN DRILL IT OUT LARGER WITH A 13/16" DRILL BIT. THE SIDE COVER MAY BE A GOOD LOCATION FOR THE SWITCH.

- D. THE WIRE HARNESS WITH THREE WIRES (ORANGE, BLUE, AND GREEN) CONNECTS TO THE SWITCH. THE END OF THE HARNESS WITH THE THREE PUSH ON CONNECTORS GOES TO THE TERMINALS OF THE SWITCH AS SHOWN IN THE DIAGRAM.
 - E. FROM THE SWITCH, THE GREEN WIRE CAN BE CONNECTED TO THE NEGATIVE TERMINAL OF THE BATTERY. THE BLUE WIRE CONNECTS TO THE RELAY AS SHOWN IN THE DIAGRAM. THE ORANGE WIRE WILL NEED TO CONNECT TO A KEYED POWER SOURCE. A KEYED POWER SOURCE IS A WIRE THAT HAS POWER ONLY WHEN THE KEY IS IN THE "ACCESSORY" OR "ON" POSITION. WHEN A KEYED POWER SOURCE WIRE IS FOUND, CLAMP THE T-TAP CONNECTOR TO THE WIRE AND THEN CONNECT THE ORANGE WIRE TO THE T-TAP.
 - F. ROUTE THE BARE ENDED WIRES ON EACH LIGHT THROUGH THE LIGHT BAR AND OUT THE MIDDLE HOLE. ATTACH RING TERMINALS TO THE BARE ENDS OF THE WIRES AND THEN PLACE THEM UNDER THE M6-1.0 X 16MM MOUNTING SCREWS UNDER THE LIGHT BAR. TIGHTEN THE SCREWS SECURELY TO INSURE THAT THE LIGHTS HAVE A GOOD GROUND.
18. TEST LIGHTS FOR PROPER OPERATION BEFORE REINSTALLING ANY REMOVED SIDE COVERS, SEAT, ETC. SECURE RELAY TO KEEP FROM BOUNCING.
 19. USE THE ADHESIVE WIRE HOLDERS TO HOLD THE WIRES UNDERNEATH THE LIGHT BAR (D) AND OUT OF SIGHT.

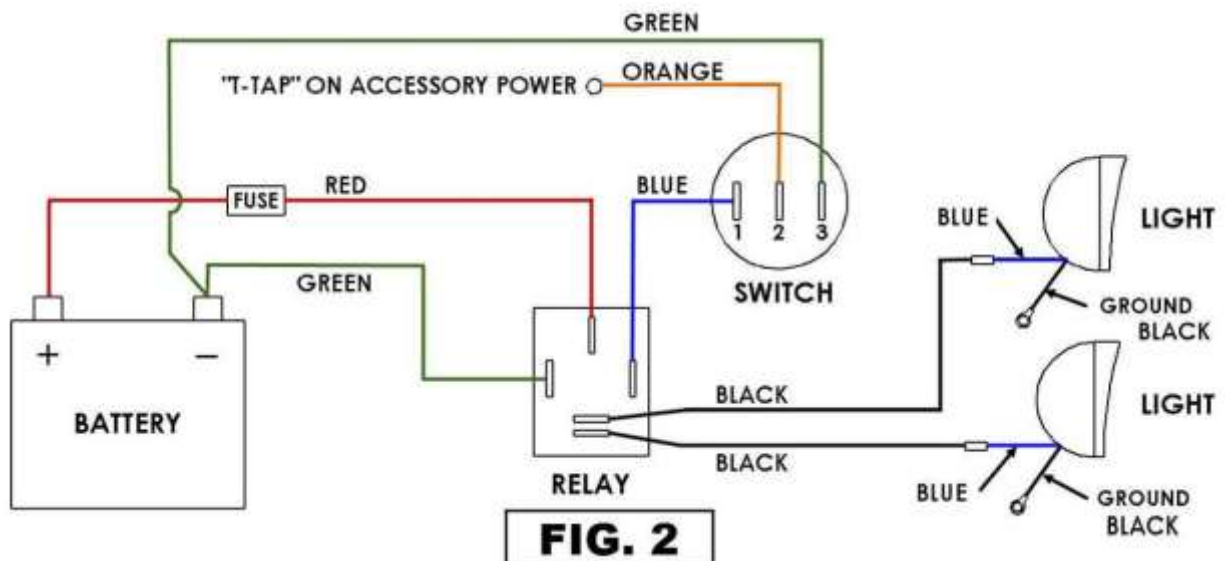
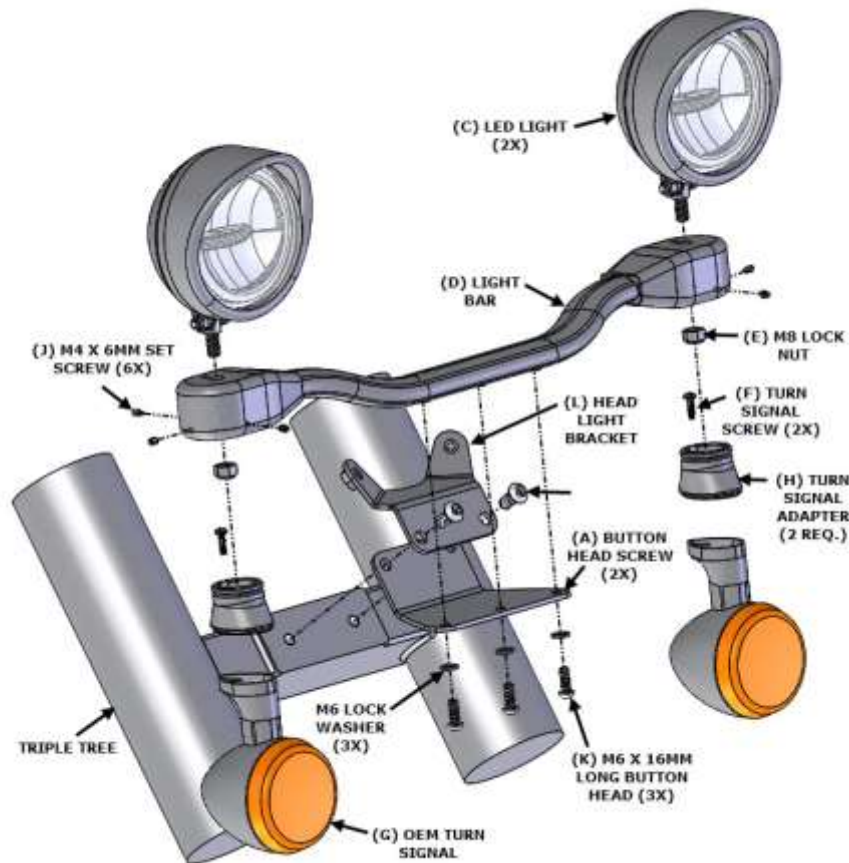


FIG. 2