

PART NO. 52-857/52-857L

MINI DRIVING LIGHT KIT

FITMENT:

HONDA GOLDWING GL1800 2001-NEWER

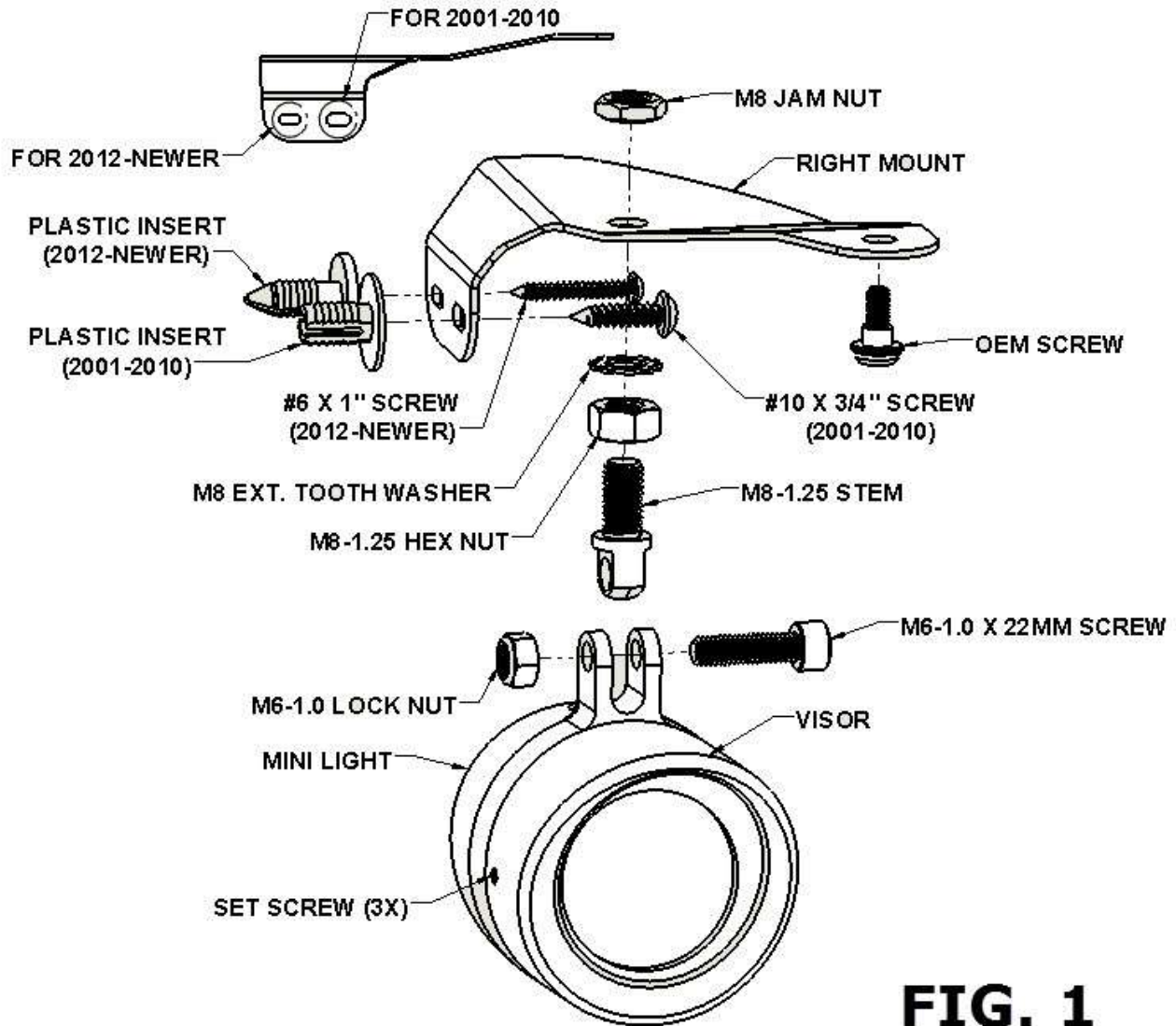
TOOLS NEEDED:	PHILLIPS SCREWDRIVER	5MM ALLEN WRENCH	10MM WRENCH	13MM WRENCH
	WIRE CRIMPER	2MM ALLEN WRENCH	REMOVABLE THREAD LOCK	

**PLEASE READ THROUGH AND UNDERSTAND THESE INSTRUCTIONS BEFORE BEGINNING.****ESTIMATED INSTALLATION TIME: 60 TO 90 MIN.****INSTALLATION FOR INSTALLING MOUNTS AND LIGHTS:**

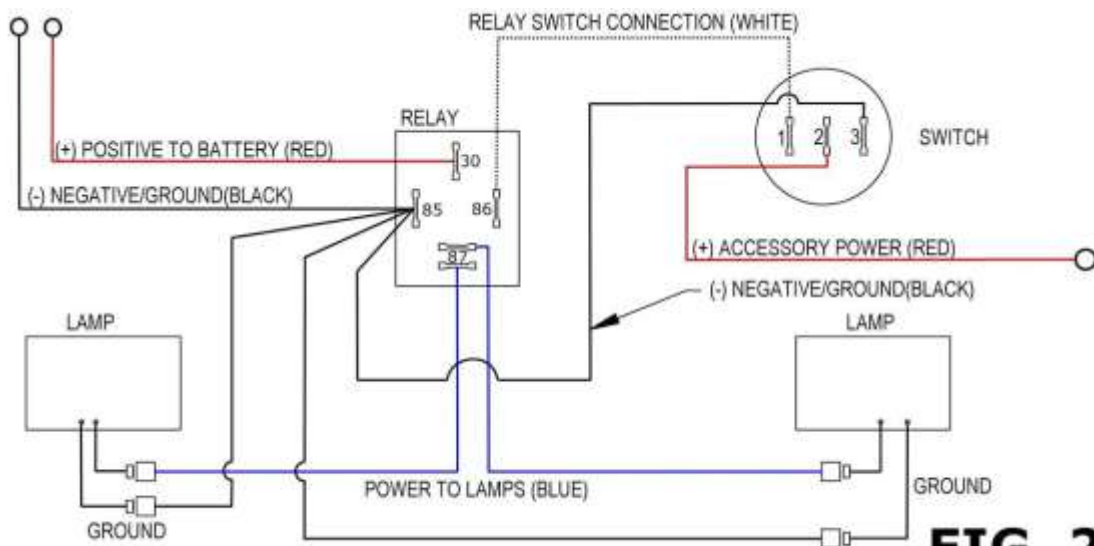
1. REMOVE THE TWO SCREWS AT THE BOTTOM CORNERS OF THE FRONT FAIRING NOSE TRIM WITH A PHILLIPS SCREWDRIVER.
2. REMOVE THE TWO PLASTIC POP RIVETS, ONE ON EACH SIDE, ON THE INSIDE OF THE FRONT COWL. THEY SHOULD BE THE TWO NEAR THE TOP CORNERS.
3. PLACE THE PLASTIC INSERTS INTO THE HOLES WHERE YOU REMOVED THE PLASTIC POP RIVETS. SELECT THE PROPER INSERT FOR YOUR YEAR OF BIKE BY USING THE FIG. 1 DIAGRAM BELOW. PLACE THE MOUNTING BRACKET UP TO THE PLASTIC INSERT AND INSERT THE SHEET METAL SCREW THROUGH THE BRACKET INTO THE PLASTIC INSERT. YOU WILL NEED TO PUT PRESSURE ON THE PLASTIC INSERT TO PREVENT IT FROM SPINNING.
4. USING A 2MM ALLEN WRENCH REMOVE AND ADD THREAD LOCK TO EACH OF THE THREE SET SCREWS HOLDING THE VISOR ON THE MINI LIGHT. ROTATE THE VISOR 180 DEGREES AND TIGHTEN THE SET SCREWS. REPEAT THIS STEP ON SECOND MINI LIGHT.
5. INSTALL THE M8-1.25 HEX NUT ON THE STEM OF EACH MINI LIGHT AS SHOWN IN FIG. 1. TIGHTEN.
6. ATTACH THE MINI LIGHT TO THE MOUNTING BRACKETS USING THE M8 EXT TOOTH WASHERS AND M8 JAM NUTS. DO NOT COMPLETELY TIGHTEN AT THIS TIME. INSTALL THE OEM SCREW REMOVED IN STEP #1 BUT LEAVE IT LOOSE FOR NOW.
7. AIM THE LIGHTS AS TO WHERE YOU PREFER THEM TO SHINE. ONCE POSITIONED WHERE YOU WANT THE LIGHTS, REMOVE THE OEM SCREW, TIGHTEN DOWN THE M8 JAM NUT, AND TIGHTEN DOWN THE M6 SOCKET HEAD CAP SCREW AND M6 LOCK NUT. REINSTALL THE OEM SCREW AND TIGHTEN DOWN.
8. ATTACH THE BULLET CONNECTORS PROVIDED TO EACH WIRE ON BOTH LIGHTS.
9. **NOTE: MAKE SURE THAT THE LIGHT HOUSING IS NOT TOUCHING ANY PART OF THE PLASTIC AROUND IT.**

**INSTRUCTIONS FOR INSTALLING THE WIRING HARNESS:**

10. REMOVE THE LEFT SIDE BATTERY COVER.
11. REMOVE THE LEFT SIDE FARING MOLDING BY GENTLY POPPING THE TABS OUT BY PULLING UPWARD.
12. REMOVE THE ALLEN SCREWS UNDER THE TRIM.
13. REMOVE THE LEFT POCKET BY PRESSING THE CENTER TABS ON THE FOUR LOCKING PINS IN EACH CORNER.
14. WITH THESE PARTS REMOVED AND LOOSENED, ROUTE THE POSITIVE AND NEGATIVE LEADS FROM THE WIRE HARNESS TO THE BATTERY. THE STARTING POINT WILL BE IN THE LEFT POCKET CAVITY. THIS IS WHERE THE RELAY WILL BE INSTALLED LATER.
15. FEED THE WIRES INTO THE LEFT POCKET CAVITY AND THEN UNDERNEATH THE LEFT SIDE OF THE TOP SHELTER.
16. FROM THERE, ROUTE THE WIRES UNTIL THEY REACH THE BATTERY. MAKE SURE THERE IS ENOUGH SLACK TO TUCK THE WIRE BEHIND THE FRAME SO THEY ARE OUT OF SIGHT.
17. ROUTE THE TWO LEADS WITH THE BLACK AND BLUE WIRES AND BULLET CONNECTORS FOR THE LIGHTS INTO THE POCKET CAVITY DOWNWARDS AND FEED IT THROUGH AN OPENING SO THAT THE WIRE COMES OUT THE FRONT OF THE BIKE NEAR THE NEW LIGHTS.
18. PLUG THE WIRES INTO EACH OF THE LIGHTS AND SECURE THE WIRES WITH ZIP TIES SO THEY DO NOT INTERFERE WITH THE MOVING OF THE FORKS.
19. TO INSTALL THE RELAY CONNECT THE FIVE FEMALE SPADE TERMINALS AS FOLLOWS: THE RED BATTERY LEAD GOES TO THE TAB MARKED 30, THE TWO BLUE LEADS COME FROM THE LIGHTS CONNECTED TO THE TWO TABS MARKED 87, THE BLACK LEADS COMING FROM THE BATTERY AND THE LIGHTS CONNECT TO THE TAB MARKED 85.
20. IF YOU HAVE A SWITCH BLOCK ALREADY INSTALLED ROUTE ONE OF THE WIRE LEADS FROM THE SWITCH BLOCK TO THE RELAY AND CONNECT IT TO THE TAB MARKED 86. IF YOU ARE INSTALLING THE SUPPLIED ROCKER SWITCH, FIND A SUITABLE LOCATION AND DRILL A 13/16" HOLE. USE THE SUPPLIED WIRES TO CONNECT TO THE SWITCH. USE THE LOOSE RED WIRE TO RUN POWER FROM THE ACCESSORY TERMINAL TO THE SWITCH AND INSTALL THE RING TERMINAL USING A PHILLIPS SCREWDRIVER TO REMOVE THE SCREW IN THE ACCESSORY TERMINAL. USE THE LOOSE WHITE WIRE TO CONNECT THE SWITCH TO THE RELAY TO THE TAB MARKED 86. CONNECT THE UNSHEATHED BLACK GROUND LEAD WITH THE FEMALE SPADE TO THE NEGATIVE TERMINAL ON THE SWITCH.
21. CONNECT THE RED POSITIVE AND BLACK NEGATIVE LEADS WITH THE RING TERMINALS TO THE BATTERY.
22. REINSTALL THE POCKET AND TRIM IN REVERSE ORDER.
23. TURN THE BIKES KEY SWITCH TO THE "ON" POSITION AND TEST THE LIGHTS. MAKE ANY NEED ADJUSTMENT AND MAKE SURE EVERYTHING HAS BEEN TIGHTENED BEFORE RIDING.



**FIG. 1**



**FIG. 2**