

FIG. (A)

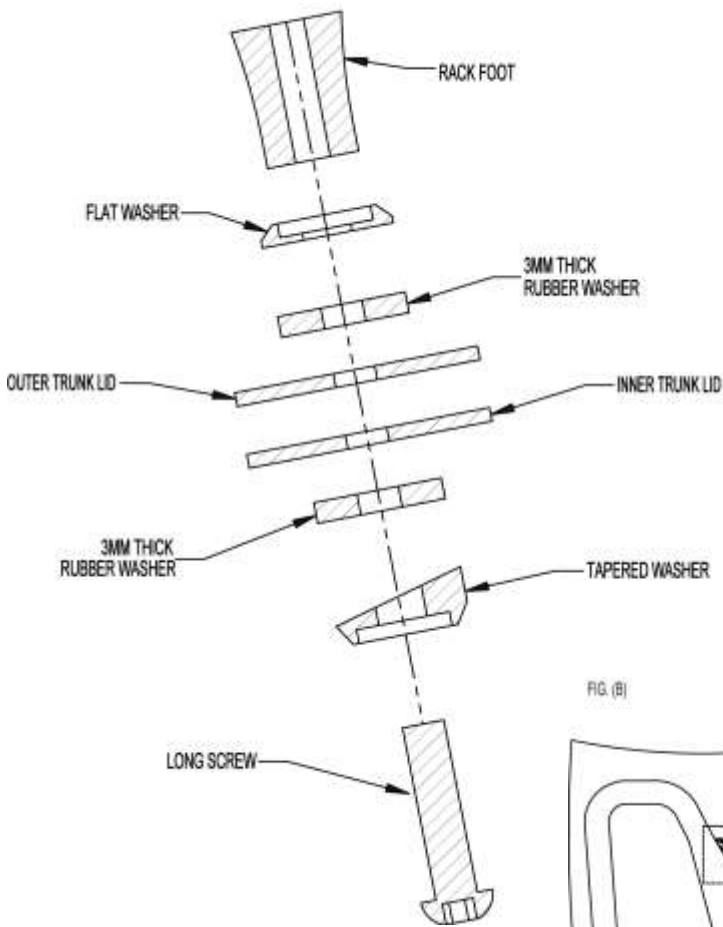


FIG. (B)

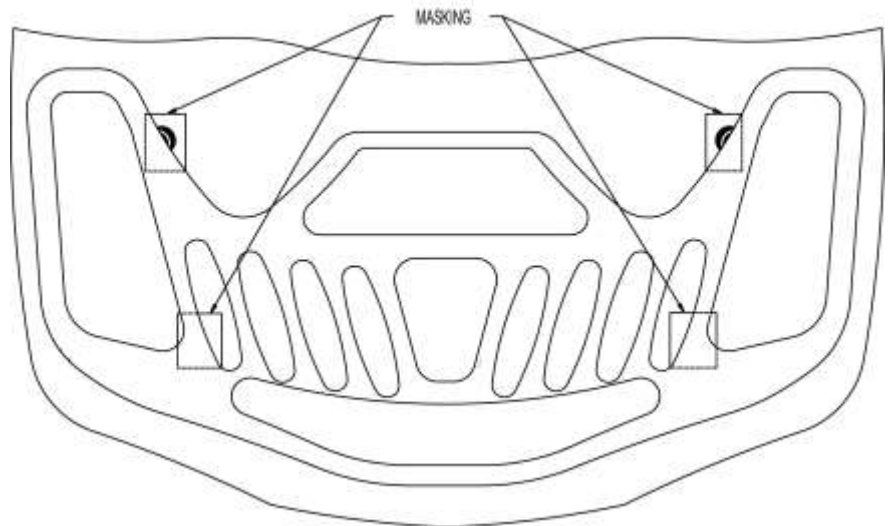
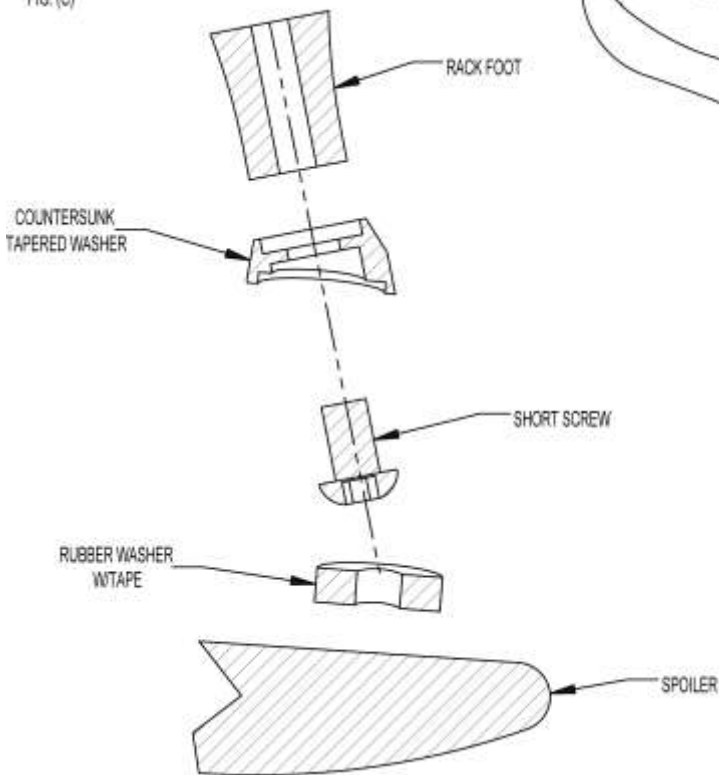


FIG. (C)



NOTICE

DO NOT EXCEED THE LOAD CAPACITY THAT IS SPECIFIED BY THE VEHICLE MANUFACTURER. EXCESSIVE LOADING ON THE TRUNK LUGGAGE RACK MAY CAUSE LOSS, DAMAGE TO THE MOTORCYCLE OR INJURY. BIG BIKE PARTS IS NOT RESPONSIBLE FOR LOSS, DAMAGE OR INJURY CAUSED DUE TO EXCESSIVE LOADS OVER THE VEHICLE MANUFACTURER'S LOAD SPECIFICATIONS ON THE LUGGAGE RACK.