

PART NO. 41-177

ABOVE MIRROR WIND DEFLECTORS

FITMENT:

CAN-AM SPYDER RT 2010-NEWER

TOOLS NEEDED:	MASKING TAPE	TAPE MEASURE	PENCIL/PEN	HAND DRILL	13/64" DRILL BIT
	1/2" THICK SCRAP WOOD	PHILLIPS SCREWDRIVER	8MM WRENCH		

PLEASE READ THROUGH AND UNDERSTAND THESE INSTRUCTIONS BEFORE BEGINNING.

ESTIMATED INSTALLATION TIME: 30 TO 45 MIN.

INSTALLATION:

1. IF YOU HAVE AN OVERSIZED WINDSHIELD LIKE BIG BIKE PARTS PART NUMBER 20-400 YOU WILL NEED TO FIRST REMOVE THE WINDSHIELD.
2. REMOVE THE HARDWARE KIT FROM THE PACKAGE AND ASSEMBLE THE PARTS AS SHOWN IN FIG. 1 BELOW. ADJUST THE TENSION OF THE SCREW AND LOCK NUT SO THAT YOU CAN EASILY MOVE ALL OF THE MOUNTS.
3. MOUNT THE DEFLECTOR PANELS TO EACH OF THE HARDWARE ASSEMBLIES AS SHOWN IN FIG. 2 BELOW. USE A M5 X 16MM SCREW WITH A PLASTIC WASHER ON THE OUTSIDE WITH A LOCK NUT ON THE INSIDE. BE CAREFUL TO NOT OVER TIGHTEN SCREWS.
4. PLACE A PIECE OF MASKING TAPE ABOUT 4 INCHES LONG ON THE FRONT OF THE LEFT UPPER OEM WIND DEFLECTOR AS SHOWN IN FIG. 3.
5. USING A PENCIL OR PEN MAKE A LINE 1-1/2" DOWN FROM THE TOP OF THE OEM WIND DEFLECTOR AS SHOWN IN FIG. 3.
6. TAKE THE LEFT ASSEMBLY AND HOLD IT ON THE FRONT OF THE OEM WIND DEFLECTOR AS SHOWN IN FIG. 4. LINE UP THE CENTER OF THE TOP HOLE WITH THE LINE YOU MARKED IN STEP 5. SLIDE IT IN SO THAT THE TUBE SPACER IS TOUCHING THE OUTSIDE EDGE OF THE OEM WIND DEFLECTOR.
7. USING A PENCIL OR PEN MARK THE CENTER OF EACH HOLE ON THE RT MOUNTS. SEE FIG. 4.
8. REMOVE THE NEW DEFLECTOR ASSEMBLY AND SET ASIDE.
9. PLACE A SMALL PIECE OF SCRAP WOOD BEHIND THE OEM WIND DEFLECTOR. USING A 13/64" DRILL BIT AND A HAND DRILL MAKE 2 HOLES IN THE LOCATIONS YOU MARKED IN STEP 7.
10. REMOVE THE MASKING TAPE AND CLEAN THE FRONT AND THE BACK OF THE OEM WIND DEFLECTOR. ALSO REMOVE ANY BURRS FROM DRILLING IF PRESENT.
11. PLACE THE NEW LEFT DEFLECTOR BACK INTO PLACE AND INSERT TWO OF THE M5 X 16MM LONG SCREWS THROUGH THE HOLES. INSTALL ONE OF THE FLAT METAL WASHERS AND A LOCK NUT ONTO EACH OF THE SCREWS AND TIGHTEN. BE CAREFUL NOT TO OVER TIGHTEN SCREWS.
12. ROTATE THE NEW DEFLECTOR AND TIGHTEN THE M5 X 70MM LONG SCREW IF NEEDED.
13. GO TO THE RIGHT SIDE AND REPEAT STEPS 4 THROUGH 12.
14. REINSTALL WINDSHIELD IF REMOVED.

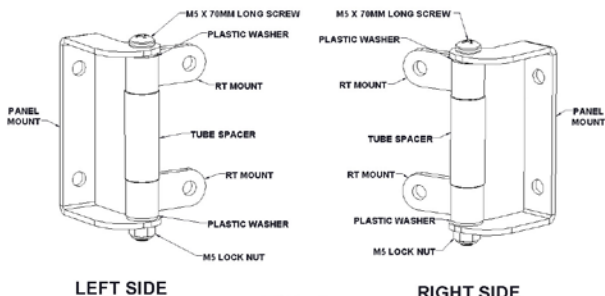


FIG. 1

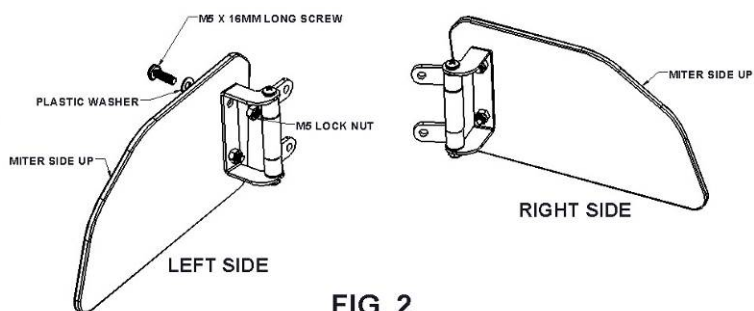


FIG. 2

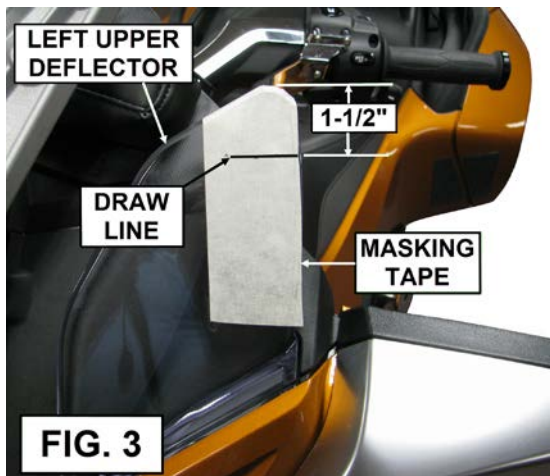


FIG. 3

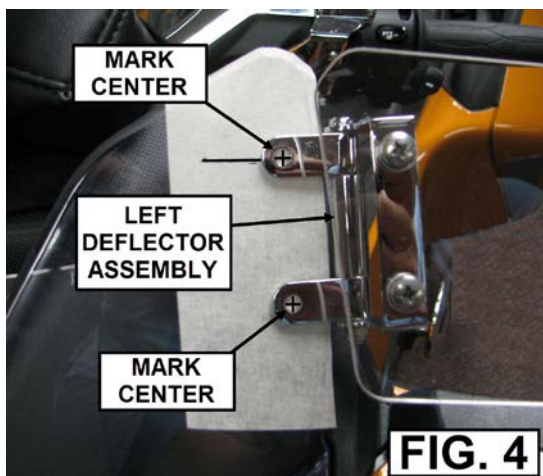


FIG. 4