

Part No. 21-910

CRUIS™ BOARDS

HARLEY-DAVIDSON 1986-NEWER

TOOLS NEEDED: SNAP RING PLIER

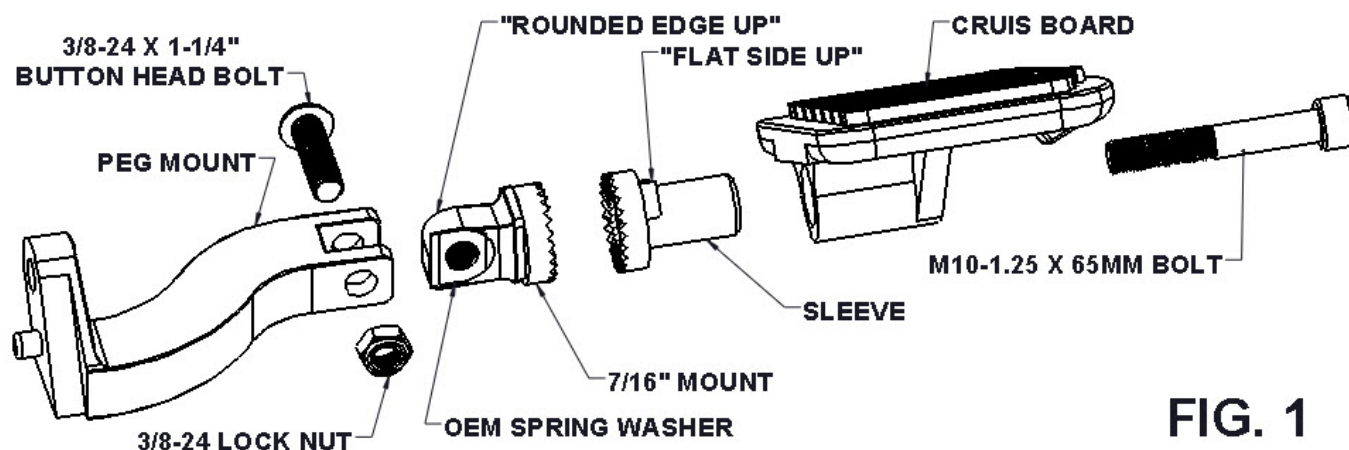
7/32" ALLEN WRENCH

9/16" WRENCH

8MM ALLEN WRENCH

PLEASE READ THROUGH AND UNDERSTAND THESE INSTRUCTIONS BEFORE BEGINNING.**INSTALLATION:**

1. STARTING ON THE RIGHT SIDE USING A SNAP RING PLIER REMOVE THE SNAP RING AND PIN FROM THE RIGHT PEG. NOTE: SOME BIKES MAY HAVE A BOLT AND NUT INSTEAD OF A PIN. THESE ITEMS WILL NOT BE REUSED.
2. SLIDE THE PEG AND SPRING WASHER OUT OF THE MOUNT. THE SPRING WASHER WILL BE REUSED.
3. TAKE ONE OF THE 7/16" MOUNTS FROM THE KIT AND WITH ROUNDED EDGE TO THE TOP PLACE THE SPRING WASHER ON THE SIDE AS SHOWN IN FIG. 1.
4. SLIDE THE MOUNT AND SPRING WASHER INTO THE PEG MOUNT AND ALIGN THE HOLES.
5. INSTALL THE 3/8-24 X 1-1/4" BUTTON HEAD BOLT FROM THE FRONT SIDE AS SHOWN IN FIG. 1. LEAVE BOLT LOOSE ENOUGH SO THAT THE MOUNT WILL SWIVEL.
6. USING A 7/32" ALLEN WRENCH TO KEEP THE BOLT FROM MOVING INSTALL THE LOCK NUT ON THE BOLT AND TIGHTEN WITH A 9/16" WRENCH. RECHECK TO MAKE SURE THE MOUNT WILL SWIVEL BEFORE PROCEEDING.
7. INSTALL THE M10 X 65MM LONG BOLT THROUGH THE BOARD AND THROUGH THE SLEEVE AND INTO THE NEW MOUNT ON THE BIKE AS SHOWN IN FIG.1. ALIGN THE FLAT EDGE ON THE TOP OF THE SLEEVE WITH THE FLAT EDGE ON THE BOARD.
8. ROTATE THE BOARD TO THE DESIRED POSITION AND USING AN 8MM ALLEN WRENCH TIGHTEN THE BOLT.
9. REPEAT THE STEPS ABOVE ON THE LEFT SIDE.

**FIG. 1**