

BIG BIKE PARTS® INSTALLATION INSTRUCTIONS

PART NO. 20-3, 20-4, 20-4T
20-512, 20-512T

WINDSHIELD GL 1500

ITEMS REQUIRED: MASKING TAPE #2 PHILLIPS SCREWDRIVER

INSTALLATION:

1. UNHOOK THE L/R RUBBER MIRROR GASKETS (1A) FROM THE MIRRORS (1B) AND MIRROR COVERS (1C).
2. RELEASE THE L/R MIRROR COVER SPRING CLAMPS (2A) FROM THE FAIRING LEDGE (2B) AND PIVOT THE MIRROR COVERS (2C) SO AS TO EXPOSE SCREWS (4A) HOLDING THE TRIM HOLDER WINDSHIELD PANEL (4B).
3. PIVOT THE MIRRORS (1B) BACK AND OUT OF THE WAY. USING A #2 MEDIUM PHILLIPS SCREWDRIVER, REMOVE THE L/R SCREWS HOLDING THE TRIM HOLDER.
4. GRASP THE WINDSHIELD PANEL (4B) AND PULL IT FORWARD TO DISENGAGE THE TWO TABS (4C) JUST ABOVE THE HEADLIGHT (4D).
5. USING A #2 MEDIUM PHILLIPS SCREWDRIVER, REMOVE THE FIVE SCREWS (5A) HOLDING THE WINDSHIELD (5B) & REMOVE THE WINDSHIELD.
6. REPLACE WINDSHIELD AND ALL OTHER COMPONENTS BY REVERSING STEPS 1 THROUGH 5.

FIGURE #1

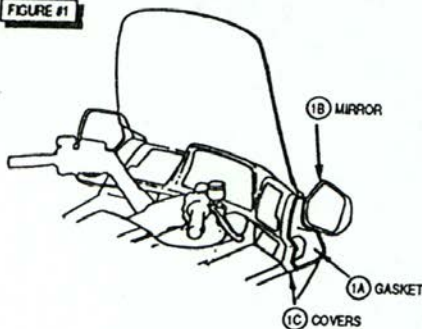


FIGURE #2

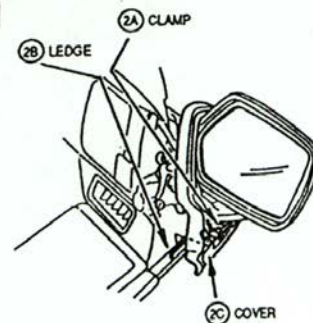


FIGURE #3

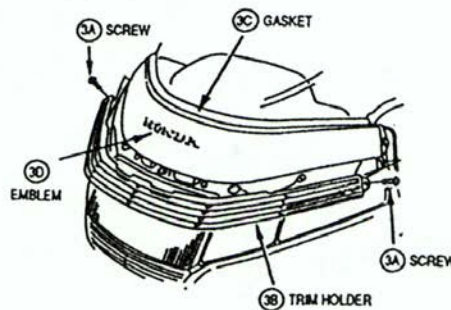


FIGURE #4

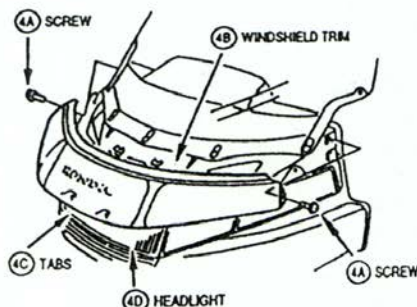


FIGURE #5

