



INSTALLATION INSTRUCTIONS

500 SERIES
FAIRING WIND DEFLECTORS

FOR HONDA GL1500/6
GOLDWING MODELS

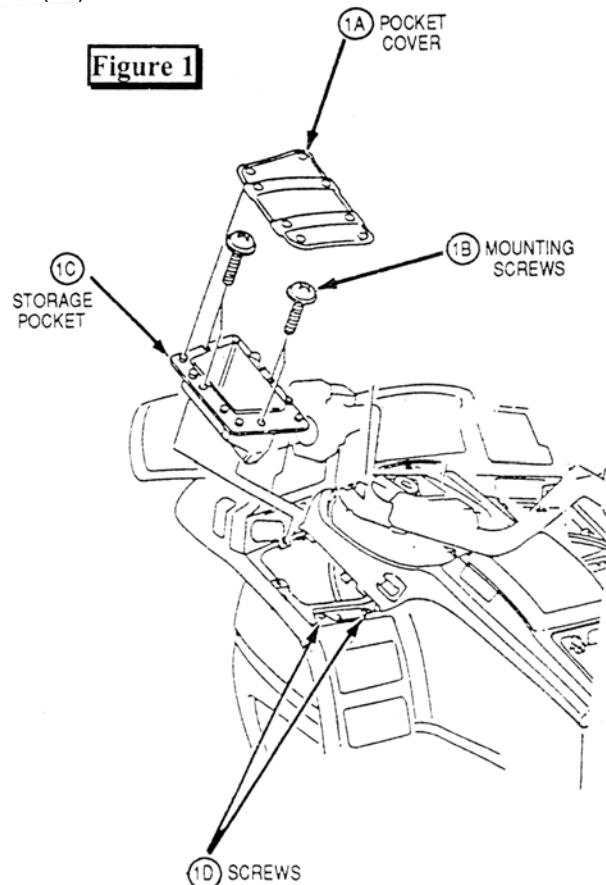
ITEMS REQUIRED: #2 MEDIUM PHILLIPS SCREWDRIVER

INSTALLATION:

1. REMOVE THE FOLLOWING:
 - a) REMOVE THE LEFT STORAGE POCKET COVER (1A).
 - b) USING A #2 MEDIUM PHILLIPS SCREWDRIVER, REMOVE THE FOUR MOUNTING SCREWS (1B) FROM THE LEFT STORAGE POCKET (1C). REMOVE THE LEFT STORAGE POCKET (1C).
 - c) USING A #2 MEDIUM PHILLIPS SCREWDRIVER, REMOVE THE TWO PHILLIPS SCREWS (1D) LOCATED UNDER THE LEFT STORAGE POCKET (1C).
2. USING THE #2 MEDIUM PHILLIPS SCREWDRIVER, INSTALL THE LEFT HAND WIND DEFLECTOR PIVOT BRACKET (2A) USING THE M5 X 18 SCREWS PROVIDED (2B) AND THE #10 FLAT WASHERS PROVIDED (2C), IN PLACE OF THE TWO SCREWS (1D) REMOVED IN STEP 1c.
3. REINSTALL THE LEFT HAND STORAGE POCKET (1C) USING THE STOCK SCREWS (1B) AND THE LEFT HAND POCKET COVER (1A) BY REVERSING STEPS 1a & 1b.
4. TO ATTACH THE WIND DEFLECTOR (2D) TO THE PIVOT BRACKET (2A) LOCATE THE MOUNTING BOLT (2F). START BY INSERTING IT INTO THE BOTTOM OF THE WIND DEFLECTOR BRACKET (2D). ADD 1 OR 2 OF THE THIN PLASTIC WASHERS (SEE NOTE 1) SLIDE THE WIND DEFLECTOR (2D) ONTO THE PIVOT BRACKET (2A) AND THEN SLIDE THE MOUNTING BOLT (2F) UP. AFTER SLIDING THE MOUNTING BOLT (2F) UP YOU NEED TO PUT ANOTHER PLASTIC SHIM BETWEEN THE TOP OF THE PIVOT BRACKET (2A) AND THE BOTTOM OF THE WIND DEFLECTOR (2D). FINISH SLIDING THE MOUNTING BOLT (2F) UP. NEXT, INSTALL LARGE PLASTIC SPACER, ONE LOC WASHER, AND ONE ADJUSTMENT KNOB (2E) TO THE TOP OF THE WIND DEFLECTOR (2D).

NOTE 1: DUE TO SOME SIZE DIFFERENCES IN THE WIND DEFLECTOR (2D) AND THE PIVOT BRACKET (2A), THERE ARE EXTRA PLASTIC WASHERS PROVIDED TO MAKE UP FOR ANY SIZE DIFFERENCES.

5. REPEAT STEPS 1, 2 AND 3 FOR THE RIGHT HAND SIDE.
6. THE ANGLE OF WIND DEFLECTORS (2D) CAN BE PIVOTED BY LOOSENING THE ADJUSTMENT KNOBS (2E) AND THEN RETIGHTENING SECURELY.



OVER

Figure 2

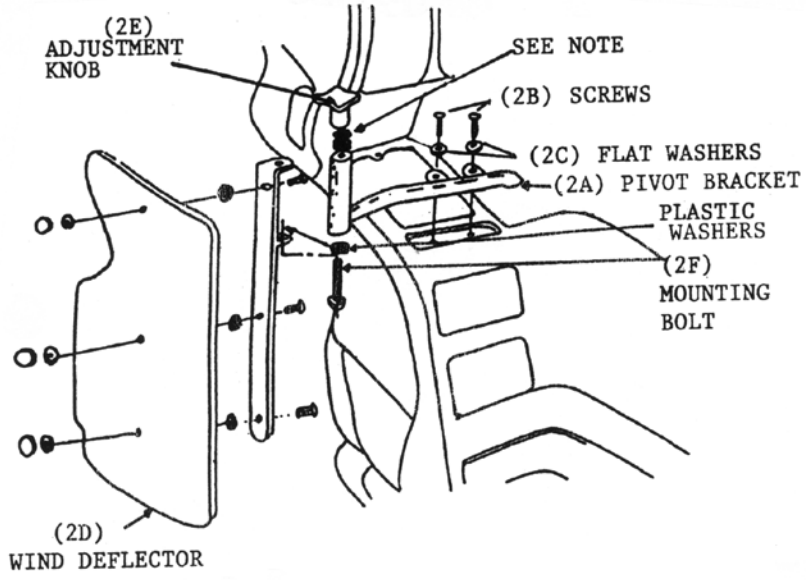


Figure 2A

