

PART NO. 16-104A, 16-104LED, 16-104ABK,  
16-104LEDBK**MINI DRIVING LIGHT**

FITMENT: UNIVERSAL

TOOLS NEEDED: 2MM ALLEN WRENCH

5MM ALLEN WRENCH

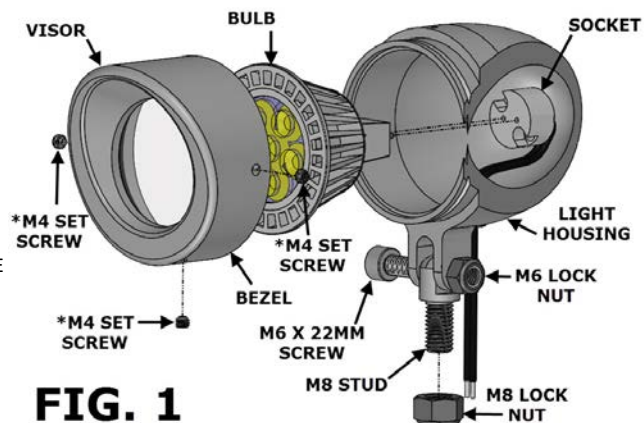
10MM WRENCH

13MM WRENCH

REMOVABLE THREAD LOCKER

**PLEASE READ THROUGH AND UNDERSTAND THESE INSTRUCTIONS BEFORE BEGINNING.****INSTALLATION:**

1. USING A 2MM ALLEN WRENCH LOOSEN THE THREE M4 SET SCREW SHOWN IN FIG. 1.
2. REMOVE THE BEZEL AND INSTALL THE BULB AS SHOWN. MAKE SURE THE SOCKET IS PUSHED ALL THE WAY ONTO THE PINS ON THE BULB.
3. REINSTALL THE BEZEL. MAKE SURE IT IS PUSHED IN TIGHT AGAINST THE LIGHT HOUSING.
4. ROTATE THE BEZEL SO THAT THE VISOR WILL BE ON THE TOP WHEN THE LIGHT IS MOUNTED ON THE BIKE.
5. ONE AT A TIME REMOVE EACH \*M4 SET SCREW AND APPLY A SMALL DROP OF REMOVABLE THREAD LOCKER AND TIGHTEN.
6. USING A M5 ALLEN WRENCH AND A 10MM WRENCH TIGHTEN THE M6 X 22MM LONG SCREW AND M6 NUT.
7. MOUNT THE LIGHT ON THE BIKE USING THE M8 STUD AND LOCK NUT AND TIGHTEN.
8. CONNECT WIRES TO POWER SOURCE AND TEST.

**FIG. 1**