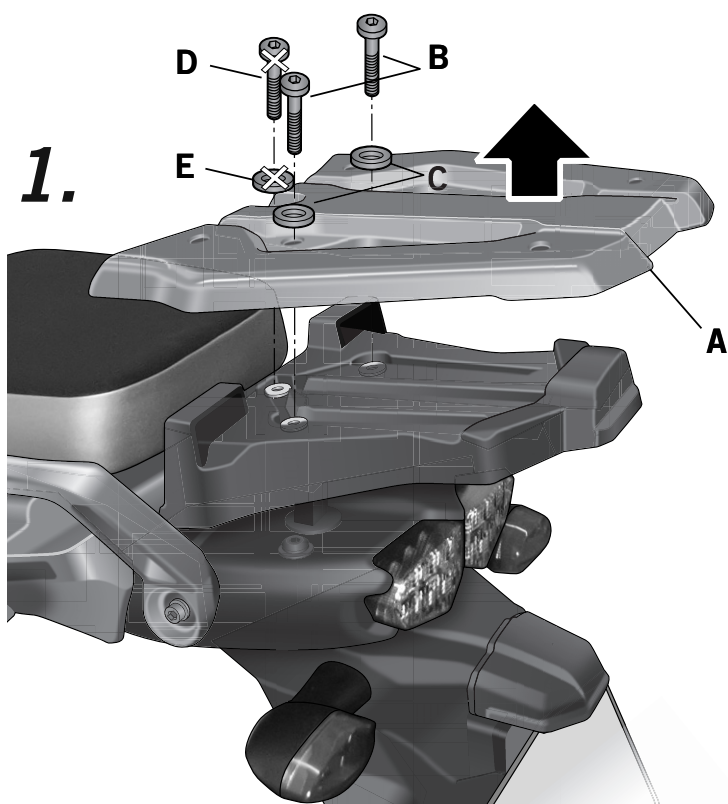
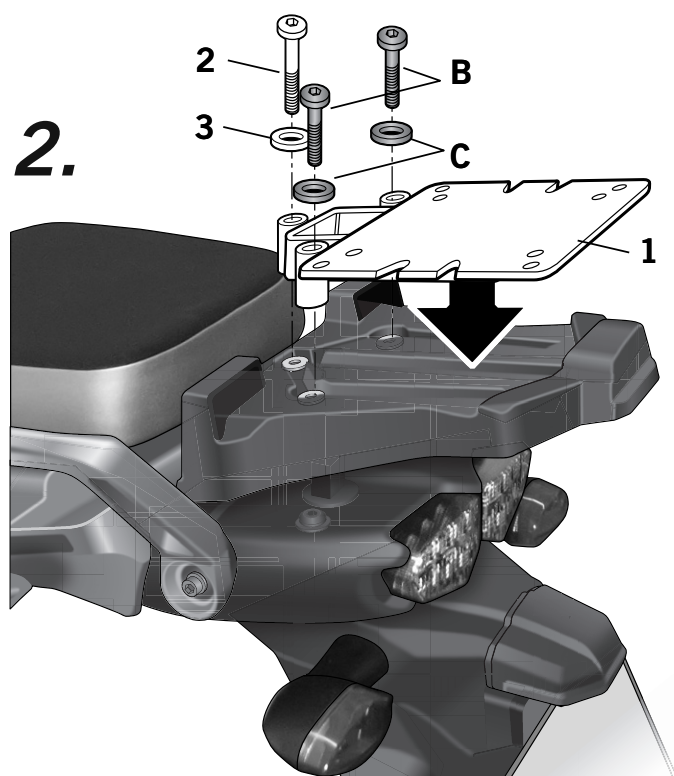


Advice for correct fitting of the kit: Do not fully tighten the screws until it is ensured that the KIT is correctly attached and aligned.



Dismantle and reject the hub cap (A) by means of the screws (B) and the washers (C) in the back area, and in the front area through the screw (D) and the washer (E) that are rejected.



Assemble the support KIT TOP (1) in the front area through the screw (2) and the washer (3) and in the back area through the screws (B) and the washers (C).

PARTS :

Pos.	Ref.		Cant.	
1	261314		1	KIT TOPMASTER
2	304169		1	M8 x 50 DIN 7380 - Screw
3	303020		1	Ø8 - Washer

YAMAHA XT 1200 SUPERTENERE '10
Y0XT10ST
KIT TOPMASTER

SHAD

Shop for other luggage systems & saddlebags more on our website.