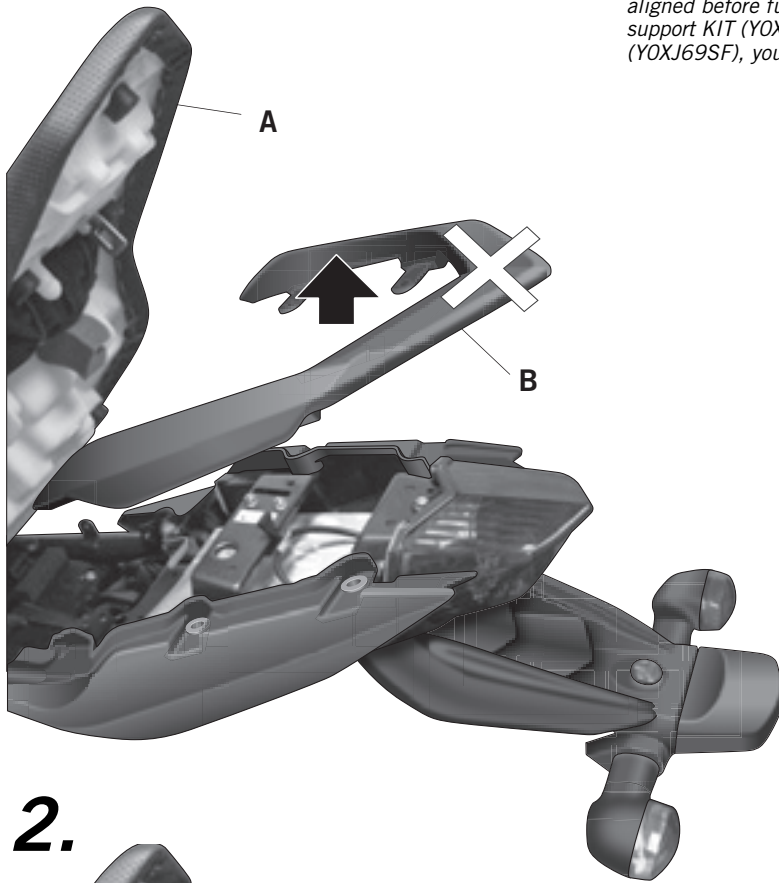


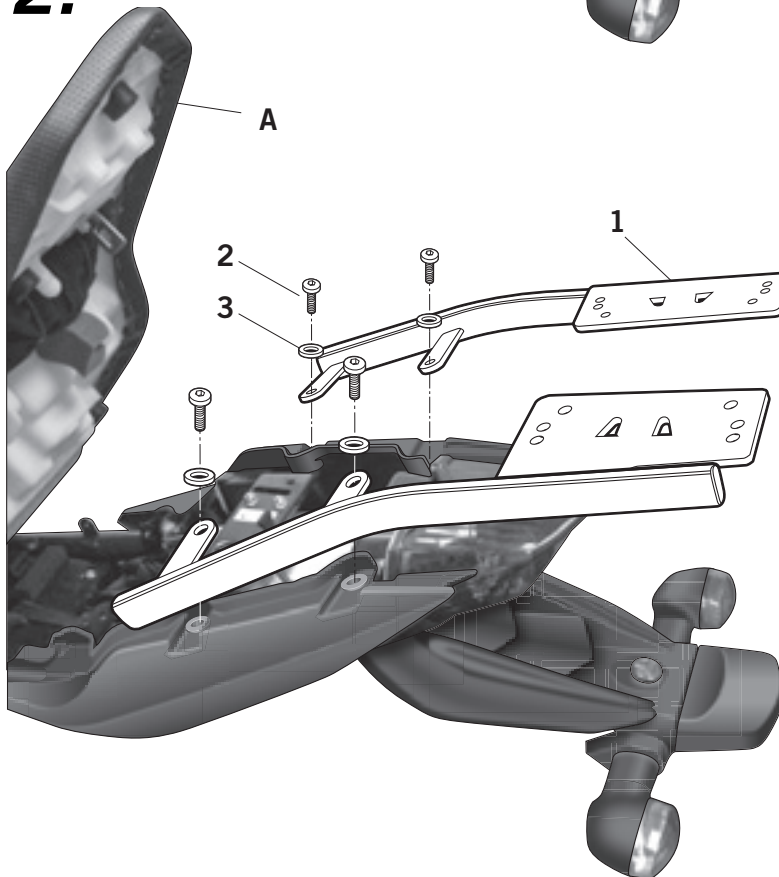
1.



Advice for correct fitting of the kit: Ensure that the kit is correctly fitted and aligned before fully tightening the screws. If you wish to attach the support KIT (YOXJ69ST) and your motorbike already has KIT FULL supports (YOXJ69SF), you must attach the KIT TOP supports over the SIDE.

Open the seat (A), remove the rear handle and discard (B).

2.



Attach the KIT TOP support (1) using the screws (2) and the washers (3). Attach the seat (A).

PARTS:

Pos.	Ref.		Cant.	
1	261200		1	Right top kit support
	261210		1	Left top kit support
2	304053		4	M8 x 30 DIN 7380 - Screw
3	303020		4	Ø8 - Washer

YAMAHA XJ 600 '09
KIT TOPMASTER
YOXJ69ST

SHAD