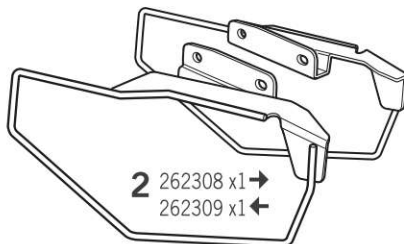


SHAD

YAMAHA MT09 TRACER '18 SIDE BAG HOLDER YOTR98SE



1 262314 x1 →
262315 x1 ←



2 262308 x1 →
262309 x1 ←



3 303045 x 8
Ø8



4 304053 x4
M8 x 30 Din 7380



5 302024 x 4
M8

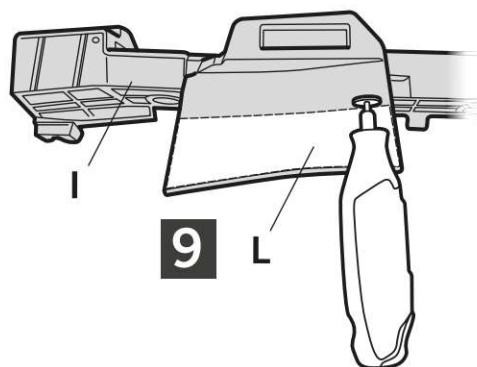
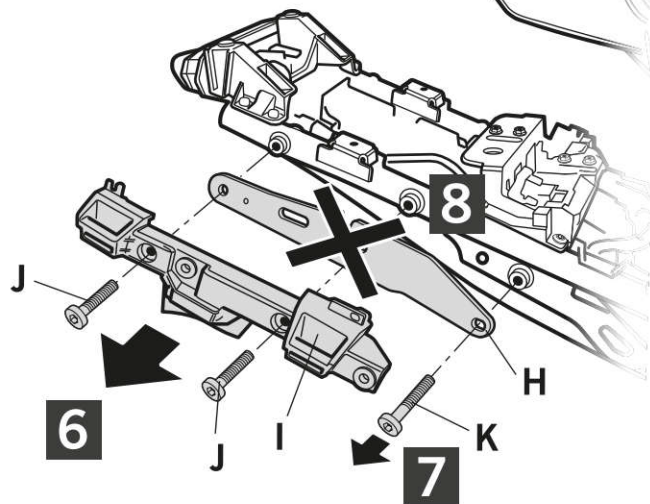
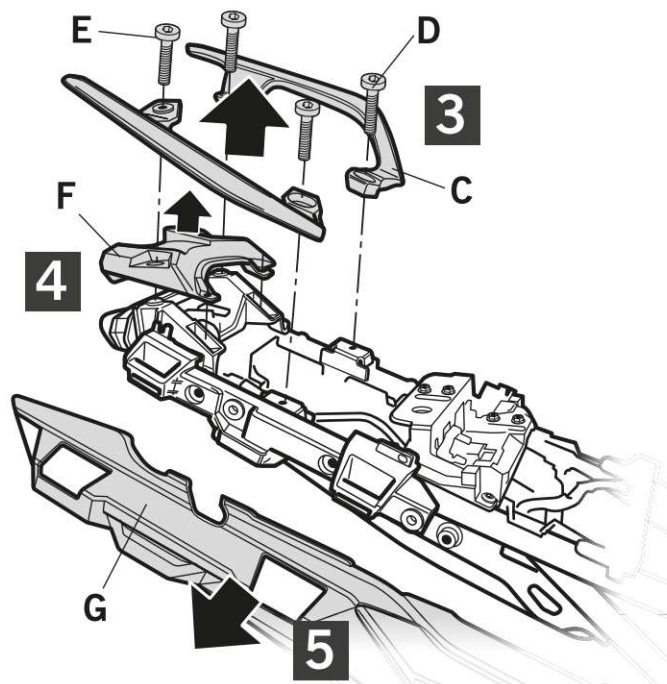
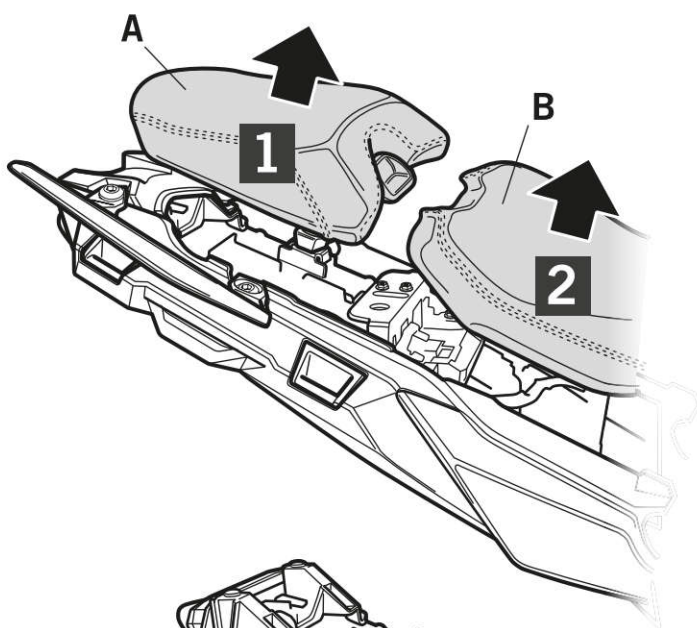


WARNING!

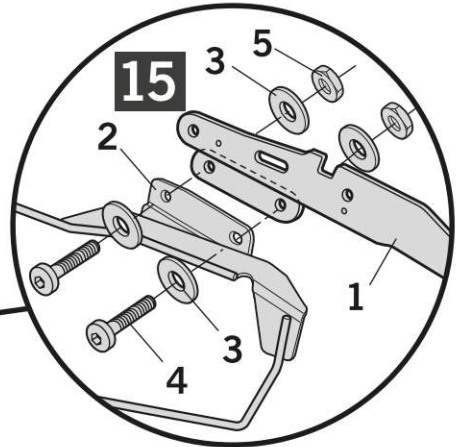
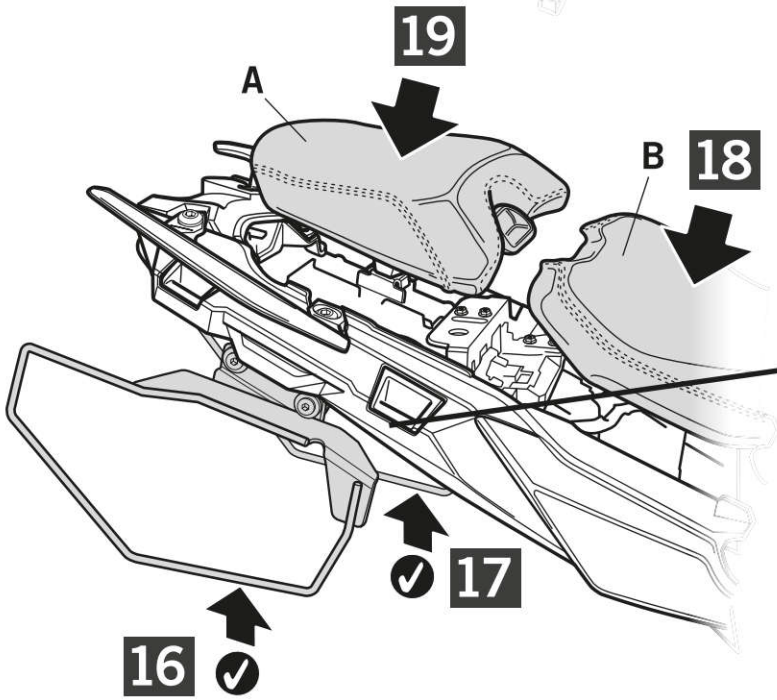
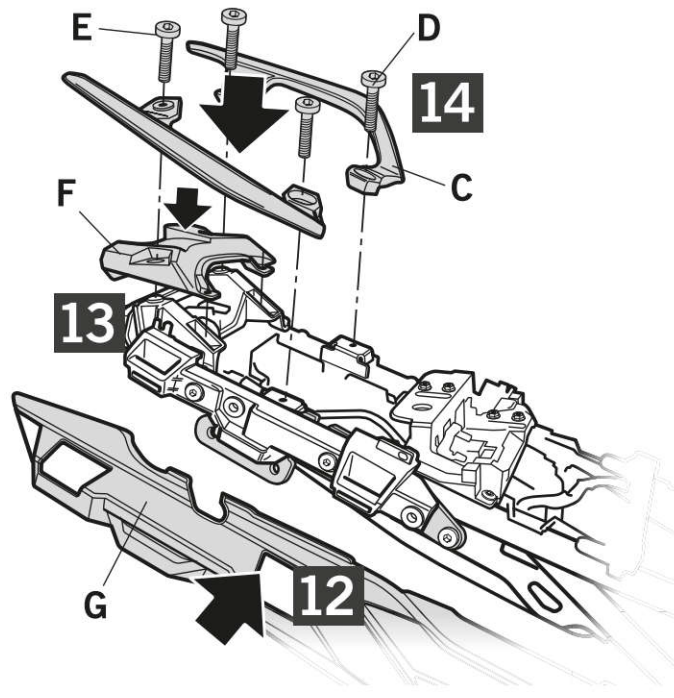
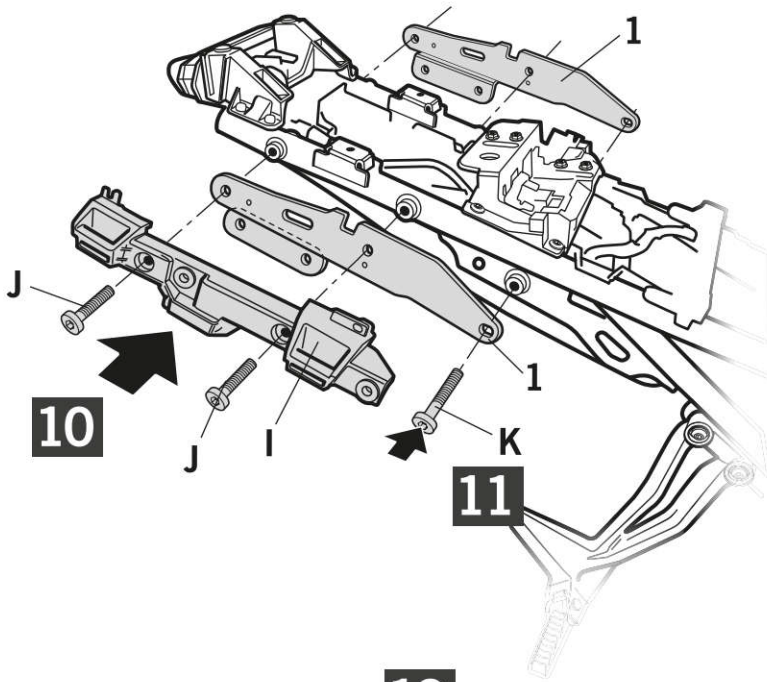
GB

Do not fully tighten the screws until it is ensured that the KIT is correctly attached and aligned.

ATTENTION: For a full equip assembly, mount the side bag holder later the top master.



IMPORTANT: Based on European models.



TOP MASTER
+
SIDE BAG
HOLDER

