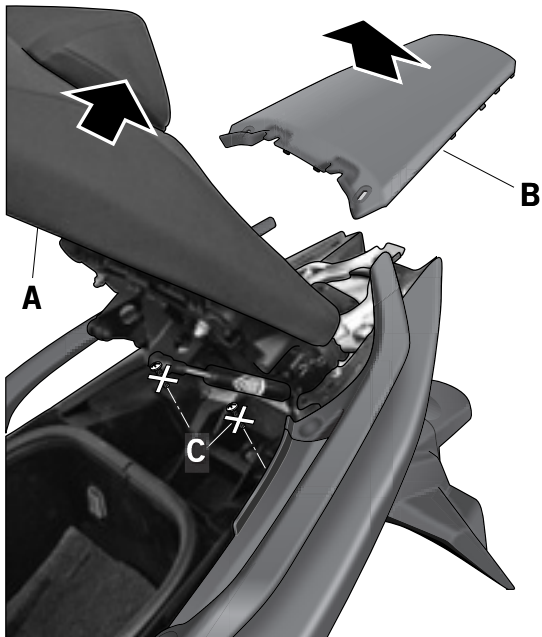


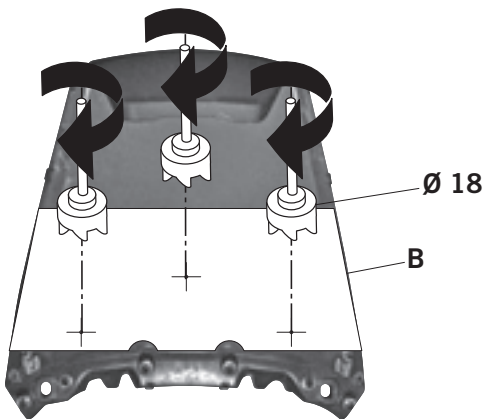
PROPER KIT ASSEMBLY: Do not fully tighten the screws until it is ensured that the KIT is correctly attached and aligned.

1.



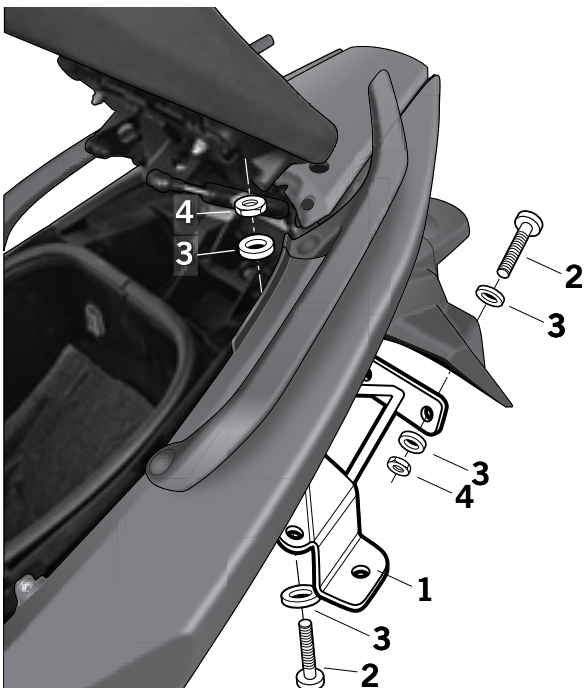
Open the seat (A) and disassemble the back cover (B).
Disassemble and discard the front screws (C) holding the seat's mechanism.

2.

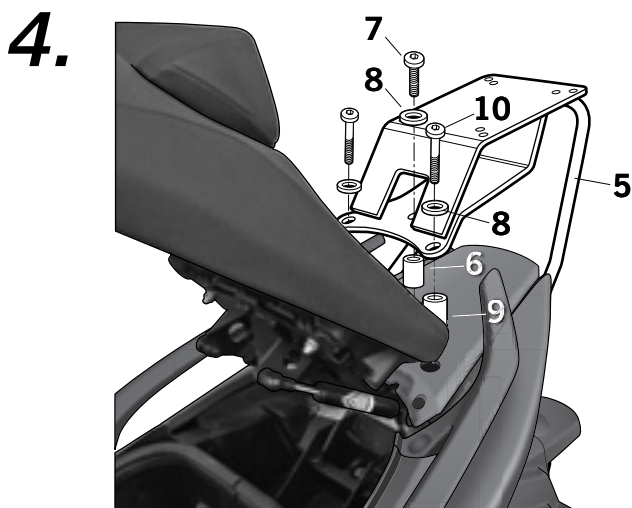


Place the stencil and make three 18 Ø holes (it is recommended to make an initial hole with an inferior diameter and progressively increase it). Assemble the back cover (B).

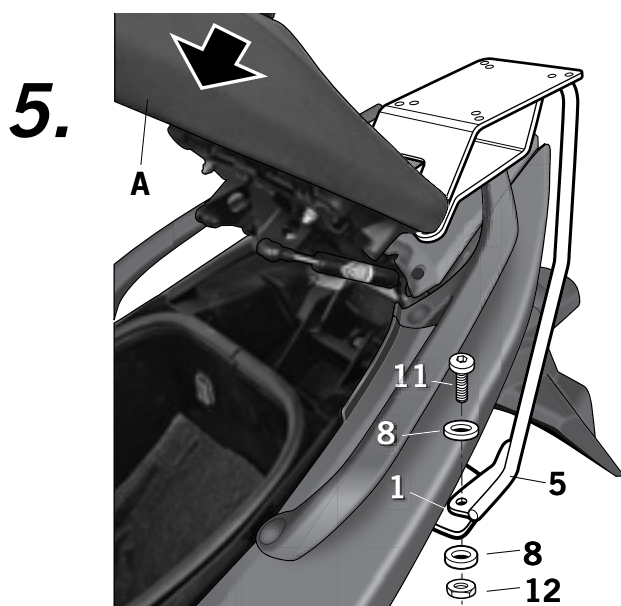
3.



Disassemble and discard the reinforcement support (D) from the back handle and in its place, assemble the reinforcement support (1) in the chassis zone by means of the screws (2), the washers (3) and the nuts (4); and in the plate zone by means of the screws (2), washers (3) and nuts (4).



Assemble the KIT TOP support (5) in the upper central zone by means of the spacer (6), the screw (7) and the washer (8); and in the upper front zone by means of the spacers (9), the screws (10) and the washers (8).



Last, attach it to the reinforcement support (1) in the lower zone by means of the screws (11), the washers (8) and the nuts (12). Close the back seat (A).

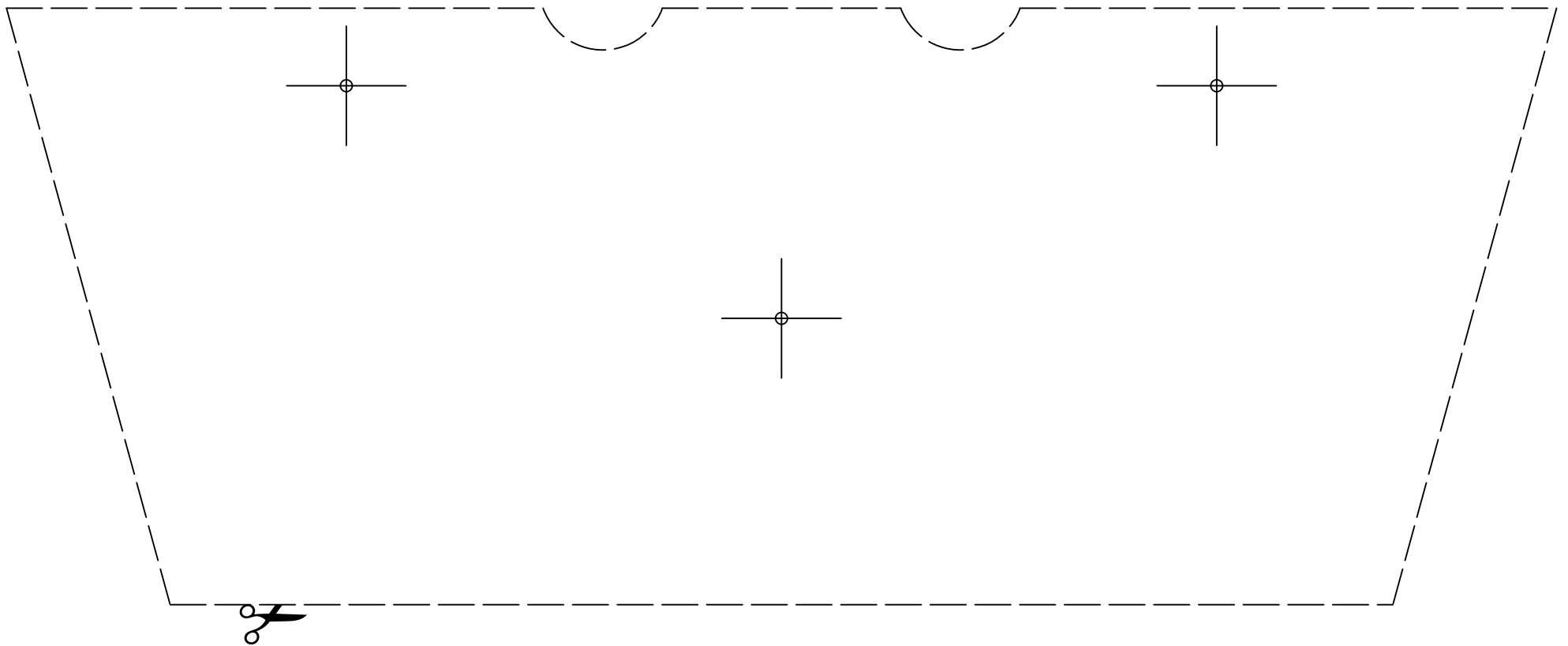
PARTS:

Pos.	Ref.		Cant.	
1	261266		1	Reinforcement support
2	304057		6	M6 x 25 DIN 912 - Screw
3	303017		12	Ø18 x Ø6 - Washer
4	302021		6	Self-blocking Nut M6
5	261263		1	KIT TOPMASTER
6	260213		1	Ø16 Ø9 x 12 - Spacer
7	304039		1	M8x40 DIN 7380 - Screw
8	303020		7	Ø8 - Washer
9	261265		2	Ø16 Ø9 x 53 - Spacer
10	304173		2	M8x75 DIN 7380 - Screw
11	304028		2	M8x25 DIN 7380 - Screw
12	302024		2	Self-blocking Nut M8

SHAD

YAMAHA T-MAX 500 '09
KIT TOPMASTER

Y0TM59ST



Shop for other luggage systems & saddlebags more on our website.