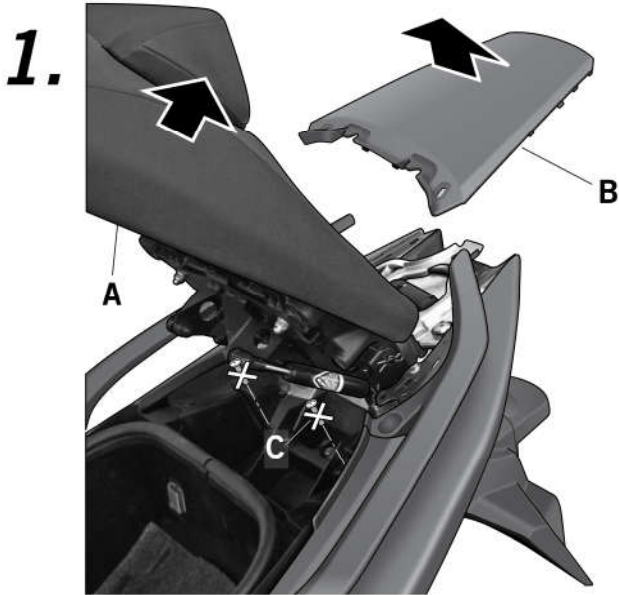
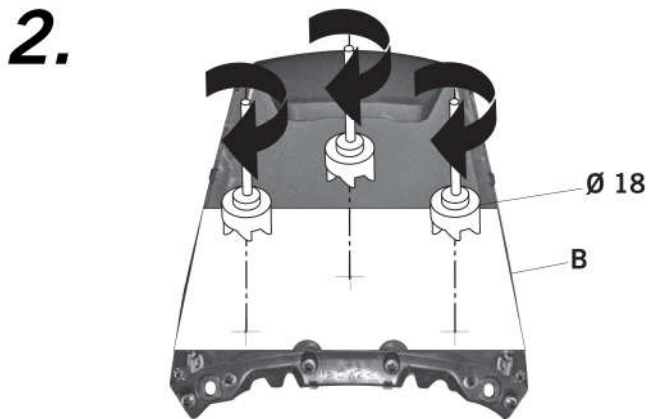


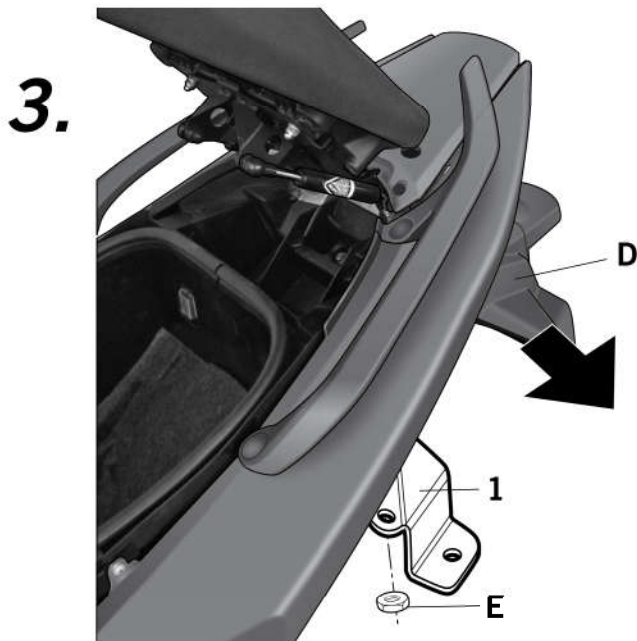
Ⓞ **PROPER KIT ASSEMBLY:** Do not fully tighten the screws until it is ensured that the KIT is correctly attached and aligned.



Ⓞ Open the seat (A) and disassemble the back cover (B). Disassemble and discard the front screws (C) holding the seat's mechanism.

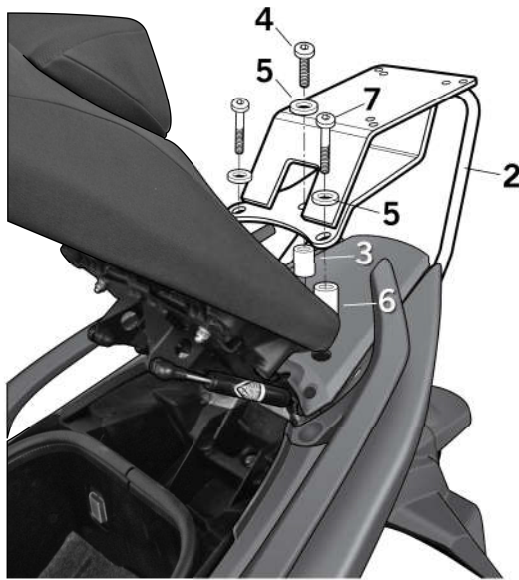


Ⓞ Place the stencil and make three 18 Ø holes (it is recommended to make an initial hole with an inferior diameter and progressively increase it). Assemble the back cover (B).



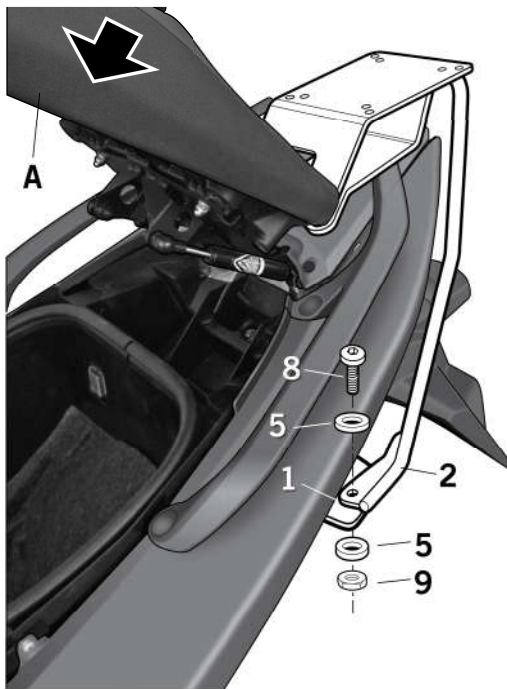
Ⓞ Disassemble the rear mudguard (D) by means of the nuts (E), assemble the reinforcement support (1) between the chassis and the rear mudguard (D) by means of the nuts (E).

4.



(GB) Assemble the KIT TOP support (2) in the upper central zone by means of the spacer (3), the screw (4) and the washer (5); and in the upper front zone by means of the spacers (6), the screws (7) and the washers (5).

5.



(GB) Last, attach it to the reinforcement support (1) in the lower zone by means of the screws (8), the washers (5) and the nuts (9). Close the back seat (A).

PARTS

Pos.	Ref.		Cant.	
1	261431		1	Reinforcement support
2	261432		1	KIT TOPMASTER
3	260213		1	Ø16 Ø9 x 12 - Spacer
4	304039		1	M8x40 DIN 7380 - Screw
5	303020		7	Ø8 - Washer
6	261265		2	Ø16 Ø9 x 53 - Spacer
7	304173		2	M8x75 DIN 7380 - Screw
8	304028		2	M8x25 DIN 7380 - Screw
9	302024		2	Self-blocking Nut M8

