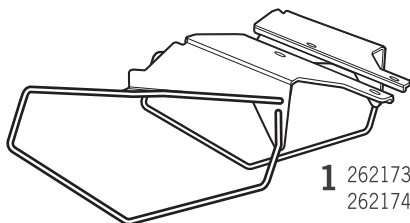


# SHAD

## YAMAHA MT 09 '17

### SIDE BAG HOLDER YOMT97SE



1 262173 x1 →  
262174 x1 ←



2 261121 x4  
Ø20 Ø11 x 18



3 303045 x4  
Ø8



4 304039 x4  
M8 x 40 DIN 7380



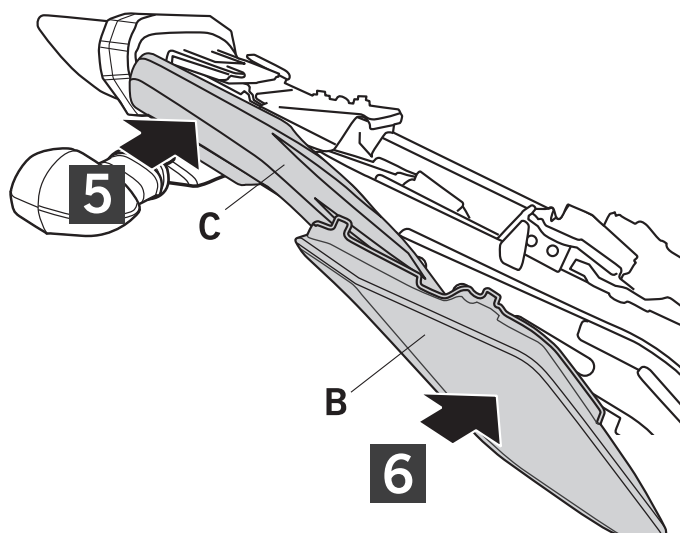
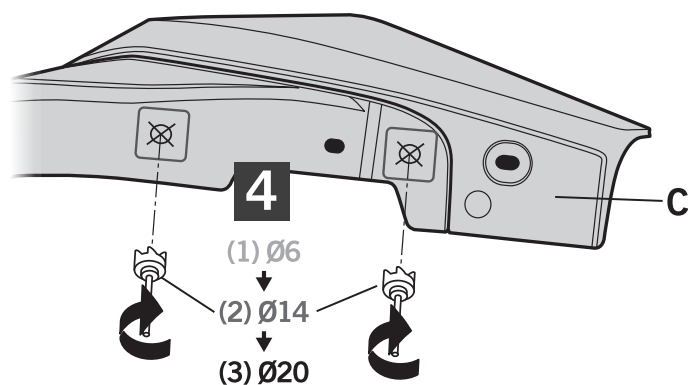
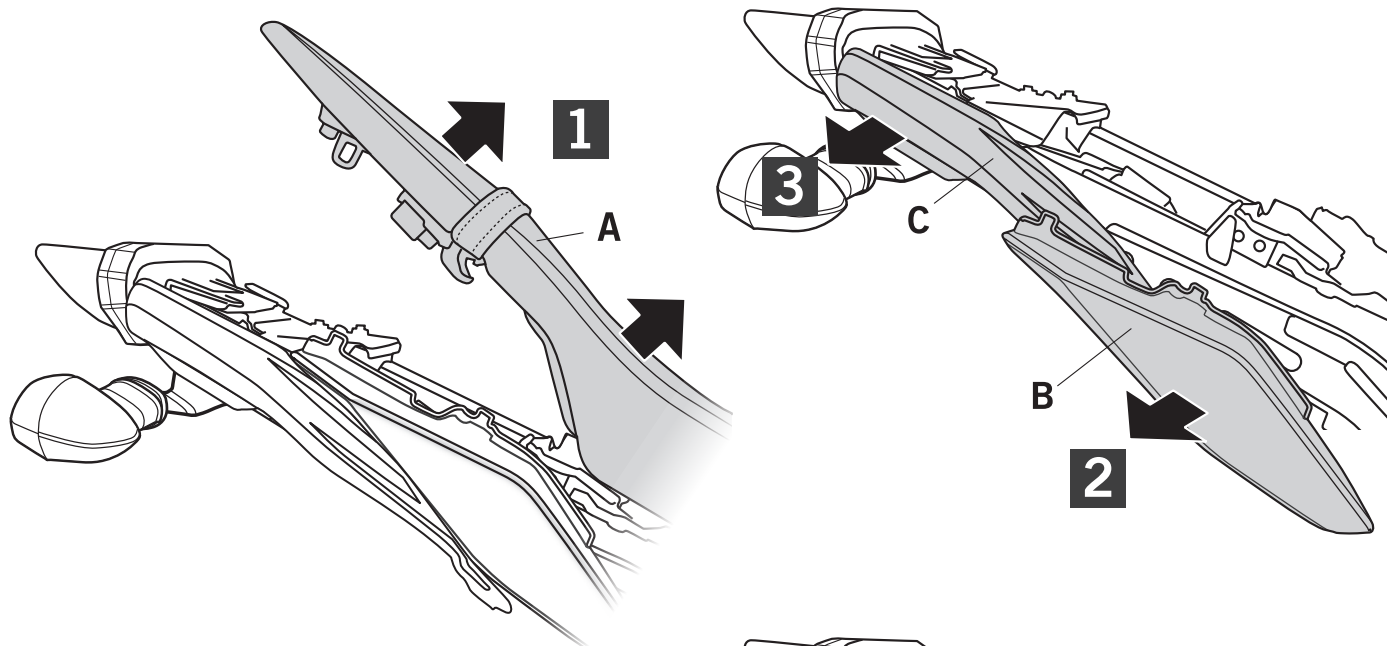
5 304036 x4  
M8 x 45 DIN 7380

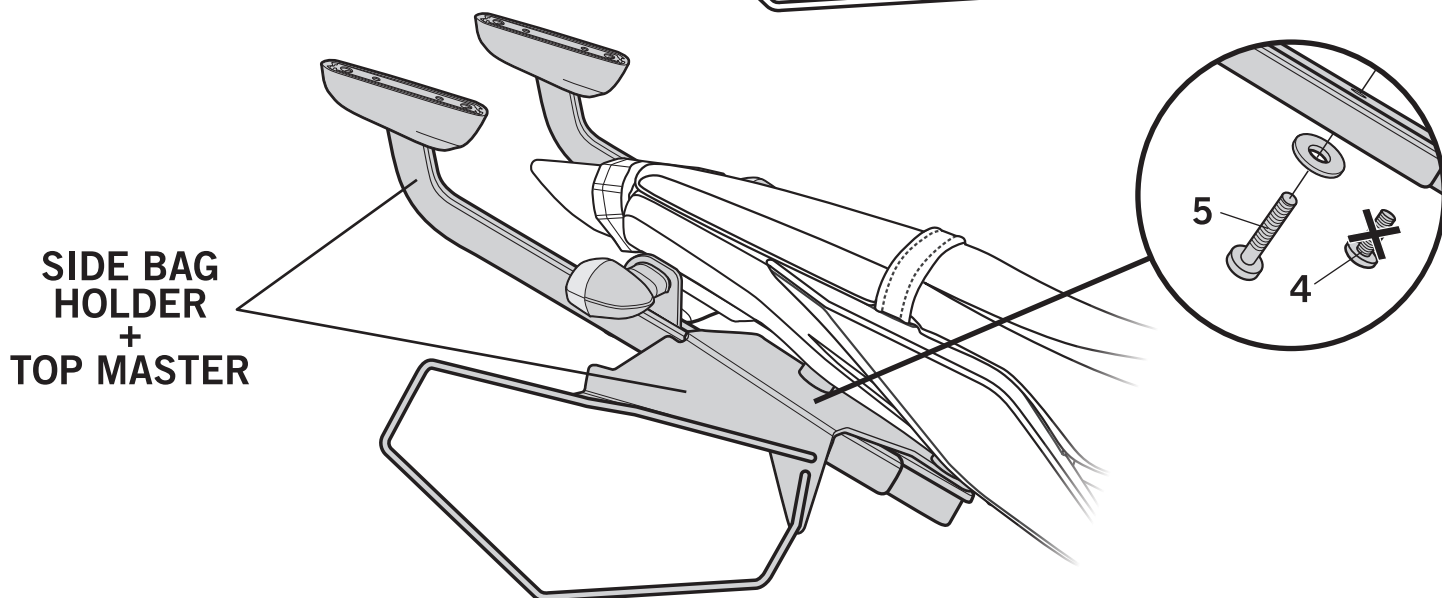
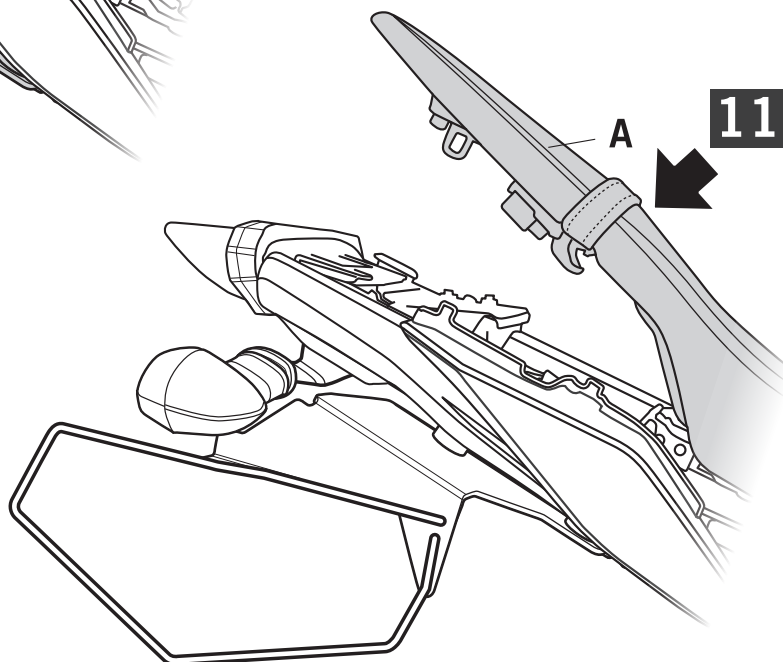
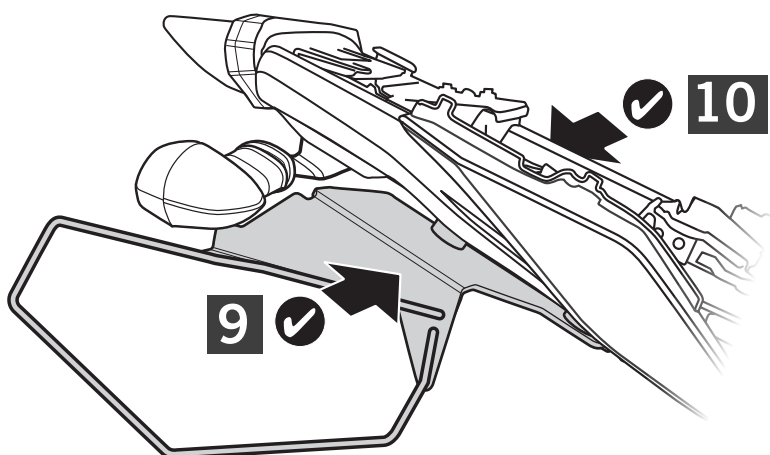
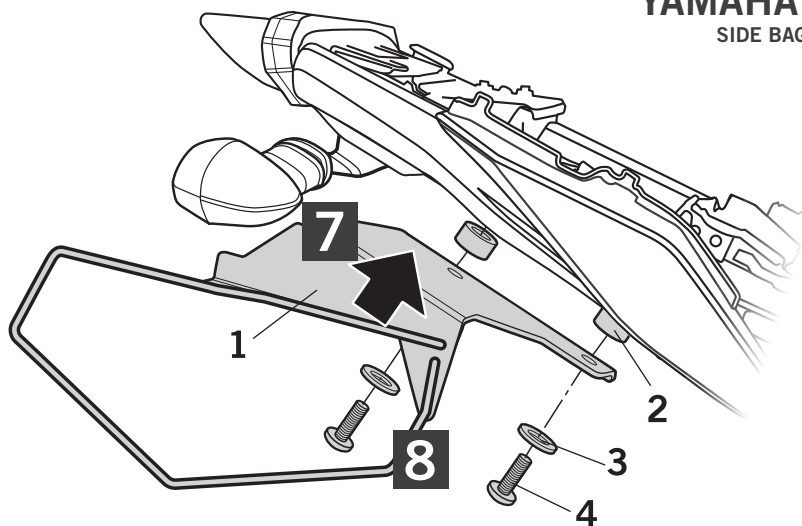
### ! WARNING!

GB

Do not fully tighten the screws until it is ensured that the KIT is correctly attached and aligned.

ATTENTION: For a full equip assembly, mount the 3p system before the top master.





SIDE BAG  
HOLDER  
+  
TOP MASTER