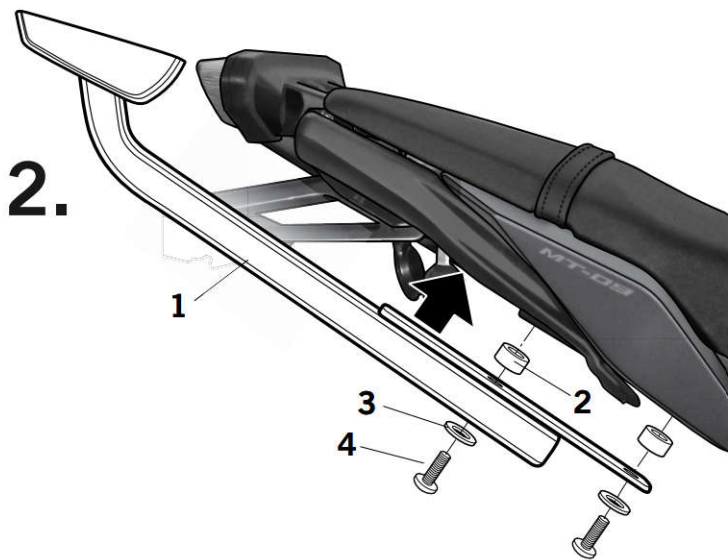


Ⓜ Advice for correct fitting of the kit: Do not fully tighten the screws until it is ensured that the KIT is correctly attached and aligned.



Ⓜ Open the seat (A). Disassemble the lateral covers (B). Disassemble the lateral fairing (C) and make two Ø20 mark holes on it. Assemble the lateral fairing (C) and the lateral covers (B).



Ⓜ Assemble the KIT TOP support (1) by means of the spacers (2), the washers (3) and the screws (4). Close the seat (A).

PARTS :

| Pos. | Ref. | Cant. | |
|------|--------|-------|--------------------------|
| 1 | 261617 | 1 | Right top kit support |
| | 261618 | 1 | Left top kit support |
| 2 | 260852 | 4 | Ø17 Ø11 x 10 - Spacer |
| 3 | 303045 | 4 | Ø8 - Special washer |
| 4 | 304028 | 4 | M8 x 25 DIN 7380 - Screw |