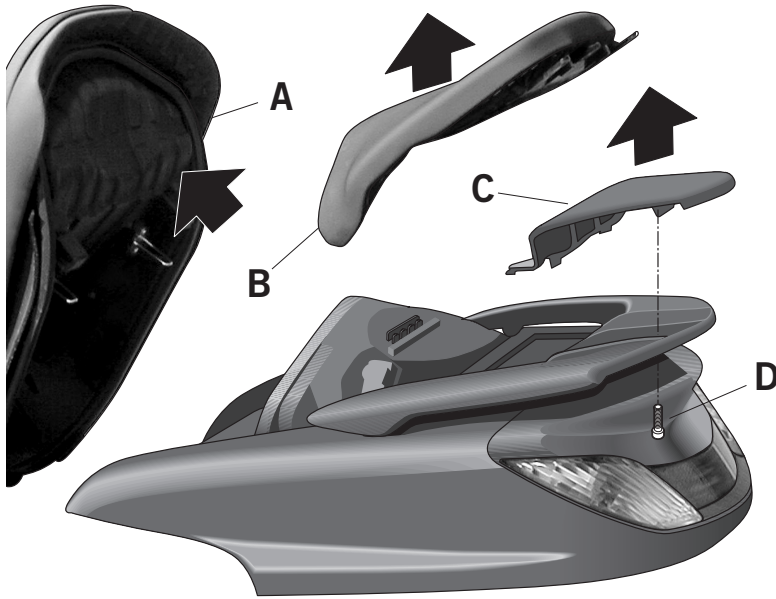


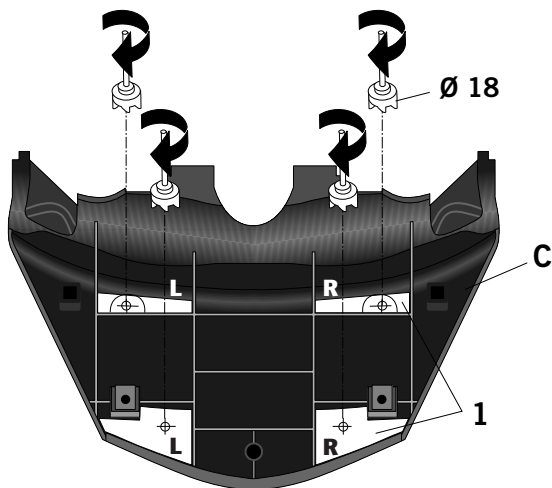
Advice for correct fitting of the kit: Do not fully tighten the screws until it is ensured that the KIT is correctly attached and aligned.

**1.**



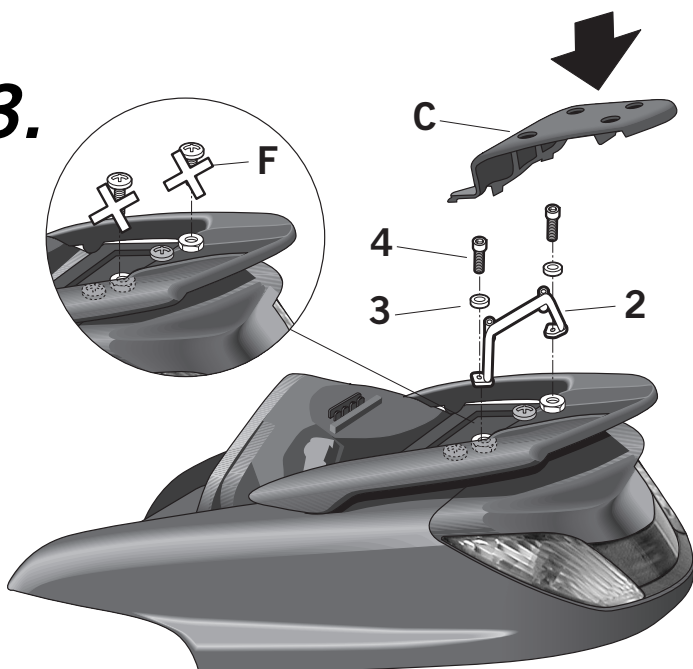
Open the seat (A) Disassemble the back seat (B).  
Disassemble the cylinder head (C) of the back  
streamlining by removing the screws (D).

**2.**



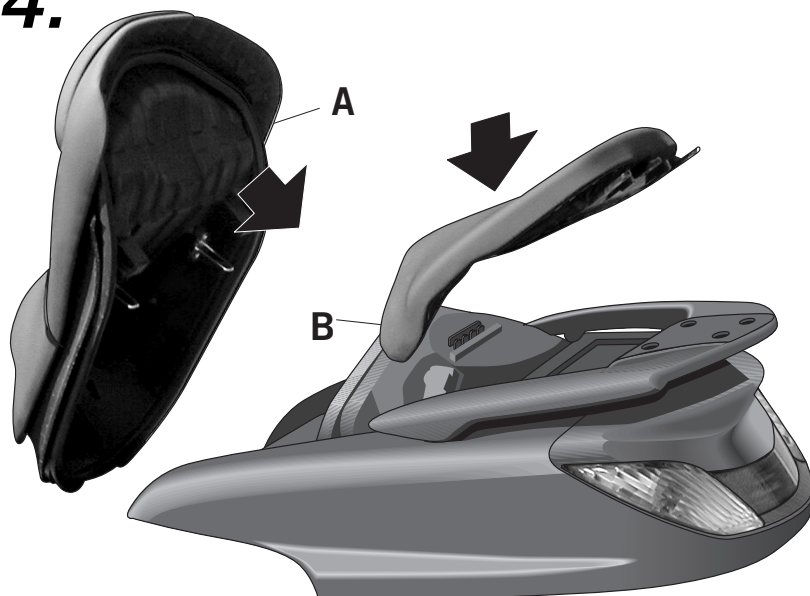
Cut the templates (1), place them in the lid (C) as  
shown in the diagram (E), mark the centres and  
make the four Ø18 holes. Note. We recommend you  
do not make this hole in one go, but instead make  
several from lower Ø until you reach Ø 18.

**3.**



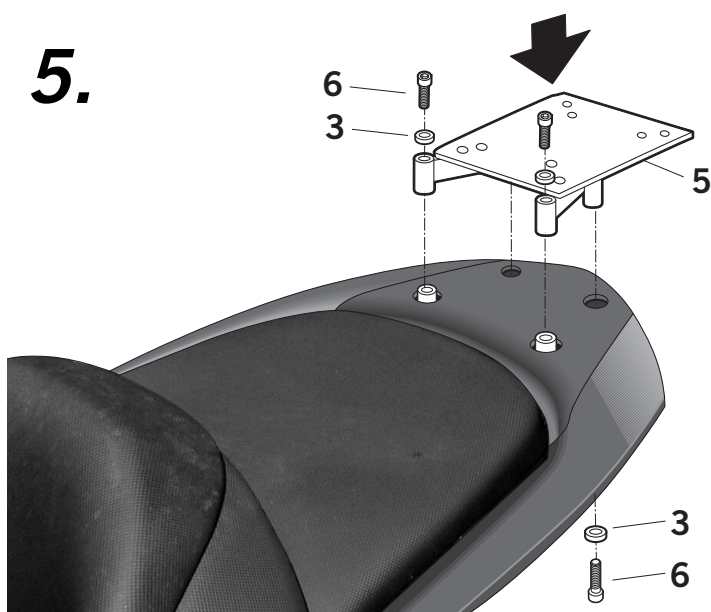
Take apart and reject screw (F).  
Assemble the rod support (2) with washers (3)  
and the screws (4). Assemble the lid (C).

**4.**







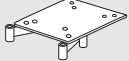

Montar el asiento trasero (B).  
Cerrar el asiento (A).

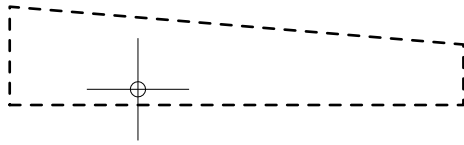
**5.**



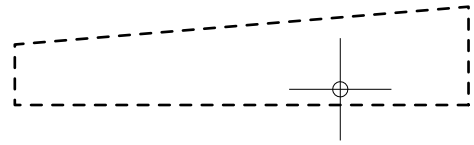
Assemble the KIT TOP support (5) with the washers (3) and the screws (6).

**PARTS :**

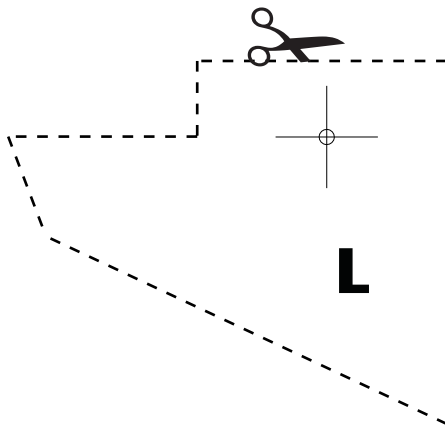
Pos.	Ref.		Cant.	
1	260933		1	Paper template
2	260931		1	Rod support
3	303020		6	Ø8 - Washer
4	304081		2	M8 x 20 DIN 7380 - Screw
5	260932		1	KIT TOP
6	304039		4	M8 x 40 DIN 7380 - Screw



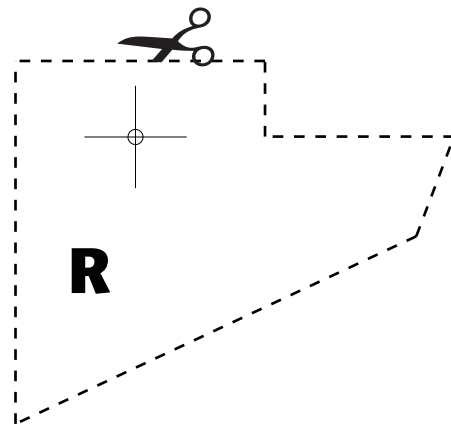
**L**



**R**



**L**



**R**