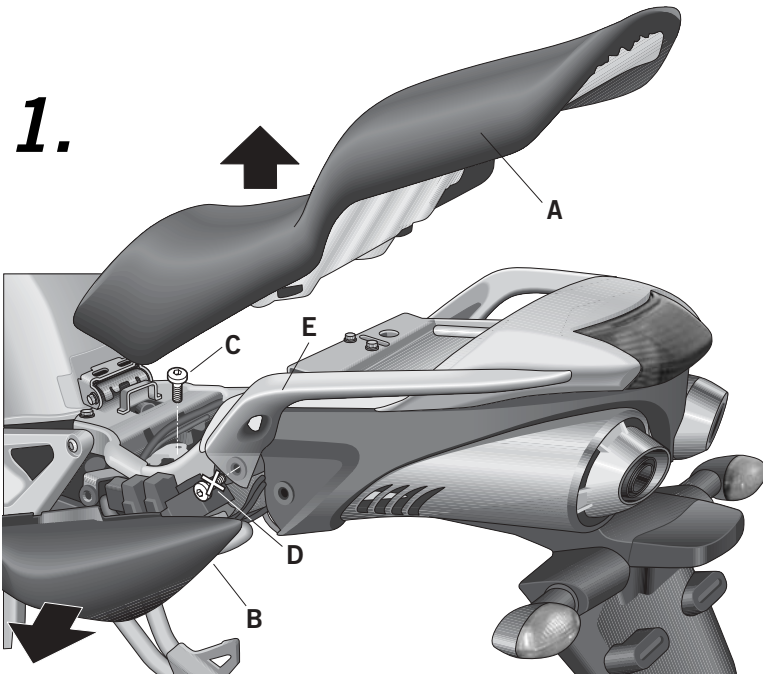


**Advice for correct fitting of the kit:** Do not fully tighten the screws until sure that the kit is correctly positioned and aligned. **Note:** If your motorbike already has the KIT SIDE (YOFZ64SF), first take it apart and assemble the KIT TOP (1), loosening in this case the screws (10), the four washers (8), the plastic handles (4L) (4R) and (5L) (5R). Since you can use the KIT SIDE ones. Once you have done this, continue with the assembly.

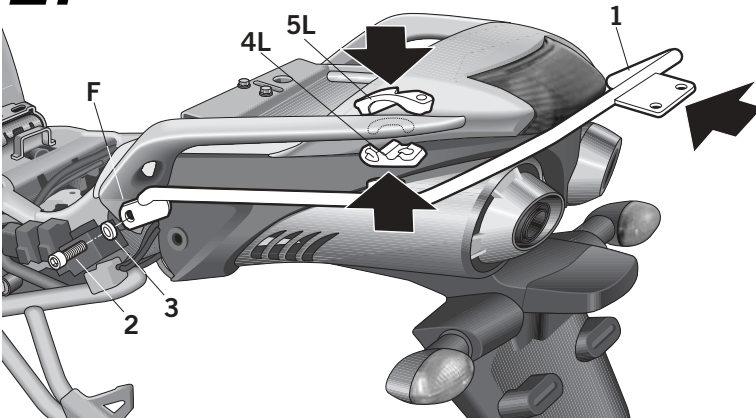
**YAMAHA FAZER 600 '04**  
KIT TOPMASTER  
YOFZ64ST

**1.**

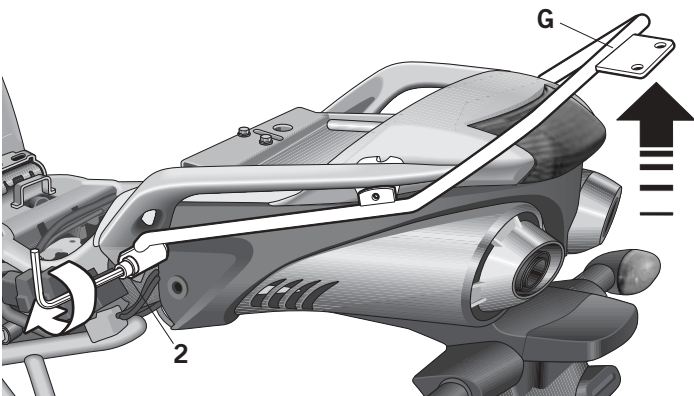


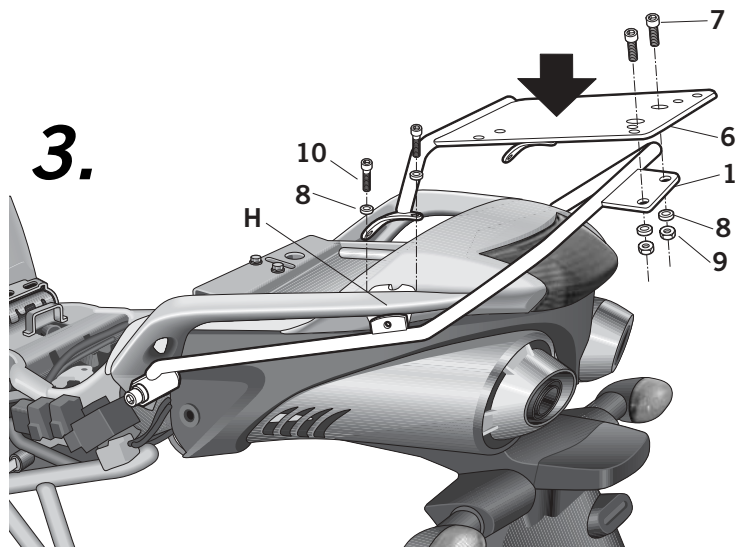
Take apart the seat (A). Take apart the side streamlining panels (B) with screws (C). Take apart and loosen the screws (D) of the rear hand strap (E).

**2.**

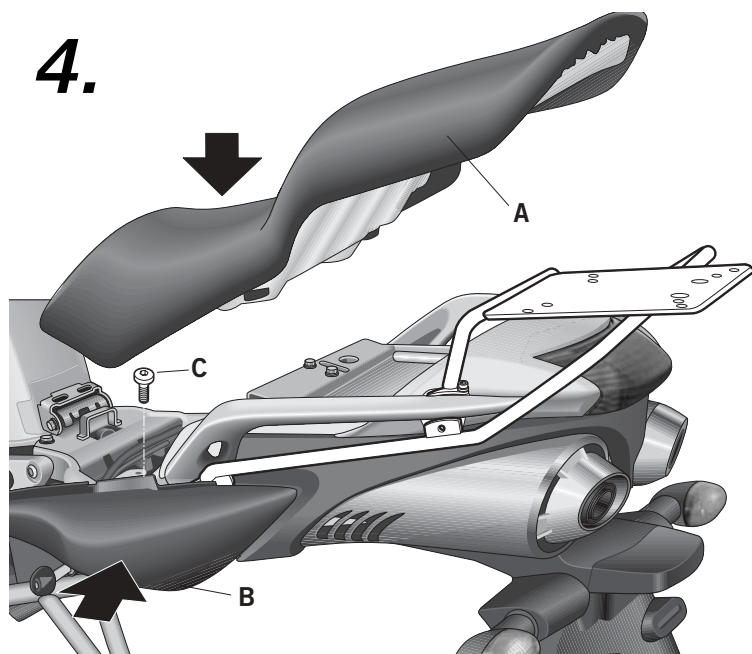


Assemble the KIT TOP support (1) in zone (F), with the screw (2) and the washers (3). Position the straps (4L) and (5L) as shown in the diagram (showing the left side assembled on the motorbike) and the straps on the right side (4R) and (5R). Note: In order for the pieces (4L), (5L), (4R) and (5R) to tighten well, apply upwards pressure from the KIT TOP grill support (1) as shown in the detail (G) and tighten the screw (2).





Then assemble the KIT TOP grill support (6) in zone (G), with the screws (7), washers (8) and nuts (9) and in zone (H), with the group of straps (4L-4R)(5L-5R), the screws (10) and washers (8).



Reassemble the side streamlining panels (B) with the screws (C). Assemble the seat (A).

**PARTS :**

| Pos. | Ref.   |  | Cant. |                           |
|------|--------|--|-------|---------------------------|
| 1    | 260906 |  | 1     | KIT TOP                   |
| 2    | 304053 |  | 2     | M8x30 DIN 7380 - Screw    |
| 3    | 303020 |  | 2     | Ø8 - Washer               |
| 4l   | 260910 |  | 1     | Lower Left Strap          |
| 4r   | 260908 |  | 1     | Lower Right Strap         |
| 5l   | 260911 |  | 1     | Upper Left Strap          |
| 5r   | 260909 |  | 1     | Upper Right Strap         |
| 6    | 260907 |  | 1     | Kit top grill support     |
| 7    | 304091 |  | 2     | M6 x 20 DIN 7991- Screw - |
| 8    | 303021 |  | 6     | Ø6 - Washer               |
| 9    | 302021 |  | 2     | Self-blocking Nut M8      |
| 10   | 304201 |  | 4     | M6x40 DIN 7380 - Screw    |